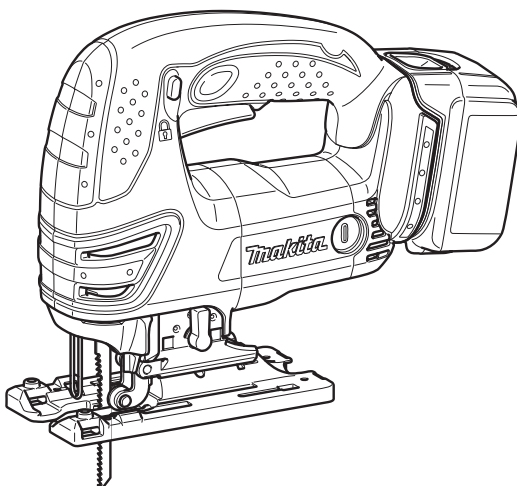
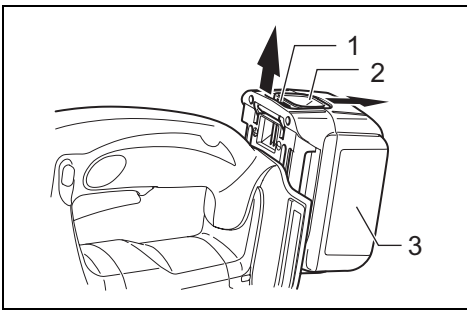


# Makita®

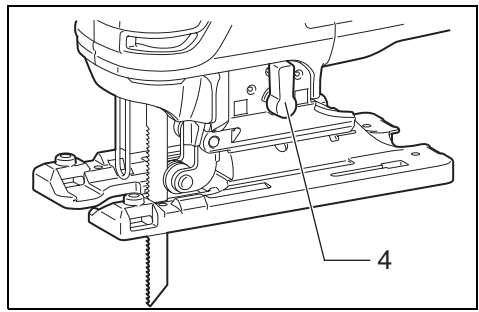
<b>GB</b>	<b>Cordless Jig Saw</b>	<b>Instruction Manual</b>
<b>F</b>	<b>Scie sauteuse sans fil</b>	<b>Manuel d'instructions</b>
<b>D</b>	<b>Akku-Stichsäge</b>	<b>Betriebsanleitung</b>
<b>I</b>	<b>Seghetto alternativo a batteria</b>	<b>Istruzioni per l'uso</b>
<b>NL</b>	<b>Snoerloze figuurzaag</b>	<b>Gebruiksaanwijzing</b>
<b>E</b>	<b>Sierra de cacadora a batería</b>	<b>Manual de instrucciones</b>
<b>P</b>	<b>Serra de vaivém a bateria</b>	<b>Manual de instruções</b>
<b>DK</b>	<b>Akku-pendulstiksav</b>	<b>Brugsanvisning</b>
<b>S</b>	<b>Sladdlös sticksåg</b>	<b>Bruksanvisning</b>
<b>N</b>	<b>Batteridrevet løvsag</b>	<b>Bruksanvisning</b>
<b>FIN</b>	<b>Akkukäyttöinen kuviosaha</b>	<b>Käyttöohje</b>
<b>GR</b>	<b>Ασύρματο παλινδρομικό πριόνι</b>	<b>Οδηγίες χρήσεως</b>

**BJV140**  
**BJV180**

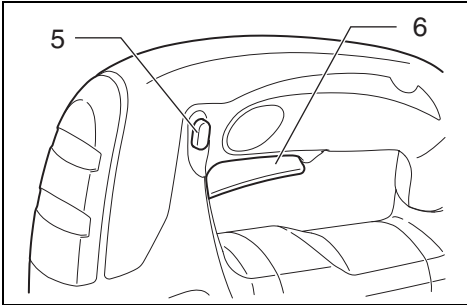




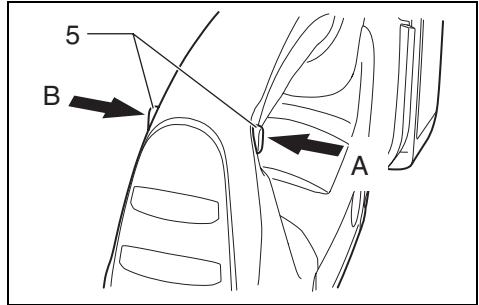
1



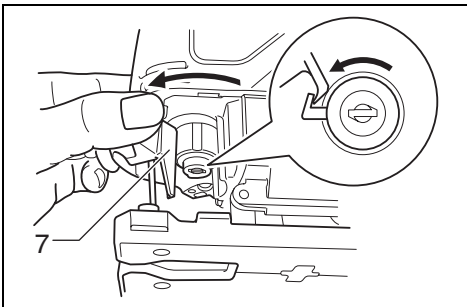
2



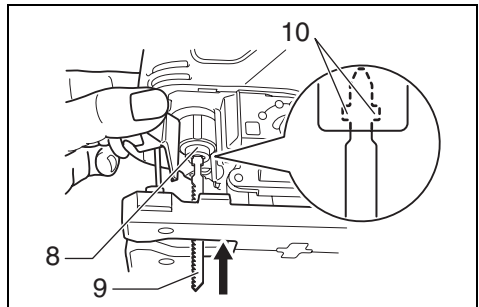
3



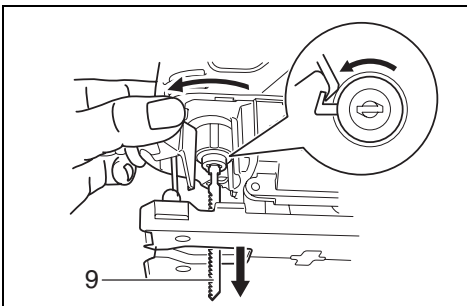
4



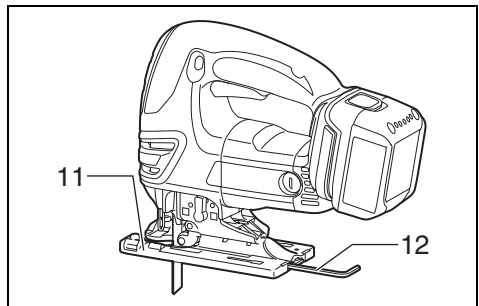
5



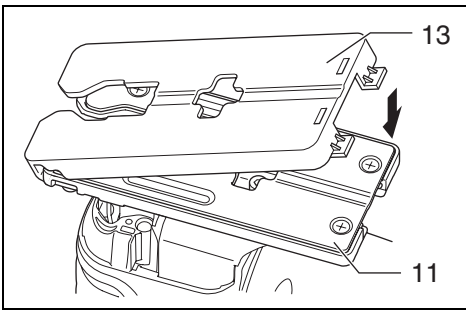
6



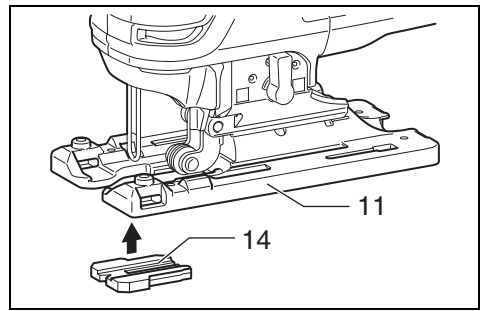
7



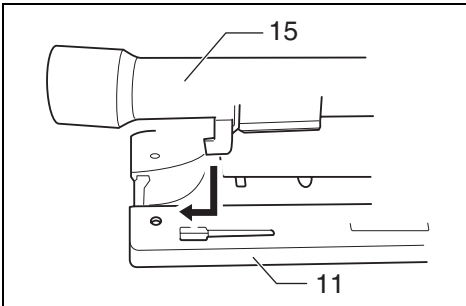
8



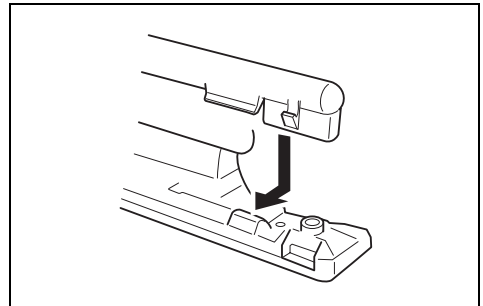
9



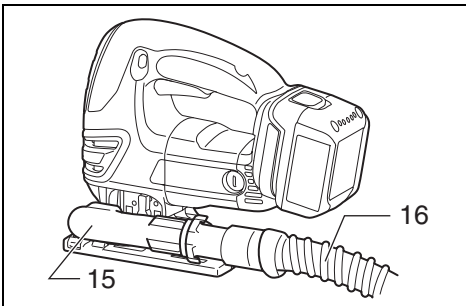
10



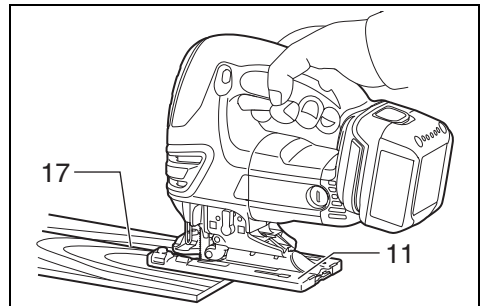
11



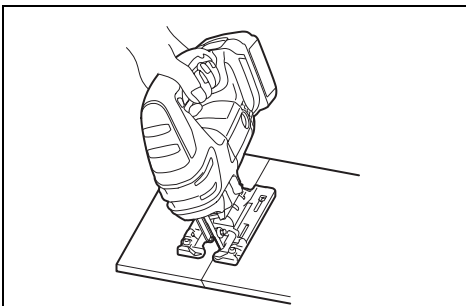
12



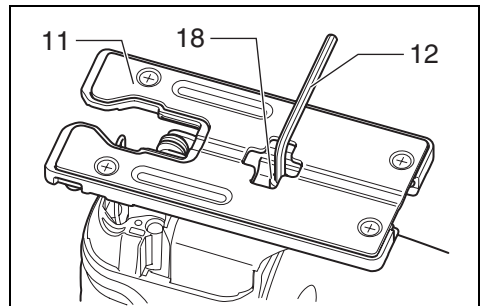
13



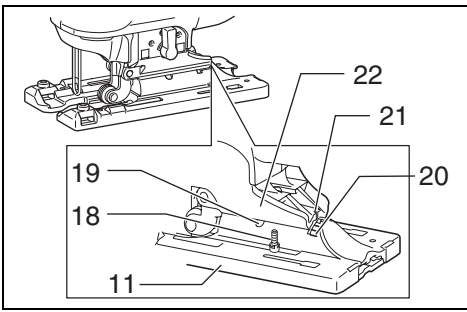
14



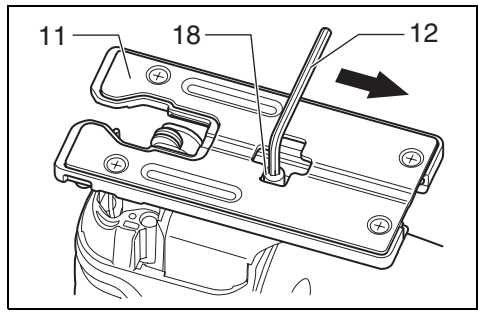
15



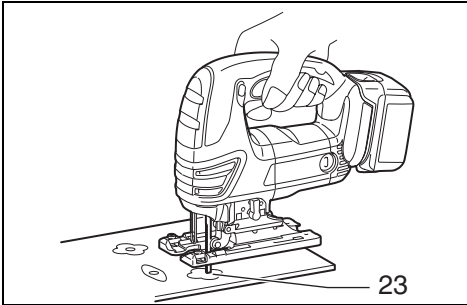
16



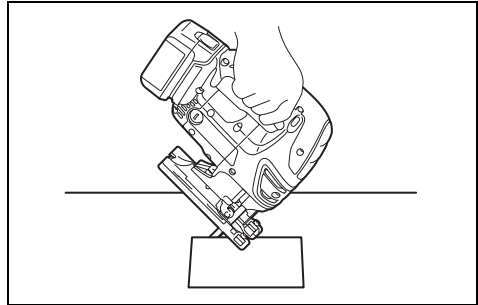
17



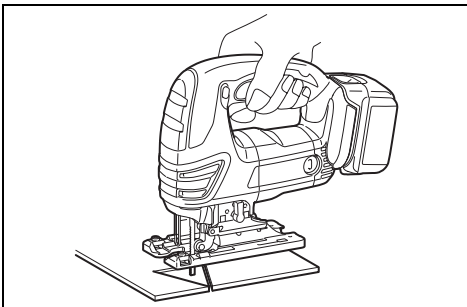
18



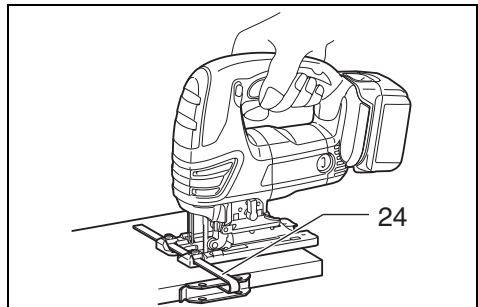
19



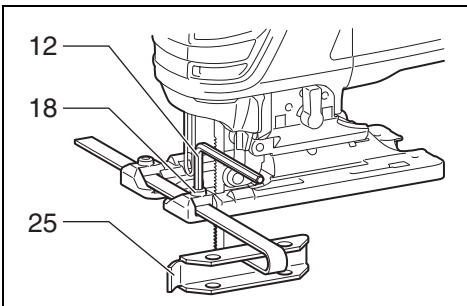
20



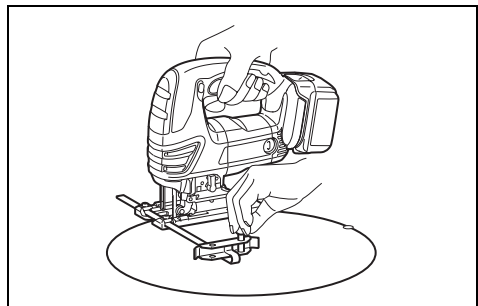
21



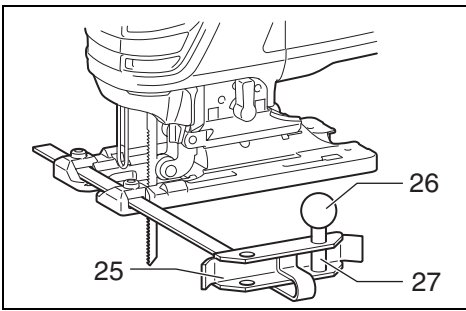
22



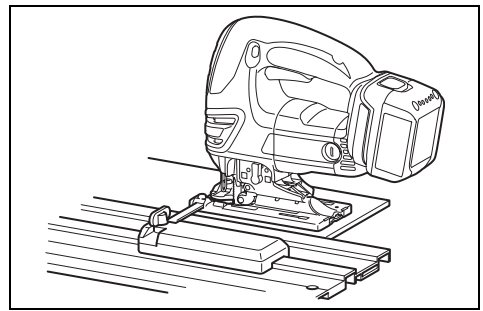
23



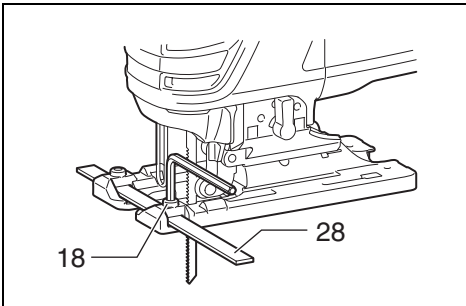
24



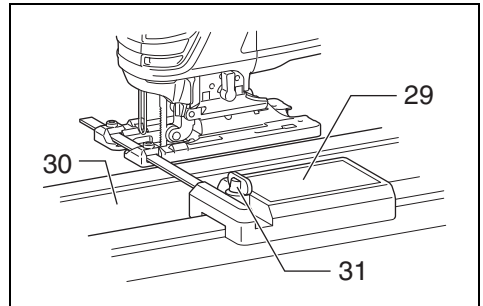
25



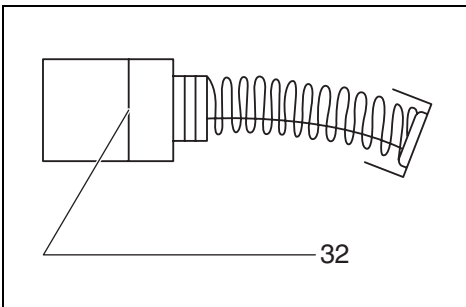
26



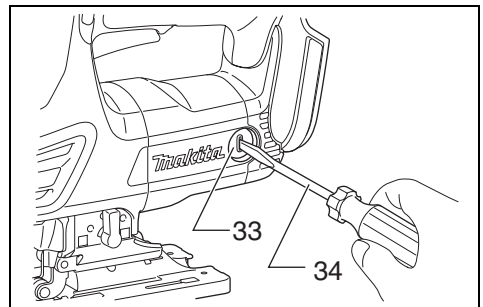
27



28



29



30

## ENGLISH

### Explanation of general view

1	Red part	13	Cover plate	25	Fence guide
2	Button	14	Anti-splintering device	26	Threaded knob
3	Battery cartridge	15	Dust nozzle	27	Circular guide pin
4	Cutting action changing lever	16	Hose for vacuum cleaner	28	Rule bar
5	Lock-off button	17	Cutting line	29	Guide rail adapter
6	Switch trigger	18	Bolt	30	Guide rail
7	Tool opener	19	Bevel slot	31	Screw
8	Blade clamp	20	Graduations	32	Limit mark
9	Jig saw blade	21	V-notch	33	Brush holder cap
10	Protrusions	22	Gear housing	34	Screwdriver
11	Base	23	Starting hole		
12	Hex wrench	24	Rip fence		

### SPECIFICATIONS

Model		BJV140	BJV180
Length of stroke		26 mm	26 mm
Max. Cutting capacities	Wood	135 mm	135 mm
	Mild steel	10 mm	10 mm
	Aluminum	20 mm	20 mm
Strokes per minute (min <sup>-1</sup> )		0 – 2,600	0 – 2,600
Overall length		255 mm	257 mm
Net weight		2.7 kg	2.8 kg
Rated voltage		D.C. 14.4 V	D.C. 18 V

- Due to our continuing program of research and development, the specifications herein are subject to change without notice.
- Note: Specifications may differ from country to country.

#### Intended use

The tool is intended for the sawing of wood, plastic and metal materials. As a result of the extensive accessory and saw blade program, the tool can be used for many purposes and is very well suited for curved or circular cuts.

#### Safety hints

For your own safety, please refer to the enclosed safety instructions.

### SPECIFIC SAFETY RULES

GEB016-1

**DO NOT let comfort or familiarity with product (gained from repeated use) replace strict adherence to jig saw safety rules. If you use this tool unsafely or incorrectly, you can suffer serious personal injury.**

1. **Hold power tools by insulated gripping surfaces when performing an operation where the cutting tool may contact hidden wiring or its own cord.** Contact with a "live" wire will make exposed metal parts of the tool "live" and shock the operator.
2. **Use clamps or another practical way to secure and support the workpiece to a stable platform.** Holding the work by hand or against your body leaves it unstable and may lead to loss of control.
3. **Always use safety glasses or goggles.** Ordinary eye or sun glasses are NOT safety glasses.
4. **Avoid cutting nails. Inspect workpiece for any nails and remove them before operation.**
5. **Do not cut oversize workpiece.**
6. **Check for the proper clearance beyond the workpiece before cutting so that the blade will not strike the floor, workbench, etc.**
7. **Hold the tool firmly.**
8. **Make sure the blade is not contacting the workpiece before the switch is turned on.**
9. **Keep hands away from moving parts.**

10. Do not leave the tool running. Operate the tool only when hand-held.
11. Always switch off and wait for the blade to come to a complete stop before removing the blade from the workpiece.
12. Do not touch the blade or the workpiece immediately after operation; they may be extremely hot and could burn your skin.
13. Do not operate the tool at no-load unnecessarily.
14. Some material contains chemicals which may be toxic. Take caution to prevent dust inhalation and skin contact. Follow material supplier safety data.
15. Always use the correct dust mask/respirator for the material and application you are working with.

## SAVE THESE INSTRUCTIONS.

### WARNING:

MISUSE or failure to follow the safety rules stated in this instruction manual may cause serious personal injury.

## IMPORTANT SAFETY INSTRUCTIONS FOR BATTERY CARTRIDGE

ENC007-2

1. Before using battery cartridge, read all instructions and cautionary markings on (1) battery charger, (2) battery, and (3) product using battery.
2. Do not disassemble battery cartridge.
3. If operating time has become excessively shorter, stop operating immediately. It may result in a risk of overheating, possible burns and even an explosion.
4. If electrolyte gets into your eyes, rinse them out with clear water and seek medical attention right away. It may result in loss of your eyesight.
5. Do not short the battery cartridge:
  - (1) Do not touch the terminals with any conductive material.
  - (2) Avoid storing battery cartridge in a container with other metal objects such as nails, coins, etc.

- (3) Do not expose battery cartridge to water or rain.

A battery short can cause a large current flow, overheating, possible burns and even a breakdown.

6. Do not store the tool and battery cartridge in locations where the temperature may reach or exceed 50°C (122°F).
7. Do not incinerate the battery cartridge even if it is severely damaged or is completely worn out. The battery cartridge can explode in a fire.
8. Be careful not to drop or strike battery.

## SAVE THESE INSTRUCTIONS.

### Tips for maintaining maximum battery life

1. Charge the battery cartridge before completely discharged.  
Always stop tool operation and charge the battery cartridge when you notice less tool power.
2. Never recharge a fully charged battery cartridge. Overcharging shortens the battery service life.
3. Charge the battery cartridge with room temperature at 10°C – 40°C (50°F – 104°F). Let a hot battery cartridge cool down before charging it.

## FUNCTIONAL DESCRIPTION

### CAUTION:

- Always be sure that the tool is switched off and the battery cartridge is removed before adjusting or checking function on the tool.

### Installing or removing battery cartridge (Fig. 1)

- Always switch off the tool before insertion or removal of the battery cartridge.
- To remove the battery cartridge, withdraw it from the tool while sliding the button on the front of the cartridge.
- To insert the battery cartridge, align the tongue on the battery cartridge with the groove in the housing and slip it into place. Always insert it all the way until it locks in place with a little click. If you can see the red part on the upper side of the button, it is not locked completely. Insert it fully until the red part cannot be seen. If not, it may accidentally fall out of the tool, causing injury to you or someone around you.
- Do not use force when inserting the battery cartridge. If the cartridge does not slide in easily, it is not being inserted correctly.

### Selecting the cutting action (Fig. 2)

This tool can be operated with an orbital or a straight line (up and down) cutting action. The orbital cutting action thrusts the blade forward on the cutting stroke and greatly increases cutting speed.

To change the cutting action, just turn the cutting action changing lever to the desired cutting action position.

Refer to the table to select the appropriate cutting action.

Position	Cutting action	Applications
0	Straight line cutting action	For cutting mild steel, stainless steel and plastics. For clean cuts in wood and plywood.
I	Small orbit cutting action	For cutting mild steel, aluminum and hard wood.
II	Medium orbit cutting action	For cutting wood and plywood. For fast cutting in aluminum and mild steel.
III	Large orbit cutting action	For fast cutting in wood and plywood.

## Switch action (Fig. 3 & 4)

### CAUTION:

- Before plugging in the tool, always check to see that the switch trigger actuates properly and returns to the “OFF” position when released.
- When not operating the tool, depress the lock-off button from A side to lock the switch trigger in the OFF position.

To prevent the switch trigger from accidentally pulled, the lock-off button is provided.

To start the tool, depress the lock-off button from B side and pull the switch trigger.

Tool speed is increased by increasing pressure on the switch trigger. Release the switch trigger to stop. After use, always press in the lock-off button from A side.

## Lighting up the lamps

### CAUTION:

- Do not look in the light or see the source of light directly.

To turn on the lamp, pull the trigger. Release the trigger to turn it off.

### NOTE:

- Use a dry cloth to wipe the dirt off the lens of lamp. Be careful not to scratch the lens of lamp, or it may lower the illumination.

## ASSEMBLY

### CAUTION:

- Always be sure that the tool is switched off and the battery cartridge is removed before carrying out any work on the tool.

## Installing or removing saw blade

### CAUTION:

- Always clean out all chips or foreign matter adhering to the blade and/or blade holder. Failure to do so may cause insufficient tightening of the blade, resulting in a serious injury.
- Do not touch the blade or the workpiece immediately after operation; they may be extremely hot and could burn your skin.
- Tighten the saw blade securely. Failure to do so may cause a serious injury.
- When you remove the saw blade, be careful not to hurt your fingers with the top of the blade or the tips of workpiece.

To install the blade, open the tool opener to the position shown in the figure. (Fig. 5)

Keeping that situation, insert the saw blade into the blade clamp as far as the two protrusions of the blade can not be seen. (Fig. 6)

Return the tool opener to its original position. After installing the saw blade, always make sure that the blade is securely held in place by trying to pull it out.

### CAUTION:

- Do not open the tool opener excessively, or it may cause tool damage.

To remove the blade, open the tool opener to the position shown in the figure. (Fig. 7) Pull the saw blade out toward the base.

### NOTE:

- Occasionally lubricate the roller.

## Hex wrench storage (Fig. 8)

When not in use, store the hex wrench as shown in the figure to keep it from being lost.

## Cover plate (Fig. 9)

Use the cover plate when cutting decorative veneers, plastics, etc. It protects sensitive or delicate surfaces from damage. Fit it on the back of the tool base.

## Anti-splintering device (Fig. 10)

For splinter-free cuts, the anti-splintering device can be used. To install the anti-splintering device, move the tool base all the way forward and fit it from the back of tool base. When you use the cover plate, install the anti-splintering device onto the cover plate.

### CAUTION:

- The anti-splintering device cannot be used when making bevel cuts.

## Dust extraction

The dust nozzle (optional accessory) is recommended to perform clean cutting operations. (Fig. 11)

To attach the dust nozzle on the tool, insert the hook of dust nozzle into the hole in the base.

The dust nozzle can be installed on either left or right side of the base. (Fig. 12)

Then connect a Makita vacuum cleaner to the dust nozzle. (Fig. 13)

## OPERATION

### CAUTION:

- Always hold the base flush with the workpiece. Failure to do so may cause blade breakage, resulting in a serious injury. (Fig. 14)

Turn the tool on without the blade making any contact and wait until the blade attains full speed. Then rest the base flat on the workpiece and gently move the tool forward along the previously marked cutting line.

### NOTE:

- If the tool is operated continuously until the battery cartridge has discharged, allow the tool to rest for 15 minutes before proceeding with a fresh battery.

When cutting curves, advance the tool very slowly.

## Bevel cutting (Fig. 15)

### CAUTION:

- Always be sure that the tool is switched off and the battery cartridge is removed before tilting the base.

With the base tilted, you can make bevel cuts at any angle between 0° and 45° (left or right).

Loosen the bolt on the back of the base with the hex wrench. Move the base so that the bolt is positioned in the center of the bevel slot in the base. (Fig. 16)

Tilt the base until the desired bevel angle is obtained. The V-notch of the gear housing indicates the bevel angle by graduations. Then tighten the bolt firmly to secure the base. (Fig. 17)

## Front flush cuts

Loosen the bolt on the back of the base with the hex wrench and slide the base all the way back. Then tighten the bolt to secure the tool base. (Fig. 18)



## Cutouts

Cutouts can be made with either of two methods A or B.

### A) Boring a starting hole: (Fig. 19)

For internal cutouts without a lead-in cut from an edge, pre-drill a starting hole 12 mm or more in diameter. Insert the blade into this hole to start your cut.

### B) Plunge cutting: (Fig. 20)

You need not bore a starting hole or make a lead-in cut if you carefully do as follows.

1. Tilt the tool up on the front edge of the base, with the blade point positioned just above the workpiece surface.
2. Apply pressure to the tool so that the front edge of the base will not move when you switch on the tool and gently lower the back end of the tool slowly.
3. As the blade pierces the workpiece, slowly lower the base of the tool down onto the workpiece surface.
4. Complete the cut in the normal manner.

## Finishing edges (Fig. 21)

To trim edges or make dimensional adjustments, run the blade lightly along the cut edges.

## Metal cutting

Always use a suitable coolant (cutting oil) when cutting metal. Failure to do so will cause significant blade wear. The underside of the workpiece can be greased instead of using a coolant.

## Rip fence set (optional accessory)

### CAUTION:

- Always be sure that the tool is switched off and the battery cartridge is removed before installing or removing accessories.

### 1. Straight cuts (Fig. 22 & 23)

When repeatedly cutting widths of 160 mm or less, use of the rip fence will assure fast, clean, straight cuts. To install, insert the rip fence into the rectangular hole on the side of the tool base with the fence guide facing down. Slide the rip fence to the desired cutting width position, then tighten the bolt to secure it.

### 2. Circular cuts (Fig. 24 & 25)

When cutting circles or arcs of 170 mm or less in radius, install the rip fence as follows.

Insert the rip fence into the rectangular hole on the side of the base with the fence guide facing up. Insert the circular guide pin through either of the two holes on the fence guide. Screw the threaded knob onto the pin to secure the pin.

Now slide the rip fence to the desired cutting radius, and tighten the bolt to secure it in place. Then move the base all the way forward.

### NOTE:

- Always use blades No. B-17, B-18, B-26 or B-27 when cutting circles or arcs.

## Guide rail adapter set (accessory) (Fig. 26)

When cutting parallel and uniform width or cutting straight, the use of the guide rail and the guide rail adapter will assure the production of fast and clean cuts.

To install the guide rail adapter, insert the rule bar into the square hole of the base as far as it goes. Secure the bolt with the hex wrench securely. (Fig. 27)

Install the guide rail adapter on the rail of the guide rail. Insert the rule bar into the square hole of the guide rail adapter. Put the base to the side of the guide rail, and secure the bolt securely. (Fig. 28)

### CAUTION:

- Always use blades No. B-8, B-13, B-16, B-17 or B-18 when using the guide rail and the guide rail adapter.

## MAINTENANCE

### CAUTION:

- Always be sure that the tool is switched off and the battery cartridge is removed before attempting to perform inspection or maintenance.

## Replacing carbon brushes (Fig. 29 & 30)

Remove and check the carbon brushes regularly. Replace when they wear down to the limit mark. Keep the carbon brushes clean and free to slip in the holders. Both carbon brushes should be replaced at the same time. Use only identical carbon brushes.

Use a screwdriver to remove the brush holder caps. Take out the worn carbon brushes, insert the new ones and secure the brush holder caps.

To maintain product SAFETY and RELIABILITY, repairs, any other maintenance or adjustment should be performed by Makita Authorized Service Centers, always using Makita replacement parts.

## ACCESSORIES

### CAUTION:

- These accessories or attachments are recommended for use with your Makita tool specified in this manual. The use of any other accessories or attachments might present a risk of injury to persons. Only use accessory or attachment for its stated purpose.

If you need any assistance for more details regarding these accessories, ask your local Makita service center.

- Jig saw blades
- Hex wrench 4
- Rip fence (guide rule) set
- Guide rail adapter set
- Guide rail set
- Anti-splintering device
- Cover plate
- Dust nozzle
- Various type of Makita genuine batteries and chargers

## Descriptif

1	Partie rouge	12	Clé hexagonale	24	Guide parallèle
2	Bouton	13	Plaque de recouvrement	25	Guide de garde
3	Batterie	14	Dispositif anti-éclat	26	Bouton fileté
4	Lever de sélection du type de coupe	15	Raccord d'aspiration	27	Goupille de guide circulaire
5	Bouton de sécurité	16	Tuyau d'aspirateur	28	Règle
6	Gâchette	17	Trait de coupe	29	Adaptateur pour guide de délignage
7	Ouverture de l'outil	18	Boulon	30	Guide de délignage
8	Collier de serrage de la lame	19	Fente angulaire	31	Vis
9	Lame de scie sauteuse	20	Graduations	32	Trait de limite d'usure
10	Saillies	21	Entaille en V	33	Bouchons de porte-charbon
11	Base	22	Carter d'engrenages	34	Tournevis
		23	Trou d'amorce		

## SPECIFICATIONS

Modèle		BJV140	BJV180
Longueur de course		26 mm	26 mm
Capacité de coupe max.	Bois	135 mm	135 mm
	Acier doux	10 mm	10 mm
	Aluminium	20 mm	20 mm
Nombre de courses/mn (min <sup>-1</sup> )		0 – 2 600	0 – 2 600
Longueur hors tout		255 mm	257 mm
Poids net		2,7 kg	2,8 kg
Tension nominale		14,4 V CC	18 V CC

• Etant donné l'évolution constante de notre programme de recherche et de développement, les spécifications contenues dans ce manuel sont sujettes à modification sans préavis.

• Note : Les spécifications peuvent varier suivant les pays.

### Utilisations

L'outil est conçu pour la coupe des matériaux de bois, de plastique et de métal. L'étendue de la gamme d'accessoires et de lames disponibles permet d'utiliser l'outil à des fins multiples et le rend tout particulièrement adéquat aux coupes curvilignes et circulaires.

### Consignes de sécurité

Pour votre propre sécurité, reportez-vous aux consignes de sécurité qui accompagnent l'outil.

### CONSIGNES DE SÉCURITÉ SPÉCIFIQUES

**NE laissez PAS une impression de confort ou d'habitude de l'outil (acquise par une utilisation répétée) remplacer une adhérence stricte aux consignes de sécurité de la scie sauteuse. Si vous n'utilisez pas cet outil électrique de façon sûre et adéquate, vous courez un risque de blessure grave.**

1. **Saisissez les outils électriques par leurs surfaces de poigne isolées lorsque vous effectuez une opération au cours de laquelle l'outil tranchant peut entrer en contact avec des fils cachés ou avec son propre cordon d'alimentation. Le contact avec un fil sous tension mettra les parties métalliques exposées de l'outil sous tension, causant un choc électrique chez l'utilisateur.**
2. **Utilisez des dispositifs de serrage ou un autre moyen pratique pour fixer et soutenir la pièce sur une surface stable. Si vous la tenez avec la main ou l'appuyez contre une partie du corps, la pièce sera instable et vous risquez d'en perdre la maîtrise.**
3. **Utilisez toujours des lunettes de protection. Des lunettes ordinaires ou de soleil NE sont PAS des lunettes de protection.**
4. **Attention aux clous. Avant l'utilisation, vérifiez la présence de clous sur la pièce et, le cas échéant, retirez-les.**
5. **Ne pas scier d'éléments dont le diamètre dépasse la capacité de coupe de la scie.**
6. **Vérifiez s'il y a un espace suffisant sous la pièce à travailler avant la coupe, afin que la lame ne frappe pas le plancher, l'établi, etc.**
7. **Tenir fermement l'outil en main.**
8. **Vérifier que la lame n'est pas en contact avec l'élément à scier avant de mettre la scie sauteuse en marche.**
9. **Ne jamais approcher les mains des organes mobiles.**

10. Ne pas laisser l'outil fonctionner tout seul. Ne le mettre en marche que lorsque vous l'avez en main.
11. Couper l'alimentation et attendre que la lame soit complètement arrêtée avant de dégager la lame d'un élément partiellement scié.
12. Ne jamais toucher directement la lame immédiatement après avoir scié en raison des risques de brûlure.
13. Ne faites pas fonctionner inutilement l'outil sans charge.
14. Certains matériaux contiennent des produits chimiques qui peuvent être toxiques. Prenez les précautions nécessaires pour éviter que la poussière dégagée lors du travail ne soit inhalée ou n'entre en contact avec la peau. Suivez les consignes de sécurité du fournisseur du matériau.
15. Utilisez toujours un masque antipoussières ou un masque filtrant approprié au matériau à travailler et à l'outil utilisé.

## CONSERVEZ CES INSTRUCTIONS.

### AVERTISSEMENT :

La MAUVAISE UTILISATION de l'outil ou l'ignorance des consignes de sécurité indiquées dans ce manuel d'instructions peut entraîner une blessure grave.

## PRÉCAUTIONS IMPORTANTES POUR LA BATTERIE

1. Avant d'utiliser la batterie, lisez toutes les instructions et précautions relatives (1) au chargeur de batterie, (2) à la batterie, et (3) à l'outil utilisant la batterie.
2. Ne démontez pas la batterie.
3. Cessez immédiatement l'utilisation si le temps de fonctionnement devient excessivement court. Il y a risque de surchauffe, de brûlures, voire d'explosion.
4. Si l'électrolyte pénètre dans vos yeux, rincez-les à l'eau claire et consultez immédiatement un médecin. Il y a risque de perte de la vue.
5. Ne court-circuitez pas la batterie :
  - (1) Ne touchez les bornes avec aucun matériau conducteur.
  - (2) Évitez de ranger la batterie dans un conteneur avec d'autres objets métalliques, par exemple des clous, des pièces de monnaie, etc.
  - (3) N'exposez pas la batterie à l'eau ou à la pluie. Un court-circuit de la batterie pourrait provoquer un fort courant, une surchauffe, parfois des brûlures et même une panne.
6. Ne rangez pas l'outil ou la batterie dans des endroits où la température risque d'atteindre ou de dépasser 50°C.
7. Ne jetez pas la batterie au feu même si elle est sérieusement endommagée ou complètement épuisée. La batterie peut exploser au contact du feu.
8. Prenez garde d'échapper ou de heurter la batterie.

## CONSERVEZ CES INSTRUCTIONS.

## Conseils pour assurer la durée de vie optimale de la batterie

1. Rechargez la batterie avant qu'elle ne soit complètement déchargée. Arrêtez toujours l'outil et rechargez la batterie quand vous remarquez que la puissance de l'outil diminue.
2. Ne rechargez jamais une batterie complètement chargée. La surcharge réduit la durée de service de la batterie.
3. Chargez la batterie alors que la température de la pièce se trouve entre 10°C et 40°C. Avant de charger une batterie chaude, laissez-la refroidir.

## DESCRIPTION DU FONCTIONNEMENT

### ATTENTION :

- Assurez-vous toujours que l'outil est hors tension et que sa batterie est retirée avant de l'ajuster ou de vérifier son fonctionnement.

### Installation ou retrait de la batterie (Fig. 1)

- Mettez toujours l'outil hors tension avant d'insérer ou de retirer la batterie.
- Pour retirer la batterie, sortez-la de l'outil tout en faisant glisser le bouton à l'avant de la batterie.
- Pour insérer la batterie, alignez la languette de la batterie avec la rainure située dans le carter, puis faites-la glisser en place. Insérez-la toujours à fond, jusqu'à ce qu'un léger déclic se fasse entendre. Si vous pouvez voir la partie rouge du côté supérieur du bouton, la batterie n'est pas complètement verrouillée. Insérez-la entièrement, jusqu'à ce que la partie rouge ne soit plus visible. Sinon, elle pourrait tomber accidentellement de l'outil, au risque de vous blesser ou de blesser quelqu'un se trouvant près de vous.
- N'appliquez pas une force excessive lors de l'insertion de la batterie. Si la batterie ne glisse pas aisément, c'est qu'elle n'est pas insérée correctement.

## Sélection du type de coupe (Fig. 2)

L'outil peut effectuer des coupes orbitales ou des coupes en ligne droite (vers le haut et vers le bas). La coupe orbitale lance la lame vers l'avant sur la course de coupe et améliore grandement la vitesse de coupe.

Pour modifier le type de coupe, tournez simplement le levier de sélection du type de coupe sur la position correspondant au type de coupe voulu. Pour sélectionner le type de coupe, reportez-vous au tableau ci-dessous.

Position	Type de coupe	Applications
0	Coupe en ligne droite	Pour la coupe d'acier doux, d'acier inoxydable et de matériaux en plastique. Pour des coupes nettes dans du bois et du contreplaqué.
I	Coupe à petite orbite	Pour la coupe d'acier doux, d'aluminium et de bois dur.
II	Coupe à orbite moyenne	Pour la coupe de bois et de contreplaqué. Pour des coupes rapides dans de l'aluminium et de l'acier doux.
III	Coupe à grande orbite	Pour la coupe rapide de bois et de contreplaqué.

## Interrupteur (Fig. 3 et 4)

ATTENTION :

- Avant de brancher l'outil, vérifiez toujours que la gâchette fonctionne correctement et qu'elle revient sur la position "OFF" quand vous la relâchez.
- Une fois l'utilisation de l'outil terminée, enfoncez le bouton de sécurité du côté A pour verrouiller la gâchette en position d'arrêt.

Un bouton de sécurité est fourni pour prévenir l'activation accidentelle de la gâchette.

Pour faire démarrer l'outil, enfoncez le bouton de sécurité du côté B et appuyez sur la gâchette.

L'augmentation de la pression exercée sur la gâchette fait accélérer l'outil. Pour arrêter l'outil, relâchez la gâchette. Après l'utilisation, enfoncez toujours le bouton de sécurité du côté A.

## Allumage de la lampe

ATTENTION :

- Evitez de regarder directement le faisceau lumineux ou sa source.

Pour allumer la lampe, appuyez sur la gâchette. Pour l'éteindre, relâchez la gâchette.

NOTE :

- Utilisez un chiffon sec pour essuyer la saleté qui recouvre la lentille de la lampe. Prenez garde de rayer la lentille de la lampe, pour éviter une diminution de l'éclairage.

## ASSEMBLAGE

ATTENTION :

- Assurez-vous toujours que l'outil est hors tension et que sa batterie est retirée avant d'effectuer tout travail dessus.

## Pose et dépose de la lame de scie sauteuse

ATTENTION :

- Enlevez toujours les copeaux et autres corps étrangers qui adhèrent à la lame et/ou à la tige porte-lame. Sinon, la lame risque de ne pas être suffisamment serrée, ce qui pourrait provoquer de graves blessures.
- Ne touchez ni la lame ni la pièce travaillée immédiatement après l'opération ; elles peuvent être extrêmement chaudes et brûler votre peau.
- Serrez la lame fermement. Sinon, il y a risque de blessure grave.
- Lors de la dépose de la lame, prenez garde de vous blesser aux doigts avec l'extrémité de la lame ou les bouts de la pièce.

Pour installer la lame, déployez l'ouverture de l'outil sur la position indiquée sur l'illustration. (Fig. 5)

En maintenant l'ouverture sur cette position, insérez la lame dans le collier de serrage, jusqu'à ce que les deux saillies de la lame ne soient plus visibles. (Fig. 6)

Remettez l'ouverture de l'outil sur sa position initiale. Une fois la lame posée, tirez dessus pour vous assurer qu'elle demeure fermement en place.

ATTENTION :

- Ne déployez pas l'ouverture de l'outil de manière excessive, pour éviter d'endommager l'outil.

Pour retirer la lame, déployez l'ouverture de l'outil sur la position indiquée sur l'illustration. (Fig. 7) Retirez la lame en la tirant vers la base de l'outil.

NOTE :

- Lubrifiez de temps en temps la roulette.

## Rangement de la clé hexagonale (Fig. 8)

Après l'utilisation de la clé hexagonale, rangez-la tel qu'indiqué sur l'illustration pour éviter de la perdre.

## Plaque de recouvrement (Fig. 9)

Utilisez la plaque de recouvrement lors de la coupe des matériaux décoratifs de placage, de plastique, etc. Cette plaque protège contre les dommages les surfaces fragiles ou délicates. Installez-la par l'arrière de la base de l'outil.

### Dispositif anti-éclat (Fig. 10)

L'utilisation du dispositif anti-éclat permet d'obtenir des coupes sans éclats. Pour l'installer, déplacez la base de l'outil complètement vers l'avant, puis installez le dispositif par l'arrière de la base de l'outil. Lorsque vous utilisez la plaque de recouvrement, installez le dispositif anti-éclat sur cette dernière.

ATTENTION :

- Vous ne pourrez pas utiliser le dispositif anti-éclat pour les coupes en biais.

### Collecte de poussière

Afin d'assurer la propreté lors des opérations de coupe, il est préférable d'utiliser le raccord d'aspiration (accessoire en option). (Fig. 11)

Pour fixer le raccord d'aspiration à l'outil, insérez le crochet du raccord dans l'orifice de la base.

Le raccord d'aspiration peut être installé d'un côté comme de l'autre de la base. (Fig. 12)

Raccordez ensuite un aspirateur Makita au raccord d'aspiration. (Fig. 13)

### UTILISATION

ATTENTION :

- Maintenez toujours la base de l'outil exactement au niveau du matériau. Sinon, vous risquez de briser la lame et de vous blesser grièvement. (Fig. 14)

Mettez l'outil en marche alors que la lame ne touche à rien et attendez qu'elle ait atteint sa pleine vitesse. Puis, amenez la base en contact avec le matériau à scier, et déplacez normalement l'outil vers l'avant en suivant le trait marqué préalablement.

NOTE :

- Si l'outil a fonctionné de façon continue jusqu'à ce que la batterie soit déchargée, laissez-le reposer pendant 15 minutes avant de recommencer avec une batterie fraîche.

Faites avancer l'outil très lentement quand la lame doit suivre des courbes.

### Coupe en biais (Fig. 15)

ATTENTION :

- Assurez-vous toujours que l'outil est hors tension et que la batterie est retirée avant d'incliner la base.

En inclinant la base de l'outil, vous pouvez effectuer des coupes en biais sur tout angle compris entre 0° et 45° (vers la gauche ou la droite).

Desserrez le boulon qui se trouve à l'arrière de la base de l'outil à l'aide de la clé hexagonale. Déplacez la base de l'outil de façon que le boulon se trouve au centre de la fente angulaire sur la base. (Fig. 16)

Inclinez la base de l'outil de façon à obtenir l'angle de biseau voulu. L'entaille en V du carter d'engrenages indique l'angle de biseau au moyen de graduations. Serrez ensuite fermement le boulon pour fixer la base. (Fig. 17)

### Sciage au ras d'un obstacle

Desserrez le boulon qui se trouve à l'arrière de la base à l'aide de la clé hexagonale, et faites glisser la base complètement vers l'arrière. Puis, serrez le boulon pour fixer la base de l'outil. (Fig. 18)

### Découpes

Les découpes s'effectuent suivant deux méthodes, A ou B.

#### A) Perçage d'un trou d'amorce (Fig. 19) :

Pour les découpes internes sans entaille d'amorce sur le bord du matériau, percez à trou d'amorce de 12 mm de diamètre ou plus. Insérez la lame dans ce trou pour commencer la découpe.

#### B) Attaque en plein bois (Fig. 20) :

Vous n'aurez pas besoin de percer un trou d'amorce ni de faire une entaille d'amorce si vous procédez délicatement comme suit.

1. Inclinez l'avant de l'outil vers l'avant sur le bord avant de la base, la lame étant placée juste au-dessus de la surface du matériau.
2. Appuyez sur l'outil de façon que le bord avant de la base ne bouge pas quand vous mettez l'outil en marche, et abaissez lentement et délicatement l'arrière de l'outil.
3. Lorsque la lame traverse le matériau, abaissez lentement la base de l'outil sur la surface du matériau.
4. Terminez la coupe normalement.

### Finition des bords (Fig. 21)

Pour équarrir les bords ou faire des ajustements de dimension, passez légèrement la lame sur les bords de coupe.

### Coupe de métal

Utilisez toujours un liquide de refroidissement (huile de coupe) pour couper du métal. Sinon, la lame s'usera très rapidement. Vous pouvez aussi enduire directement la face intérieure du matériau de graisse, au lieu d'utiliser un liquide de refroidissement.

### Ensemble de guide parallèle (accessoire en option)

ATTENTION :

- Assurez-vous toujours que l'outil est hors tension et que sa batterie est retirée avant d'installer ou de retirer des accessoires.

#### 1. Coupes droites (Fig. 22 et 23)

Pour couper régulièrement des largeurs égales ou inférieures à 160 mm, utilisez le guide parallèle pour obtenir des coupes rapides, nettes et droites. Pour installer le guide parallèle, insérez-le dans l'orifice rectangulaire situé sur le côté de la base de l'outil, avec le guide parallèle tourné vers le bas. Positionnez le guide parallèle à la largeur de coupe voulue, puis vissez le boulon pour fixer le guide.

#### 2. Coupes circulaires (Fig. 24 et 25)

Pour découper des arcs de cercle d'un rayon égal ou inférieur à 170 mm, installez le guide parallèle comme suit.

Insérez le guide parallèle dans l'orifice rectangulaire situé sur le côté de la base de l'outil, avec le guide parallèle tourné vers le haut. Insérez la goupille de guide circulaire dans l'un des deux trous du guide de garde. Vissez le boulon fileté sur la goupille pour fixer la goupille. Puis, positionnez le guide parallèle sur le rayon de coupe voulu, et serrez le boulon pour fixer le guide. Ensuite, faites glisser la base de l'outil à fond vers l'avant.

#### NOTE :

- Utilisez toujours des lames No. B-17, B-18, B-26 ou B-27 pour découper des cercles ou des arcs de cercle.

#### **Ensemble d'adaptateur pour guide de délignage (accessoire) (Fig. 26)**

L'utilisation du guide de délignage et de son adaptateur assure un travail rapide et propre lors des coupes parallèles de largeur uniforme, ou lors des coupes rectilignes. Pour installer l'adaptateur pour guide de délignage, insérez à fond la règle dans l'orifice carré de la base. Serrez ensuite le boulon fermement au moyen de la clé hexagonale. (Fig. 27)

Installez l'adaptateur pour guide de délignage sur la barre du guide de délignage. Insérez la règle dans l'orifice carré de l'adaptateur pour guide de délignage. Placez la base à côté du guide de délignage, puis serrez le boulon fermement. (Fig. 28)

#### ATTENTION :

- Utilisez toujours une lame n° B-8, B-13, B-16, B-17 ou 58 lorsque vous utilisez le guide de délignage et son adaptateur.

### **ENTRETIEN**

#### ATTENTION :

- Assurez-vous toujours que l'outil est hors tension et que la batterie est retirée avant d'y effectuer tout travail d'inspection ou d'entretien.

#### **Remplacement des charbons (Fig. 29 et 30)**

Retirez et vérifiez régulièrement les charbons. Remplacez-les lorsqu'ils sont usés jusqu'au trait de limite d'usure. Maintenez les charbons propres et en état de glisser aisément dans les porte-charbon. Les deux charbons doivent être remplacés en même temps. N'utilisez que des charbons identiques.

Utilisez un tournevis pour retirer les bouchons de porte-charbon. Enlevez les charbons usés, insérez-en de nouveaux et revissez solidement les bouchons de porte-charbon.

Pour maintenir la **SÉCURITÉ** et la **FIABILITÉ** du produit, les réparations, travaux d'entretien et autres réglages doivent être effectués dans un centre de service Makita agréé ou un centre de service de l'usine Makita, exclusivement avec des pièces de rechange Makita.

### **ACCESSOIRES**

#### ATTENTION :

- Ces accessoires ou pièces complémentaires sont recommandés pour l'utilisation avec l'outil Makita spécifié dans ce mode d'emploi. L'utilisation de tout autre accessoire ou pièce complémentaire peut comporter un risque de blessure. N'utilisez les accessoires ou pièces qu'aux fins auxquelles ils ont été conçus.

Si vous désirez obtenir plus de détails concernant ces accessoires, veuillez contacter le centre de service après-vente Makita le plus près.

- Lame de scie sauteuse
- Clé hexagonale 4
- Ensemble de guide parallèle (Garde parallèle)
- Ensemble d'adaptateur pour guide de délignage
- Ensemble de guide de délignage
- Dispositif anti-éclat
- Plaque de recouvrement
- Raccord d'aspiration
- Les divers types de batteries et chargeurs Makita authentiques

Übersicht

1 Roter Teil	13 Gleitplatte	25 Anschlagführung
2 Knopf	14 Spanreißschutz	26 Gewindeknopf
3 Blockakku	15 Absaugstutzen	27 Dorn für Kreisschneider
4 Pendelhub-Umschalthebel	16 Schlauch für Staubsauger	28 Führungsstange
5 Einschaltsperrknopf	17 Schnittlinie	29 Führungsanschlag
6 Elektronikschalter	18 Schraube	30 Führungsschiene
7 Klemmenhebel	19 Kreuzschlitz	31 Schraube
8 Sägeblattklemme	20 Teilstriche	32 Verschleißgrenze
9 Sägeblatt	21 Kerbnut	33 Bürstenhalterkappe
10 Vorsprünge	22 Getriebegehäuse	34 Schraubendreher
11 Grundplatte	23 Vorbohrung	
12 Innensechskantschlüssel	24 Parallelschlag	

TECHNISCHE DATEN

Modell		BJV140	BJV180
Hubhöhe		26 mm	26 mm
Maximale Schnitttiefe	Holz	135 mm	135 mm
	Weichstahl	10 mm	10 mm
	Aluminium	20 mm	20 mm
Hubzahl pro Minute (min <sup>-1</sup> )		0 – 2 600	0 – 2 600
Gesamtlänge		255 mm	257 mm
Nettogewicht		2,7 kg	2,8 kg
Nennspannung		DC 14,4 V	DC 18 V

- Wir behalten uns vor, Änderungen im Zuge der Entwicklung und des technischen Fortschritts ohne vorherige Ankündigung vorzunehmen.
- Hinweis: Die technischen Daten können von Land zu Land abweichen.

Vorgesehene Verwendung

Diese Maschine ist für das Sägen von Holz, Kunststoff und Metall vorgesehen. Dank des umfangreichen Zubehör- und Sägeblattprogramms kann die Maschine für viele Zwecke eingesetzt werden und eignet sich ideal für Bogen- oder Kreisschnitte.

Sicherheitshinweise

Lesen und beachten Sie diese Hinweise, bevor Sie das Gerät benutzen.

SPEZIELLE SICHERHEITSREGELN

Lassen Sie sich NICHT durch Bequemlichkeit oder Vertrautheit mit dem Produkt (durch wiederholten Gebrauch erworben) von der strikten Einhaltung der Sicherheitsregeln für die Stichsäge abhalten. Wenn Sie dieses Elektrowerkzeug auf unsichere oder unsachgemäße Weise benutzen, können Sie schwere Verletzungen erleiden.

1. Halten Sie Elektrowerkzeuge nur an den isolierten Griffflächen, wenn Sie Arbeiten ausführen, bei denen die Gefahr besteht, dass verborgene Kabel oder das eigene Kabel kontaktiert werden. Bei Kontakt mit einem stromführenden Kabel werden die freiliegenden Metallteile der Maschine ebenfalls stromführend, so dass der Benutzer einen elektrischen Schlag erleiden kann.
2. Verwenden Sie Klemmen oder eine andere praktische Methode, um das Werkstück auf einer stabilen Unterlage zu sichern und abzustützen. Wenn Sie das Werkstück nur von Hand oder gegen Ihren Körper halten, befindet es sich in einer instabilen Lage, die zum Verlust der Kontrolle führen kann.
3. Tragen Sie stets eine Sicherheits- oder Schutzbrille. Eine gewöhnliche Brille oder Sonnenbrille ist KEIN Ersatz für eine Sicherheitsbrille.
4. Schneiden Sie keine Nägel durch. Untersuchen Sie das Werkstück auf Nägel, und entfernen Sie diese vor der Bearbeitung.
5. Schneiden Sie keine übergroßen Werkstücke.
6. Vergewissern Sie sich vor dem Sägen, dass genügend Freiraum hinter dem Werkstück vorhanden ist, damit das Sägeblatt nicht gegen eine harte Oberfläche, wie Fußboden, Werkbank usw., stößt.
7. Halten Sie die Maschine sicher in der Hand.
8. Achten Sie stets darauf, daß das Sägeblatt nicht das Werkstück berührt, bevor die Stichsäge eingeschaltet wird.
9. Halten Sie während des Betriebs die Hände von den sich bewegenden Teilen der Maschine fern.

10. Die Maschine nicht im eingeschalteten Zustand aus der Hand legen. Die Benutzung ist nur in handgehaltener Weise vorgesehen.
11. Das Sägeblatt erst dann vom Werkstück entfernen, nachdem die Maschine abgeschaltet wurde und das Sägeblatt zum Stillstand gekommen ist.
12. Berühren Sie weder Sägeblatt noch Werkstück unmittelbar nach dem Schneiden; beide können sehr heiß sein und Verbrennungen verursachen.
13. Lassen Sie das Werkzeug nicht unnötig im Leerlauf laufen.
14. Manche Materialien können giftige Chemikalien enthalten. Treffen Sie Vorsichtsmaßnahmen, um das Einatmen von Arbeitsstaub und Hautkontakt zu verhüten. Befolgen Sie die Sicherheitsdaten des Materialherstellers.
15. Verwenden Sie stets die korrekte Staubschutz- oder Atemmaske für das jeweilige Material und die Anwendung.

## BEWAHREN SIE DIESE HINWEISE SORGFÄLTIG AUF.

### WARNUNG:

**MISSBRAUCH** oder Missachtung der Sicherheitsvorschriften in dieser Anleitung können schwere Verletzungen verursachen.

## WICHTIGE SICHERHEITSVORSCHRIFTEN FÜR AKKU

1. Lesen Sie vor der Benutzung des Akkus alle Anweisungen und Warnhinweise, die an (1) Ladegerät, (2) Akku und (3) Akkuwerkzeug angebracht sind.
2. Unterlassen Sie ein Zerlegen des Akkus.
3. Falls die Betriebszeit beträchtlich kürzer geworden ist, stellen Sie den Betrieb sofort ein. Anderenfalls besteht die Gefahr von Überhitzung, möglichen Verbrennungen und sogar einer Explosion.
4. Falls Elektrolyt in Ihre Augen gelangt, waschen Sie sie mit sauberem Wasser aus, und begeben Sie sich unverzüglich in ärztliche Behandlung. Anderenfalls können Sie Ihre Sehkraft verlieren.
5. Der Akku darf nicht kurzgeschlossen werden:
  - (1) Die Kontakte dürfen nicht mit leitfähigem Material berührt werden.
  - (2) Lagern Sie den Akku nicht in einem Behälter zusammen mit anderen Metallgegenständen, wie z.B. Nägel, Münzen usw.
  - (3) Setzen Sie den Akku weder Wasser noch Regen aus.

Ein Kurzschluss des Akkus verursacht starken Stromfluss, der Überhitzung, Verbrennungen und einen Defekt zur Folge haben kann.
6. Lagern Sie Maschine und Akku nicht an Orten, an denen die Temperatur 50°C erreichen oder überschreiten kann.
7. Versuchen Sie niemals, den Akku zu verbrennen, selbst wenn er stark beschädigt oder vollkommen verbraucht ist. Der Akku kann im Feuer explodieren.

8. Achten Sie darauf, dass der Akku nicht fallen gelassen oder Stößen ausgesetzt wird.

## BEWAHREN SIE DIESE HINWEISE SORGFÄLTIG AUF.

### Hinweise zur Aufrechterhaltung der maximalen Akku-Nutzungsdauer

1. Laden Sie den Akku, bevor er vollkommen erschöpft ist.  
Schalten Sie die Maschine stets aus, und laden Sie den Akku, wenn Sie ein Nachlassen der Maschinenleistung feststellen.
2. Unterlassen Sie das erneute Laden eines voll aufgeladenen Akkus. Überladen führt zu einer Verkürzung der Nutzungsdauer des Akkus.
3. Laden Sie den Akku bei Raumtemperatur zwischen 10°C – 40°C. Lassen Sie einen heißen Akku abkühlen, bevor Sie ihn laden.

## FUNKTIONSBESCHREIBUNG

### VORSICHT:

- Vergewissern Sie sich vor der Durchführung von Einstellungen oder Funktionsprüfungen der Maschine stets, dass die Maschine ausgeschaltet und der Akku abgenommen ist.

### Anbringen und Abnehmen des Akkus (Abb. 1)

- Schalten Sie die Maschine stets aus, bevor Sie den Akku anbringen oder abnehmen.
- Ziehen Sie den Akku zum Abnehmen von der Maschine ab, während Sie den Knopf an der Vorderseite des Akkus drücken.
- Zum Einsetzen des Akkus richten Sie die Führungsfeder des Akkus auf die Nut im Maschinengehäuse aus und schieben den Akku hinein. Schieben Sie den Akku stets vollständig ein, bis er mit einem hörbaren Klicken einrastet. Wenn der rote Teil an der Oberseite des Knopfes sichtbar ist, ist der Akku nicht richtig eingasetzt. Schieben Sie den Akku vollständig ein, bis der rote Teil verschwindet. Anderenfalls kann er aus der Maschine herausfallen und Sie oder umstehende Personen verletzen.
- Wenden Sie beim Einsetzen des Akkus keine Gewalt an. Falls der Akku nicht reibungslos hineingleitet, ist er nicht richtig ausgerichtet.



## Wahl der Schnittbewegung (Abb. 2)

Diese Maschine kann mit Pendelhub oder Linearhub (gerade Auf-Ab-Bewegung) betrieben werden. Bei Pendelhub wird das Sägeblatt im Schnitthub vorwärts geschoben, wodurch erheblich höhere Schnittgeschwindigkeiten möglich sind.

Zum Umschalten der Schnittbewegung drehen Sie einfach den Umschalthebel auf die Position der gewünschten Schnittbewegung. Wählen Sie die Schnittbewegung anhand der nachstehenden Tabelle aus.

Position	Schnittbewegung	Anwendungen
0	Geradlinige Schnittbewegung	Zum Schneiden von Weichstahl, Edelstahl und Kunststoff. Für saubere Schnitte in Holz und Sperrholz.
I	Kleiner Pendelhub	Zum Schneiden von Weichstahl, Aluminium und Hartholz.
II	Mittlerer Pendelhub	Zum Schneiden von Holz und Sperrholz. Für schnelles Schneiden von Aluminium und Weichstahl.
III	Großer Pendelhub	Für schnelles Schneiden von Holz und Sperrholz.

## Schalterfunktion (Abb. 3 und 4)

VORSICHT:

- Überprüfen Sie vor dem Anschließen der Maschine an das Stromnetz stets, ob der Elektronikschalter ordnungsgemäß funktioniert und beim Loslassen in die "AUS"-Stellung zurückkehrt.
- Wenn Sie das Werkzeug nicht benutzen, drücken Sie den Einschaltsperrknopf auf der Seite A hinein, um den Ein-Aus-Schalter in der Stellung OFF zu verriegeln.

Um versehentliche Betätigung des Ein-Aus-Schalters zu verhüten, ist das Werkzeug mit einem Einschaltsperrknopf ausgestattet.

Um das Werkzeug zu starten, drücken Sie den Einschaltsperrknopf auf der Seite B hinein und drücken den Ein-Aus-Schalter.

Die Drehzahl erhöht sich durch verstärkte Druckausübung auf den Ein-Aus-Schalter. Zum Ausschalten den Ein-Aus-Schalter loslassen. Drücken Sie nach der Benutzung stets den Einschaltsperrknopf auf der Seite A hinein.

## Einschalten der Lampen

VORSICHT:

- Blicken Sie nicht direkt in das Licht oder die Lichtquelle.

Betätigen Sie den Ein-Aus-Schalter zum Einschalten der Lampe. Lassen Sie den Ein-Aus-Schalter zum Ausschalten der Lampe los.

HINWEIS:

- Wischen Sie Schmutz auf der Linse der Lampe mit einem trockenen Tuch ab. Achten Sie sorgfältig darauf, dass Sie die Linse der Lampe nicht verkratzen, weil sich sonst die Lichtstärke verringert.

## MONTAGE

VORSICHT:

- Vergewissern Sie sich vor der Ausführung von Arbeiten an der Maschine stets, dass die Maschine ausgeschaltet und der Akku abgenommen ist.

### Montage/Demontage des Sägeblatts

VORSICHT:

- Säubern Sie Sägeblatt und/oder Sägeblatthalter stets von anhaftenden Spänen oder Fremdkörpern. Andernfalls besteht die Gefahr, daß das Sägeblatt nicht richtig sitzt, was zu schweren Verletzungen führen kann.
- Vermeiden Sie eine Berührung des Sägeblatts oder des Werkstücks unmittelbar nach der Bearbeitung, weil sie dann noch sehr heiß sind und Hautverbrennungen verursachen können.
- Ziehen Sie das Sägeblatt sicher fest. Andernfalls kann es zu ernsthaften Verletzungen kommen.
- Achten Sie beim Demontieren des Sägeblatts darauf, dass Sie sich nicht die Finger an den Zähnen des Sägeblatts oder an den Zacken des Werkstücks verletzen.

Um das Sägeblatt zu installieren, öffnen Sie den Werkzeughalter auf die in der Abbildung gezeigte Stellung.

### (Abb. 5)

Führen Sie in diesem Zustand das Sägeblatt so weit in die Sägeblattklemme ein, bis die beiden Vorsprünge des Sägeblatts nicht mehr sichtbar sind. (Abb. 6)

Bringen Sie den Klemmenhebel wieder in seine Ausgangsstellung. Überprüfen Sie nach der Montage stets den sicheren Sitz des Sägeblatts durch Zugversuch.

VORSICHT:

- Öffnen Sie den Klemmenhebel nicht zu weit, weil sonst die Maschine beschädigt werden kann.

Um das Sägeblatt zu entfernen, öffnen Sie den Werkzeughalter auf die in der Abbildung gezeigte Stellung.

(Abb. 7) Ziehen Sie das Sägeblatt in Richtung der Grundplatte heraus.

HINWEIS:

- Schmieren Sie die Führungsrolle von Zeit zu Zeit.

### Inbusschlüssel-Aufbewahrung (Abb. 8)

Der Inbusschlüssel kann an der in der Abbildung gezeigten Stelle aufbewahrt werden, damit er nicht verloren geht.

### **Deckplatte (Abb. 9)**

Verwenden Sie die Gleitplatte zum Schneiden von dekorativen Furnieren, Kunststoffen usw. Sie schützt empfindliche oder feine Oberflächen vor Beschädigung. Passen Sie die Gleitplatte auf die Unterseite der Grundplatte.

### **Spanreißschutz (Abb. 10)**

Um splitterfreie Schnitte auszuführen, empfiehlt sich die Verwendung des Spanreißschutzes. Schieben Sie die Grundplatte bis zum Anschlag nach vorne, und montieren Sie den Spanreißschutz von der Unterseite der Grundplatte. Wenn Sie die Gleitplatte verwenden, montieren Sie den Spanreißschutz auf die Gleitplatte.

#### **VORSICHT:**

- Bei Gehrungsschnitten kann der Spanreißschutz nicht verwendet werden.

### **Staubabsaugung**

Der Absaugstutzen (Sonderzubehör) wird für sauberen Schnittbetrieb empfohlen. **(Abb. 11)**

Um den Absaugstutzen an der Maschine anzubringen, führen Sie seinen Haken in die Öffnung der Grundplatte ein.

Der Absaugstutzen kann sowohl auf der linken als auch der rechten Seite der Grundplatte angebracht werden. **(Abb. 12)**

Schließen Sie dann einen Makita-Staubsauger an den Absaugstutzen an. **(Abb. 13)**

## **BETRIEB**

#### **VORSICHT:**

- Setzen Sie die Grundplatte der Stichsäge stets flach auf das Werkstück auf. Anderenfalls besteht die Gefahr eines Sägeblattbruchs, was zu schweren Verletzungen führen kann. **(Abb. 14)**

Schalten Sie das Werkzeug ein, ohne dass das Sägeblatt Kontakt hat, und warten Sie, bis es seine volle Hubzahl erreicht. Setzen Sie die Grundplatte flach auf das Werkstück, und bewegen Sie die Maschine entlang der vorher markierten Schnittlinie sachte vorwärts.

#### **HINWEISE:**

- Wenn das Werkzeug im Dauerbetrieb bis zur vollkommenen Entladung des Akkus benutzt wurde, lassen Sie das Werkzeug vor dem Fortsetzen des Betriebs mit einem frischen Akku 15 Minuten lang ruhen.

Der Vorschub sollte bei Kurvenschnitten gering gehalten werden.

### **Gehrungsschnitte (Fig. 15)**

#### **VORSICHT:**

- Vergewissern Sie sich vor dem Neigen der Grundplatte stets, dass das Werkzeug ausgeschaltet und der Akku abgenommen ist.

Durch Neigen der Grundplatte können Gehrungsschnitte in jedem Winkel zwischen 0° und 45° (links oder rechts) ausgeführt werden.

Lösen Sie die Schraube an der Rückseite der Grundplatte mit dem Inbusschlüssel. Verschieben sie die Grundplatte so, dass sich die Schraube in der Mitte des Kreuzschlitzes in der Grundplatte befindet. **(Abb. 16)**

Neigen Sie die Grundplatte, bis der gewünschte Winkel erreicht ist. Der Gehrungswinkel kann an der Kerbnut des Getriebegehäuses abgelesen werden. Ziehen Sie dann die Schraube zur Sicherung der Grundplatte fest an. **(Abb. 17)**

### **Randnahe Schnitte**

Lösen Sie die Schraube auf der Rückseite der Grundplatte mit dem Inbusschlüssel, und schieben Sie die Grundplatte bis zum Anschlag zurück. Ziehen Sie anschließend die Innensechskantschraube zur Befestigung der Grundplatte wieder an. **(Abb. 18)**

### **Ausschnitte**

Es gibt zwei Möglichkeiten, Ausschnitte durchzuführen:

#### **A) Vorbohren (Abb. 19):**

Bei Innenausschnitten ohne Zuführschnitt von einer Kante aus machen Sie eine Vorbohrung von ca. 12 mm Durchmesser. Das Sägeblatt in diese Öffnung einführen und mit dem Sägen beginnen.

#### **B) Tauchschnitte (Abb. 20):**

Um Schnitte ohne Vorbohren oder Zuführschnitt auszuführen, gehen Sie wie folgt vor:

1. Die Stichsäge auf der Vorderkante der Grundplatte kippen, so daß die Sägeblattspitze dicht über der Oberfläche des Werkstücks liegt.
2. Druck auf die Stichsäge ausüben, damit die Vorderkante der Grundplatte nicht verrutscht, wenn die Stichsäge eingeschaltet und das hintere Ende langsam abgesenkt wird.
3. Sobald das Sägeblatt in das Werkstück eindringt, die Grundplatte langsam auf die Oberfläche des Werkstücks absenken.
4. Den Schnitt in gewohnter Weise beenden.

### **Bearbeitung von Kanten (Abb. 21)**

Um Kanten nachzuarbeiten oder Maßkorrekturen vorzunehmen, das Sägeblatt leicht an den Schnittkanten entlangführen.

### **Schneiden von Metall**

Beim Schneiden von Metall stets ein geeignetes Kühlmittel (Schneidöl) verwenden. Nichtbeachtung verursacht erheblichen Verschleiß des Sägeblatts. Anstelle von Kühlmittel kann auch die Unterseite des Werkstücks eingefettet werden.

### **Parallelanschlagsatz (Sonderzubehör)**

#### **VORSICHT:**

- Vergewissern Sie sich vor dem Anbringen oder Abnehmen von Zubehör stets, dass das Werkzeug ausgeschaltet und der Akku abgenommen ist.

#### **1. Gerade Schnitte (Abb. 22 u. 23)**

Bei wiederholtem Schneiden von Breiten kleiner als 160 mm gewährleistet der Parallelanschlag schnelle, saubere und gerade Schnitte. Führen Sie den Parallelanschlag in die rechteckige Öffnung an der Seite der Grundplatte ein, so daß die Anschlagführung nach unten gerichtet ist. Schieben Sie den Parallelanschlag zur Position der gewünschten Schnittbreite, und ziehen Sie dann die Schraube zur Befestigung an.

## 2. Kreisschnitte (Abb. 24 u. 25)

Um Kreis- oder Bogenschnitte von weniger als 170 mm Radius durchzuführen, montieren Sie den Parallelanschlag wie folgt.

Führen Sie den Parallelanschlag in die rechteckige Öffnung an der Seite der Grundplatte ein, so daß die Anschlagführung nach oben gerichtet ist. Setzen Sie den Dorn des Kreisschneiders in eine der beiden Bohrungen in der Anschlagführung ein, und sichern Sie ihn mit dem Gewindeknopf. Schieben Sie nun den Parallelanschlag zu dem gewünschten Schnitttradius, und ziehen Sie die Schraube zur Befestigung an. Schieben Sie dann die Grundplatte der Maschine ganz nach vorn.

### HINWEIS:

- Verwenden Sie stets die Sägeblätter Nr. B-17, B-18, B-26 oder B-27 für kreis- oder bogenförmige Schnitte.

## Führungsanschlagsatz (Zubehör) (Abb. 26)

Bei der Ausführung von Parallelschnitten von gleichmäßiger Breite oder von Geradschnitten gewährleisten die Führungsschiene und der Führungsanschlag die Erzeugung von schnellen und sauberen Schnitten.

Zum Installieren des Führungsanschlags führen Sie die Führungsstange bis zum Anschlag in das Vierkantloch der Grundplatte ein. Ziehen Sie die Schraube mit dem Inbusschlüssel fest an. (Abb. 27)

Befestigen Sie den Führungsanschlag an der Führungsschiene. Führen Sie die Führungsstange in das Vierkantloch des Führungsanschlags ein. Bringen Sie die Grundplatte an der Seite der Führungsschiene an, und ziehen Sie die Schraube fest an. (Abb. 28)

### VORSICHT:

- Benutzen Sie bei Verwendung der Führungsschiene und des Führungsanschlags stets die Sägeblätter Nr. B-8, B-13, B-16, B-17 oder 58.

## WARTUNG

### VORSICHT:

- Vergewissern Sie sich vor der Durchführung von Inspektions- oder Wartungsarbeiten stets, dass die Maschine ausgeschaltet und der Akku abgenommen ist.

## Auswechseln der Kohlebürsten (Abb. 29 u. 30)

Die Kohlebürsten müssen regelmäßig entfernt und überprüft werden. Wenn sie bis zur Verschleißgrenze abgenutzt sind, müssen sie erneuert werden. Halten Sie die Kohlebürsten stets sauber, damit sie ungehindert in den Haltern gleiten können. Beide Kohlebürsten sollten gleichzeitig erneuert werden. Verwenden Sie nur identische Kohlebürsten.

Drehen Sie die Bürstenhalterkappen mit einem Schraubendreher heraus. Nehmen Sie die abgenutzten Kohlebürsten heraus, setzen Sie die neuen ein, und drehen Sie dann die Bürstenhalterkappen wieder ein.

Um die SICHERHEIT und ZUVERLÄSSIGKEIT dieses Produkts zu gewährleisten, sollten Reparaturen und andere Wartungs- oder Einstellarbeiten nur von Makita-Vertragswerkstätten oder Makita-Kundendienstzentren unter ausschließlicher Verwendung von Makita-Originalersatzteilen ausgeführt werden.

## ZUBEHÖR

### VORSICHT:

- Die folgenden Zubehörteile oder Vorrichtungen werden für den Einsatz mit der in dieser Anleitung beschriebenen Makita-Maschine empfohlen. Die Verwendung anderer Zubehörteile oder Vorrichtungen kann eine Verletzungsgefahr darstellen. Verwenden Sie Zubehörteile oder Vorrichtungen nur für ihren vorgesehenen Zweck.

Wenn Sie weitere Einzelheiten bezüglich dieser Zubehörteile benötigen, wenden Sie sich bitte an Ihre Makita-Kundendienststelle.

- Sägeblatt
- Innensechskantschlüssel 4
- Parallelanschlagsatz (Führungslinialsatz)
- Führungsanschlagsatz
- Führungsschiensatz
- Spanreißschutz
- Gleitplatte
- Absaugstutzen
- Verschiedene Original-Makita-Akkus und -Ladegeräte

### Visione generale

1	Parte rossa	13	Piastra di protezione	25	Guida riparo
2	Bottone	14	Dispositivo antisceggiamento	26	Pomello filettato
3	Batteria	15	Bocchettone aspirapolvere	27	Perno guida circolare
4	Leva di cambio modo di taglio	16	Manicotto per aspirapolvere	28	Righello
5	Bottone di sblocco	17	Linea di taglio	29	Adattatore rotaia guida
6	Grilletto interruttore	18	Bullone	30	Rotaia guida
7	Dispositivo di apertura utensile	19	Scanalatura di inclinazione	31	Vite
8	Portalama	20	Graduazioni	32	Segno di limite
9	Lama seghetto alternativo	21	Tacca a V	33	Tappo portapazzola
10	Sporgenze	22	Alloggiamento ingranaggi	34	Cacciavite
11	Base	23	Foro iniziale		
12	Chiave esagonale	24	Guida pezzo		

### DATI TECNICI

Modello		BJV140	BJV180
Lunghezza corsa		26 mm	26 mm
Capacità massima di taglio	Legno	135 mm	135 mm
	Acciaio dolce	10 mm	10 mm
	Alluminio	20 mm	20 mm
Corse al minuto (min <sup>-1</sup> )		0 – 2.600	0 – 2.600
Lunghezza totale		255 mm	257 mm
Peso netto		2,7 kg	2,8 kg
Tensione nominale		C.C. 14,4 V	C.C. 18 V

- Per il nostro programma di ricerca e sviluppo continui, i dati tecnici sono soggetti a modifiche senza preavviso.
- Nota: I dati tecnici potrebbero differire a seconda del paese di destinazione del modello.

#### Utilizzo previsto

L'utensile va usato per il taglio di legno, plastica e materiali metallici. Grazie alla vasta gamma di accessori e lame, l'utensile può essere usato in svariate applicazioni ed è particolarmente adatto per praticare tagli curvi o circolari.

#### Consigli per la sicurezza

Per la vostra sicurezza, riferitevi alle accluse istruzioni per la sicurezza.

### SPECIFICHE REGOLE DI SICUREZZA

**NON lasciare che la comodità o la familiarità con il prodotto (acquisita con l'uso ripetuto) sostituisca la stretta osservanza delle norme di sicurezza per il seghetto alternativo. Se si usa questo utensile elettrico in modo insicuro o sbagliato, c'è pericolo di seri infortuni.**

1. **Tenere gli utensili elettrici per le superfici di presa isolate quando si eseguono operazioni in cui l'utensile da taglio potrebbe fare contatto con fili elettrici nascosti o con il suo stesso cavo di alimentazione. Il contatto con un filo elettrico "sotto tensione" mette "sotto tensione" le parti metalliche esposte dell'utensile, dando una scossa all'operatore.**
2. **Usare morsa od altri modi pratici per fissare e supportare il pezzo su una superficie stabile. Se lo si tiene in mano o contro il proprio corpo, il pezzo diventa instabile e potrebbe causare la perdita di controllo.**
3. **Usare sempre occhiali di sicurezza o occhialoni. I normali occhiali o gli occhiali da sole NON sono occhiali di sicurezza.**
4. **Evitare di tagliare chiodi. Prima di iniziare la lavorazione, ispezionare il pezzo ed estrarne i chiodi eventualmente presenti.**
5. **Non tagliare pezzi che superano la capacità dell'utensile.**
6. **Accertare che dietro il pezzo da tagliare vi sia uno spazio libero sufficiente a consentire che la lama non colpisca il pavimento, il banco di lavoro, ecc.**
7. **Tenere l'utensile ben saldo.**
8. **Assicurarsi che la lama non sia a contatto con il pezzo da lavorare prima di mettere in moto l'utensile.**
9. **Tenere le mani lontano da parti in movimento.**
10. **Non lasciare l'utensile in moto a vuoto. Mettere in moto solamente quando si tiene l'utensile bene stretto in mano.**

11. Prima di ritirare la lama dal pezzo in lavorazione staccare la corrente ed aspettare che la lama si fermi completamente.
  12. Non toccare la lama o il pezzo in lavorazione subito dopo l'operazione; potrebbero essere estremamente caldi e causare ustioni.
  13. Non far funzionare inutilmente l'utensile a vuoto.
  14. Alcuni materiali contengono sostanze chimiche che potrebbero essere tossiche. Fare attenzione per evitare l'inalazione o il contatto con la pelle. Osservare le precauzioni del produttore del materiale.
  15. Usare sempre la mascherina antipolvere/respiratore adatti al materiale e all'applicazione con cui si lavora.
7. Non incenerire la cartuccia della batteria anche se è gravemente danneggiata o è completamente esaurita. La cartuccia della batteria può esplodere e provocare un incendio.
  8. Fare attenzione a non lasciar cadere o a colpire la batteria.

## CONSERVARE QUESTE ISTRUZIONI.

### Suggerimenti per mantenere la durata massima della batteria

1. Caricare la cartuccia della batteria prima che si scarichi completamente.  
Smettere sempre di usare l'utensile e caricare la cartuccia della batteria quando si nota che la potenza dell'utensile è diminuita.
2. Non ricaricare mai una cartuccia della batteria completamente carica. La sovraccarica riduce la durata della batteria.
3. Caricare la cartuccia della batteria con la temperatura ambiente da 10°C a 40°C. Lasciar raffreddare una cartuccia della batteria calda prima di caricarla.

## CONSERVATE QUESTE ISTRUZIONI.

### ATTENZIONE:

L'utilizzo SBAGLIATO o la mancata osservanza delle norme di sicurezza di questo manuale di istruzioni potrebbero causare lesioni serie.

## ISTRUZIONI IMPORTANTI DI SICUREZZA PER LA CARTUCCIA DELLA BATTERIA

1. Prima di usare la cartuccia della batteria, leggere tutte le istruzioni e le avvertenze sul (1) carica-batteria, sulla (2) batteria e sul (3) prodotto che utilizza la batteria.
2. Non smontare la cartuccia della batteria.
3. Se il tempo di utilizzo è diventato molto corto, smettere immediatamente di usare l'utensile. Può risultare un rischio di surriscaldamento, possibili ustioni e addirittura un'esplosione.
4. Se l'elettrolita va negli occhi, risciacquarli con acqua pulita e rivolgersi immediatamente ad un medico. Può risultare la perdita della vista.
5. Non cortocircuitare la cartuccia della batteria:
  - (1) Non toccare i terminali con qualche metallo conduttivo.
  - (2) Evitare di conservare la cartuccia della batteria in un contenitore con altri oggetti metallici come i chiodi, le monete, ecc.
  - (3) Non esporre la cartuccia della batteria all'acqua o alla pioggia.
 Un cortocircuito della batteria può causare un grande flusso di corrente, il surriscaldamento, possibili ustioni e addirittura un guasto.
6. Non conservare l'utensile e la cartuccia della batteria in luoghi in cui la temperatura può raggiungere o superare i 50°C.

## DESCRIZIONE FUNZIONALE

### ATTENZIONE:

- Accertarsi sempre che l'utensile sia spento e che la batteria sia stata rimossa prima di regolare o di controllare il funzionamento dell'utensile.

### Installazione o rimozione della batteria (Fig. 1)

- Spegner sempre l'utensile prima di inserire o di rimuovere la batteria.
- Per rimuovere la batteria, ritrarla dall'utensile spingendo il bottone sulla parte anteriore della batteria.
- Per inserire la cartuccia batteria, allineare l'appendice sulla cartuccia batteria con la scanalatura dell'alloggiamento e inserirla in posizione. Inserirla sempre completamente finché non si blocca con un piccolo scatto. Se si vede la parte rossa del lato superiore del bottone, vuol dire che esso non è bloccato completamente. Inserirlo completamente finché la parte rossa non è più visibile. In caso contrario, potrebbe cadere dall'utensile con pericolo di ferite per l'operatore o per chi gli è vicino.
- Per inserire la batteria non bisogna usare forza. Se la batteria non entra facilmente, vuol dire che non viene inserita correttamente.

### Selezione del modo di taglio (Fig. 2)

Questo utensile può essere fatto funzionare nel modo di taglio orbitale o in linea retta (su e giù). Il modo di taglio orbitale spinge la lama in avanti nella corsa di taglio e aumenta grandemente la velocità di taglio. Per cambiare il modo di taglio, girare semplicemente la leva di cambio modo di taglio sulla posizione di taglio desiderata. Per selezionare il modo di taglio, riferirsi alla tabella sotto.

Posizione	Modo di taglio	Applicazioni
0	Linea retta	Per tagliare l'acciaio dolce, l'acciaio inossidabile e la plastica. Per il taglio pulito del legno e del compensato.
I	Orbita piccola	Per tagliare l'acciaio dolce, l'alluminio e il legno duro.
II	Orbita media	Per tagliare il legno e il compensato. Per tagliare velocemente l'alluminio e l'acciaio dolce.
III	Orbita grande	Per tagliare velocemente il legno e il compensato.

## Funzionamento dell'interruttore (Fig. 3 e 4)

### ATTENZIONE:

- Prima di collegare l'utensile alla rete, accertarsi sempre che il grilletto interruttore funzioni correttamente e che torni sulla posizione "OFF" quando viene rilasciato.
- Quando non si usa l'utensile, premere il bottone di sblocco dal lato A per bloccare il grilletto interruttore in posizione OFF.

L'utensile è dotato di un bottone di sblocco per evitare di schiacciare accidentalmente il grilletto interruttore.

Per avviare l'utensile, premere il bottone di sblocco dal lato B e schiacciare il grilletto interruttore.

La velocità dell'utensile aumenta quando si aumenta la pressione sul grilletto interruttore. Rilasciare il grilletto interruttore per fermarlo. Dopo l'uso, premere sempre dentro il bottone di sblocco dal lato A.

## Accensione delle lampadine

### ATTENZIONE:

- Non guardare la luce o guardare direttamente la fonte di luce.

Per accendere la lampadina, schiacciare il grilletto. Rilasciare il grilletto per spegnerla.

### NOTA:

- Usare un panno asciutto per togliere lo sporco dalla lente della lampadina. Fare attenzione a non graffiare la lente della lampadina, perché ciò potrebbe ridurre l'illuminazione.

## MONTAGGIO

### ATTENZIONE:

- Accertarsi sempre che l'utensile sia spento e che la batteria sia stata rimossa prima di qualsiasi intervento sull'utensile.

## Installazione e rimozione della lama

### ATTENZIONE:

- Togliere sempre i trucioli e le sostanze estranee attaccate alla lama e/o portalama. Questa inosservanza potrebbe causare un serraggio insufficiente della lama con pericolo di ferite gravi.
- Non toccare la lama o il pezzo tagliato subito dopo l'uso dell'utensile, in quanto potrebbero essere estremamente caldi e provocare ustioni.
- Serrare saldamente la lama. Non facendolo si corre il rischio di gravi lesioni personali.
- Nel rimuovere la lama, fare attenzione a non ferirsi le dita con l'estremità della lama stessa o con le punte del pezzo tagliato.

Per installare la lama, aprire il dispositivo di apertura dell'utensile sulla posizione mostrata nella illustrazione. (Fig. 5)

Mantenendo tale posizione, inserire la lama nel portalama, introducendolo fino al punto in cui le due sporgenze della lama non siano più visibili. (Fig. 6)

Riportare il dispositivo di apertura dell'utensile nella posizione iniziale. Dopo aver installato la lama, accertare sempre che sia saldamente fissata in posizione cercando di tirarla fuori.

### ATTENZIONE:

- Non aprire eccessivamente il dispositivo di apertura dell'utensile, in quanto ciò potrebbe danneggiare l'utensile stesso.

Per rimuovere la lama, aprire il dispositivo di apertura dell'utensile sulla posizione mostrata nella illustrazione. (Fig. 7) Estrarre la lama tirandola verso la base dell'utensile.

### NOTA:

- Di tanto in tanto lubrificare il rullino.

## Conservazione della chiave esagonale (Fig. 8)

Quando non viene usata, riporre la chiave esagonale come mostrato nella illustrazione per evitare di perderla.

## Piastra di protezione (Fig. 9)

Utilizzare la piastra di protezione per tagliare impiallaccature decorative o materiali in plastica, ecc. In questo modo si proteggono dal danneggiamento le superfici più sensibili o delicate. Fissare la piastra di protezione sul retro della base dell'utensile.

## Dispositivo antisceggiamento (Fig. 10)

Per ottenere dei tagli privi di schegge, è possibile usare il dispositivo antisceggiamento. Per installare il dispositivo antisceggiamento, spostare del tutto in avanti la base dell'utensile ed installare il dispositivo dal retro della base dell'utensile. Quando si utilizza anche la piastra di protezione, installare il dispositivo antisceggiamento sulla piastra di protezione.

### ATTENZIONE:

- Il dispositivo antisceggiamento non può essere usato quando si fanno tagli inclinati.

## Rimozione della polvere

Per eseguire lavorazioni di taglio pulite è consigliabile l'utilizzo del bocchettone aspirapolvere (accessorio opzionale). (Fig. 11)

Per fissare il bocchettone aspirapolvere all'utensile, inserire il gancio del bocchettone aspirapolvere nell'apposito foro presente sulla base dell'utensile.

Il bocchettone aspirapolvere può essere installato sul lato destro o sinistro della base. (Fig. 12)

Collegare quindi un aspirapolvere Makita al bocchettone aspirapolvere. (Fig. 13)

## FUNZIONAMENTO

### ATTENZIONE:

- Tenere sempre la base dell'utensile a livello con il pezzo da lavorare. Questa inosservanza potrebbe causare la rottura della lama con pericolo di ferite gravi. (Fig. 14)

Accendere l'utensile senza che la lama faccia contatto, e aspettare che essa raggiunga la velocità massima. Posare poi la base piana sul pezzo da lavorare e spingerla delicatamente in avanti seguendo la linea di taglio fatta precedentemente.

### NOTA:

- Se si fa funzionare continuamente l'utensile finché la batteria si scarica, lasciare riposare l'utensile per 15 minuti prima di continuare con una nuova batteria.

Per tagliare delle curve, spingere l'utensile molto lentamente.

## Tagli inclinati (Fig. 15)

### ATTENZIONE:

- Accertarsi sempre che l'utensile sia spento e che la batteria sia stata rimossa prima di inclinare la base.

Con la base dell'utensile inclinata, è possibile praticare tagli inclinati a qualsiasi angolazione tra 0° e 45° (a sinistra o a destra).

Allentare il bullone sul retro della base servendosi della chiave esagonale. Spostare la base in modo che il bullone sia posizionato al centro della scanalatura di inclinazione nella base. (Fig. 16)

Inclinare la base fino ad ottenere l'angolo di inclinazione desiderato. La tacca a V dell'alloggiamento ingranaggi indica l'angolo di inclinazione per gradi. Serrare quindi saldamente il bullone per fissare la base. (Fig. 17)

## Tagli frontali della stessa altezza

Allentare con la chiave esagonale il bullone sulla parte posteriore della base, e spingere completamente indietro la base. Stringere poi il bullone per fissare la base dell'utensile. (Fig. 18)

## Sfinestrature

Le sfinestrature possono essere fatte con i due metodi A e B.

### A) Trapanazione di un foro iniziale (Fig. 19):

Per le sfinestrature interne senza un taglio di ingresso dal bordo, trapanare un foro iniziale di 12 mm o più di diametro. Per cominciare a tagliare, inserire la lama in questo foro.

### B) Taglio a tuffo (Fig. 20):

Se si procede con cura come segue, non è necessario trapanare un foro iniziale o fare un taglio di ingresso.

1. Inclinare in su l'utensile sul bordo anteriore della base, con la punta della lama posizionata subito sopra la superficie del pezzo da lavorare.
2. Esercitare una pressione sull'utensile in modo che il bordo anteriore della base non si muova quando lo si accende e si abbassa poi delicatamente e lentamente l'estremità posteriore della base.
3. Mentre la lama fora il pezzo da lavorare, abbassare lentamente la base dell'utensile sulla superficie del pezzo da lavorare.
4. Completare il taglio nel modo normale.

## Bordi di finitura (Fig. 21)

Per rifinire i bordi o fare regolazioni dimensionali, passare leggermente la lama lungo i bordi di taglio.

## Taglio dei metalli

Per tagliare i metalli, usare sempre un refrigerante (olio da taglio) adatto. Questa inosservanza può causare un veloce consumo della lama. Invece di usare un refrigerante, si può spalmare di grasso la parte inferiore del pezzo da lavorare.

## Gruppo guida pezzo (accessorio opzionale)

### ATTENZIONE:

- Accertarsi sempre che l'utensile sia spento e che la batteria sia stata rimossa prima di installare o di rimuovere gli accessori.

### 1. Tagli diritti (Fig. 22 e 23)

Se si devono fare ripetutamente dei tagli di 160 mm o meno di larghezza, l'uso della guida pezzo assicura dei tagli diritti veloci e puliti. Per installarla, inserire la guida pezzo nel foro rettangolare sul fianco della base dell'utensile, con la guida riparo rivolta in giù. Spingere la guida pezzo sulla posizione della larghezza di taglio desiderata, e stringere poi il bullone per fissarla.

### 2. Tagli circolari (Fig. 24 e 25)

Per tagliare cerchi o archi con un raggio di 170 mm o meno, installare la guida pezzo come segue. Inserire la guida pezzo nel foro rettangolare sul fianco della base dell'utensile, con la guida riparo rivolta in su. Inserire il perno della guida circolare in uno dei due fori della guida riparo. Avvitare il pomello filettato nel perno per fissarlo. Spingere ora la guida pezzo sul raggio di taglio desiderato, e stringere il bullone per fissarla in posizione. Spostare poi completamente in avanti la base dell'utensile.

### NOTA:

- Per tagliare i cerchi e gli archi, usare sempre le lame No. B-17, B-18, B-26 o B-27.

## Gruppo adattatore rotaia guida (accessorio) (Fig. 26)

Quando si fanno dei tagli paralleli e uniformi o diritti, l'impiego della rotaia guida e dell'adattatore rotaia guida assicura dei tagli veloci e puliti.

Per installare l'adattatore rotaia guida, inserire il righetto nel foro quadrato della base finché non può più andare oltre. Fissare saldamente il bullone con la chiave esagonale. (Fig. 27)

Installare l'adattatore rotaia guida sulla rotaia della rotaia guida. Inserire il righetto nel foro quadrato dell'adattatore rotaia guida. Mettere la base sul fianco della rotaia guida e stringere saldamente il bullone. (Fig. 28)

### ATTENZIONE:

- Usando il rotaia guida e l'adattatore rotaia guida, usare sempre le lame No. B-8, B-13, B-16, B-17 o 58.

## MANUTENZIONE

### ATTENZIONE:

- Accertarsi sempre che l'utensile sia spento e che la batteria sia stata rimossa prima dell'intervento di ispezione o manutenzione.

### Sostituzione delle spazzole di carbone

#### (Fig. 29 e 30)

Rimuovere e controllare regolarmente le spazzole di carbone. Sostituirle quando sono usurate fino al segno del limite. Mantenere le spazzole di carbone pulite e libere di slittare nei portaspazzole. Entrambe le spazzole di carbone devono essere sostituite allo stesso tempo. Usare soltanto spazzole di carbone identiche.

Usare un cacciavite per rimuovere i tappi dei portaspazzole. Estrarre le spazzole di carbone usurate, inserire le nuove spazzole e fissare i tappi dei portaspazzole.

Per preservare la sicurezza e l'affidabilità del prodotto, le riparazioni, la manutenzione o la regolazione devono essere eseguite da un Centro Assistenza Makita autorizzato usando sempre ricambi Makita.

## ACCESSORI

### ATTENZIONE:

- Questi accessori o attrezzi sono consigliati per l'uso con l'utensile Makita specificato in questo manuale. L'impiego di altri accessori o attrezzi può costituire un rischio di lesioni alle persone. Usare gli accessori soltanto per il loro scopo prefissato.

Per ottenere maggiori dettagli su questi accessori, rivolgersi a un Centro Assistenza Makita autorizzato.

- Lama seghetto alternativo
- Chiave esagonale 4
- Gruppo guida pezzo (Gruppo righello guida)
- Gruppo adattatore rotaia guida
- Gruppo rotaia guida
- Dispositivo antischeggiamento
- Piastra di protezione
- Bocchettone aspirapolvere
- Vari tipi di batterie e caricatori genuini Makita



**Verklaring van algemene gegevens**

1 Rood gedeelte	13 Dekplaat	25 Geleider
2 Knop	14 Antisplinterinrichting	26 Schroefknop
3 Accu	15 Stofzuigmondstuk	27 Pin van cirkelgeleider
4 Zaagactie-keuzehendel	16 Slang voor stofzuiger	28 Lineaalstaaf
5 Uit-vergrendelknop	17 Zaaglijn	29 Geleiderailadapter
6 Trekkerschakelaar	18 Bout	30 Geleiderail
7 Gereedschapsopener	19 Schuine sleuf	31 Bout
8 Zaagbladklem	20 Schaalverdelingen	32 Limietmarkering
9 Figuurzaagblad	21 V-inkeping	33 Dop van koolborstelhouder
10 Uitsteeksels	22 Tandwielhuis	34 Schroevendraaier
11 Voet	23 Startgaatje	
12 Inbusseutel	24 Breedtegeleider	

**TECHNISCHE GEGEVENS**

Model		BJV140	BJV180
Slaglengte		26 mm	26 mm
Max. snijcapaciteit	Hout	135 mm	135 mm
	Zacht staal	10 mm	10 mm
	Aluminium	20 mm	20 mm
Aantal slagen per minuut (min <sup>-1</sup> )		0 – 2 600	0 – 2 600
Gesamtlänge		255 mm	257 mm
Nettogewicht		2,7 kg	2,8 kg
Nominale spanning		DC 14,4 V	DC 18 V

- In verband met ononderbroken research en ontwikkeling behouden wij ons het recht voor bovenstaande technische gegevens te wijzigen zonder voorafgaande kennisgeving.
- Opmerking: De technische gegevens kunnen van land tot land verschillen.

**Doeleinden van gebruik**

Dit gereedschap is bedoeld voor het zagen van hout, kunststof en metalen materialen. Een uitgebreide keuze van accessoires en zaagbladen staat ter beschikking, zodat het gereedschap voor talrijke doeleinden kan worden gebruikt en optimaal geschikt is voor het zagen van bogen en cirkels.

**Veiligheidswenken**

Voor uw veiligheid dient u de bijgevoegde Veiligheidsvoorschriften nauwkeurig op te volgen.

**AANVULLENDE VEILIGHEIDSVOORSCHRIFTEN**

**Laat u NIET misleiden door een vals gevoel van comfort en bekendheid met het gereedschap (na veelvuldig gebruik) en neem alle veiligheidsvoorschriften van de decoupeerzaag altijd strikt in acht. Bij onveilig of verkeerd gebruik van het elektrisch gereedschap, bestaat de kans op ernstig persoonlijk letsel.**

1. Houd elektrisch gereedschap vast aan het geïsoleerde oppervlak van de handgrepen wanneer u werkt op plaatsen waar het zaaggereedschap met verborgen bedrading of zijn eigen snoer in aanraking kan komen. Door contact met onder spanning staande draden, zullen de niet-geïsoleerde metalen delen van het gereedschap onder spanning komen te staan zodat de gebruiker een elektrische schok kan krijgen.
2. Gebruik klemmen of een andere praktische methode om het werkstuk op een stabiele ondergrond te bevestigen en ondersteunen. Als u het werkstuk in uw hand of tegen uw lichaam geklemd houdt, is het onvoldoende stabiel en kunt u de controle erover verliezen.
3. Draag altijd een veiligheidsbril. Een gewone bril of een zonnebril is GEEN veiligheidsbril.
4. Vermijd het zagen op spijkers. Inspecteer het werkstuk vooraf op de aanwezigheid van spijkers en verwijder deze voordat u met het werk begint.
5. Ook niet voor het zagen van zeer grote werkstukken.

6. Controleer vooraf of er voldoende vrije ruimte is achter het werkstuk om te voorkomen dat het zaagblad tegen een vloer, een werkbank e.d. stoot.
7. Houd het gereedschap stevig vast.
8. Zorg ervoor dat het zaagblad niet in contact is met het werkstuk voordat u de spanning inschakelt.
9. Houd uw handen uit de buurt van de bewegende delen.
10. Schakel altijd het gereedschap uit als u weg moet. Schakel het gereedschap alleen in als u het in handen houdt.
11. Schakel altijd uit en wacht tot het zaagblad volledig tot stilstand is gekomen, alvorens het gereedschap van het werkstuk te verwijderen.
12. Raak onmiddellijk na gebruik het zaagblad of het werkstuk niet aan, aangezien het nog gloeiend heet kan zijn en brandwonden kan veroorzaken.
13. Laat het gereedschap niet onnodig onbelast draaien.
14. Sommige materialen bevatten chemische stoffen die vergiftig kunnen zijn. Vermijd inademing van stof en contact met de huid. Volg de veiligheidsinstructies van de leverancier van het materiaal.
15. Gebruik altijd het juiste stofmasker/ademhalingsapparaat voor het materiaal en de toepassing waarmee u werkt.

## BEWAAR DEZE VOORSCHRIFTEN.

### WAARSCHUWING:

**VERKEERD GEBRUIK** of het niet naleven van de veiligheidsvoorschriften in deze gebruiksaanwijzing kan leiden tot ernstige verwondingen.

## BELANGRIJKE

### VEILIGHEIDSVOORSCHRIFTEN VOOR ACCU

1. Lees alle voorschriften en waarschuwingen op (1) de acculader, (2) de accu, en (3) het product waarvoor de accu wordt gebruikt, aandachtig door alvorens de acculader in gebruik te nemen.
2. Neem de accu niet uit elkaar.
3. Als de gebruiktijd van een opgeladen accu aanzienlijk korter is geworden, moet u het gebruik ervan onmiddellijk stopzetten. Voortgezet gebruik kan oververhitting, brandwonden en zelfs een ontploffing veroorzaken.
4. Als er elektrolyt in uw ogen is terechtgekomen, spoel dan uw ogen met schoon water en roep onmiddellijk de hulp van een dokter in. Elektrolyt in de ogen kan blindheid veroorzaken.
5. Voorkom kortsluiting van de accu:
  - (1) Raak de accuklemmen nooit aan met een geleidend materiaal.
  - (2) Bewaar de accu niet in een bak waarin andere metalen voorwerpen zoals spijkers, munten e.d. worden bewaard.
  - (3) Stel de accu niet bloot aan water of regen. Kortsluiting van de accu kan oorzaak zijn van een grote stroomafgifte, oververhitting, brandwonden, en zelfs defecten.
6. Bewaar het gereedschap en de accu niet op plaatsen waar de temperatuur kan oplopen tot 50°C of hoger.

7. Werp de accu nooit in het vuur, ook niet wanneer hij zwaar beschadigd of volledig versleten is. De accu kan namelijk ontploffen in het vuur.
8. Wees voorzichtig dat u de accu niet laat vallen en hem niet blootstelt aan schokken of stoten.

## BEWAAR DEZE VOORSCHRIFTEN.

### Tips voor een maximale levensduur van de accu

1. Laad de accu op voordat hij volledig ontladen is. Stop het gebruik van het gereedschap en laad de accu op telkens wanneer u vaststelt dat het vermogen van het gereedschap is afgenomen.
2. Laad een volledig opgeladen accu nooit opnieuw op. Als u de accu te veel oplaadt, zal hij minder lang meegaan.
3. Laad de accu op bij een kamertemperatuur tussen 10°C en 40°C. Laat een warme accu afkoelen alvorens hem op te laden.

## BESCHRIJVING VAN DE FUNCTIES

### LET OP:

- Zorg altijd dat het gereedschap is uitgeschakeld en de accu ervan is verwijderd alvorens de functies op het gereedschap af te stellen of te controleren.

### Installeren of verwijderen van de accu (Fig. 1)

- Schakel het gereedschap altijd uit alvorens de accu te installeren of te verwijderen.
- Om de accu uit het gereedschap te halen, verschuift u de knop op de voorkant van de accu en trekt u de accu eraf.
- Om de accu te installeren, doet u de tong op de accu overeenkomen met de groef in de behuizing en dan schuift u de accu erin. Schuif de accu zo ver mogelijk erin totdat deze op zijn plaats vastklikt. Wanneer het rode gedeelte op de bovenkant van de knop nog zichtbaar is, zit de accu niet volledig erin. Schuif hem volledig erin totdat het rode gedeelte niet meer zichtbaar is. Als u dit niet doet, kan de accu per ongeluk eruit vallen en uzelf of andere personen in uw omgeving verwonden.
- Probeer nooit om de accu met geweld erin te duwen. Als de accu er niet gemakkelijk ingaat, betekent dit dat u hem niet op de juiste wijze erin steekt.

## Selecteren van de zaagactie (Fig. 2)

Dit gereedschap kan met twee zaagacties worden gebruikt: Zagen in een cirkelbaan of in rechte lijn (op en neer). Tijdens zagen in een cirkelbaan, wordt het zaagblad door de zaagactie naar voren geduwd en vermeerderd de zaagsnelheid aanzienlijk.

Om de zaagactie te veranderen, draait u gewoon de zaagactie-keuzehendel naar de gewenste stand. Zie de onderstaande tabel voor het selecteren van de zaagactie.

Stand	Zaagactie	Toepassingen
0	Zagen in rechte lijn	Zagen van zacht staal, roestvrij staal en plastic. Schoon zagen van hout en gelaagd hout.
I	Zagen in kleine cirkelbaan	Zagen van zacht staal, aluminium en hard hout.
II	Zagen in middelgrote cirkelbaan	Zagen van hout en gelaagd hout. Snel zagen in aluminium en zacht staal.
III	Zagen in grote cirkelbaan	Snel zagen in hout en gelaagd hout.

## Werking van de schakelaar (Fig. 3 en 4)

LET OP:

- Alvorens het netsnoer op het stopcontact aan te sluiten, dient u altijd te controleren of de trekkerschakelaar juist werkt en bij loslaten naar de "OFF" positie terugkeert.
- Wanneer u het gereedschap niet gebruikt, drukt u op de uit-vergrendelknop vanaf de A-kant om de aan/uit-schakelaar te vergrendelen in de uit-stand.

Om te voorkomen dat de aan/uit-schakelaar per ongeluk wordt bediend, is de uit-vergrendelknop aangebracht.

Om het gereedschap te starten, drukt u vanaf de B-kant op de uit-vergrendelknop in en knijpt u de aan/uit-schakelaar in.

De draaisnelheid van het gereedschap neemt toe naarmate u meer druk uitoefent op de aan/uit-schakelaar. Laat de aan/uit-schakelaar los om het gereedschap te stoppen. Na gebruik, vergeet u niet vanaf de A-kant op de uit-vergrendelknop te drukken.

## Aanzetten van de lampen

LET OP:

- Kijk niet direct in het licht of de lichtbron.

Druk de trekker in om de lamp aan te zetten. Laat de trekker los om de lamp uit te doen.

OPMERKING:

- Gebruik een droge doek om vuil op de lampen eraf te vegen. Let op dat u geen krassen maakt op de lampen, aangezien de verlichtingssterkte daardoor zal verminderen.

## INEENZETTEN

LET OP:

- Controleer altijd of het gereedschap is uitgeschakeld en de accu ervan is verwijderd alvorens enig werk aan het gereedschap uit te voeren.

## Installeren of verwijderen van het zaagblad

LET OP:

- Verwijder altijd alle spaanders of verontreinigingen van het zaagblad en/of de zaagbladhouder. Als u dit verzuimt, bestaat er kans dat het zaagblad niet goed vastgezet zal zijn, hetgeen ernstige verwonding kan veroorzaken.
- Raak het zaagblad of het werkstuk niet aan onmiddellijk na het gebruik; deze kunnen gloeiend heet zijn en brandwonden veroorzaken.
- Zet het zaagblad goed vast, omdat er anders gevaar is voor ernstige verwonding.
- Wees bij het verwijderen van het zaagblad voorzichtig dat u uw vingers niet verwondt aan de bovenkant van het zaagblad of de werkstukspaanders.

Om het zaagblad aan te brengen, opent u de gereedschapsopener tot de stand aangegeven in de afbeelding. (Fig. 5)

Houd de opener in die positie en steek het zaagblad zo ver in de zaagbladklem dat de twee uitsteeksels van het zaagblad niet meer zichtbaar zijn. (Fig. 6)

Breng de gereedschapsopener terug naar zijn oorspronkelijke positie. Nadat het zaagblad geïnstalleerd is, moet u er even aan trekken om te controleren of het goed vast zit.

LET OP:

- Open de gereedschapsopener niet te ver, omdat het gereedschap daardoor beschadigd kan raken.

Om het zaagblad te verwijderen, opent u de gereedschapsopener tot de stand aangegeven in de afbeelding. (Fig. 7) Trek het zaagblad eruit in de richting van de gereedschapsvoet.

OPMERKING:

- Smeer regelmatig de rol.

## Opbergplaats voor de inbussleutel (Fig. 8)

Wanneer u de inbussleutel niet gebruikt, bergt u deze op de plaats aangegeven in de afbeelding op, om te voorkomen dat deze wordt verloren.

## Dekplaat (Fig. 9)

Gebruik de dekplaat wanneer u decoratiefineerhout, kunststof e.d. zaagt. Deze plaat beschermt gevoelige of tere oppervlakken tegen beschadiging. Bevestig de plaat op de onderzijde van de gereedschapsvoet.

## Antisplinterinrichting (Fig. 10)

Om splintervrije zaagsneden te krijgen, kunt u de anti-splinterinrichting gebruiken. Om deze te installeren, schuift u de gereedschapsvoet helemaal naar voren en dan bevestigt u de inrichting vanaf de onderzijde van de voet. Wanneer u de dekplaat gebruikt, installeert u de anti-splinterinrichting op de dekplaat.

LET OP:

- De anti-splinterinrichting kan niet gebruikt worden voor zagen onder een schuine hoek.

## Stofafzuiging

Gebruik bij voorkeur het stofzuigmondstuk (optioneel accessoire) om schoner te kunnen werken. (Fig. 11)

Om het stofzuigmondstuk op het gereedschap te monteren, steekt u de haak van het stofzuigmondstuk in het gat in de gereedschapsvoet.

Het stofzuigmondstuk kan aan de linker of rechter zijde van de voet worden geïnstalleerd. (Fig. 12)

Sluit daarna een Makita stofzuiger aan op het stofzuigmondstuk. (Fig. 13)

## BEDIENING

LET OP:

- Houd de voet van het gereedschap altijd vlak met het werkstuk. Als u dit niet doet, kan het zaagblad breken, hetgeen ernstige verwonding kan veroorzaken. (Fig. 14)

Schakel het gereedschap in zonder dat het zaagblad iets raakt en wacht tot het zaagblad op volle snelheid draait. Plaats dan de voet van het gereedschap vlak op het werkstuk en beweeg het gereedschap langzaam naar voren langs de van te voren op het werkstuk aangebrachte zaaglijn.

OPMERKING:

- Als u het gereedschap doorlopend gebruikt totdat de accu volledig ontladen is, moet u het gereedschap 15 minuten laten rusten alvorens met een nieuwe accu verder te werken.

Voor het zagen van bochten dient het gereedschap zeer langzaam naar voren te worden bewogen.

## Zagen onder een schuine hoek (Fig. 15)

LET OP:

- Zorg er altijd voor dat de machine is uitgeschakeld en de accu is verwijderd, voordat u de voet kantelt.

Door de gereedschapsvoet schuin te zetten kunt u schuin zagen bij een willekeurige hoek tussen 0° en 45° (links of rechts).

Draai met de inbussleutel de bout aan de achterkant van de voet los. Beweeg de voet zodat de bout vlak in het midden van de schuine sleuf in de voet komt te zitten. (Fig. 16)

Kantel de gereedschapsvoet om de gewenste schuine hoek te krijgen. De V-inkeping in het tandwielhuis geeft de schuine hoek in schaalverdelingen aan. Draai daarna de bout vast om de voet vast te zetten. (Fig. 17)

## Zagen tot helemaal tegen de kant

Draai met de inbussleutel de bout aan de achterkant van de voet los en schuif de gereedschapsvoet helemaal naar achteren. Draai daarna de bout vast om de voet vast te zetten. (Fig. 18)

## Figuren uitzagen

Voor het uitzagen van figuren kunt u methode A of B gebruiken.

### A) Vorboren van een startgaatje (Fig. 19):

Om figuren onmiddellijk in het midden van het werkstuk uit te zagen, en dus niet vanaf de rand, dient u eerst een startgaatje met een diameter van 12 mm of meer te boren. Steek het zaagblad door dit gaatje en begin dan met te zagen.

### B) Invalzagen (Fig. 20):

U hoeft geen startgaatje te boren of geen geleidende te maken indien u voorzichtig als volgt te werk gaat.

1. Houd het gereedschap schuin voorover door alleen het voorste gedeelte van de voet op het werkstuk te laten rusten, met de punt van het zaagblad net boven het werkstukoppervlak.
2. Oefen een beetje druk uit op het gereedschap om te voorkomen dat de voorrand van de voet kan bewegen, en schakel het gereedschap in. Laat het achterste van het gereedschap langzaam zakken.
3. Naarmate het zaagblad door het werkstuk heen zaagt, laat u de voet van het gereedschap langzaam op het werkstukoppervlak zakken.
4. Zaag verder op de normale manier.

## Afwerken van de randen (Fig. 21)

Voor het afwerken van randen of voor nauwkeurig op maat zagen, laat u het zaagblad lichtjes langs de gezaagde randen lopen.

## Zagen van metaal

Voor het zagen van metaal dient u altijd een geschikt koelmiddel (snijolie) te gebruiken. Wanneer u dit niet doet, zal het zaagblad snel slijten. In plaats van een koelmiddel te gebruiken, kunt u ook de onderkant van het werkstuk invetten.

## Breedtegeleider-set (optioneel accessoire)

LET OP:

- Zorg er altijd voor dat de machine is uitgeschakeld en de accu is verwijderd, voordat u accessoires monteert of verwijdert.

### 1. Rechte stukken zagen (Fig. 22 en 23)

Wanneer u herhaaldelijk stukken die 160 mm of minder breed zijn wilt zagen, kunt u snel rechte en schone sneden krijgen door de breedtegeleider te gebruiken. Om de breedtegeleider te installeren, steekt u deze met zijn geleider naar beneden gericht door de rechthoekige opening op de zijkant van de gereedschapsvoet. Schuif de breedtegeleider naar de positie van de gewenste breedte, en draai dan de bout vast om hem vast te zetten.

## 2. Cirkels en bogen zagen (Fig. 24 en 25)

Wanneer u cirkels of bogen met een straal van 170 mm of minder wilt zagen, dient u de breedtegeleider als volgt te installeren.

Steek de breedtegeleider met zijn geleider naar boven gericht door de rechthoekige opening op de zijkant van de gereedschapsvoet. Steek de pin van de cirkelgeleider door een van de twee gaatjes in de geleider. Zet de pin vast door de schroefknop erop te schroeven. Schuif nu de breedtegeleider naar de positie van de gewenste straal, en zet deze vast door de bout vast te draaien. Schuif daarna de voet van het gereedschap helemaal naar voren.

OPMERKING:

- Gebruik altijd zaagbladen Nr. B-17, B-18, B-26 of B-27 wanneer u cirkels of bogen wilt zagen.

## Geleiderailadapter-set (accessoire) (Fig. 26)

Wanneer u evenwijdige stukken van gelijke breedte wilt zagen of recht wilt zagen, kunt u snel en schoon zagen door de geleiderail en de geleiderailadapter te gebruiken. Om de geleiderailadapter te installeren, steekt u de lineaalstaaf zo ver mogelijk in de vierkante opening in de gereedschapsvoet. Draai de bout goed vast met de inbussleutel. (Fig. 27)

Monteer de geleiderailadapter op de rail van de geleiderail. Steek de lineaalstaaf in de vierkante opening in de geleiderailadapter. Plaats de gereedschapsvoet tegen de zijkant van de geleiderail en draai de bout stevig vast. (Fig. 28)

LET OP:

- Gebruik altijd de zaagbladen Nr. B-8, B-13, B-16, B-17 of 58 wanneer u de geleiderail en de geleiderailadapter wilt gebruiken.

## ONDERHOUD

LET OP:

- Zorg altijd dat het gereedschap is uitgeschakeld en de accu ervan is verwijderd alvorens te beginnen met onderhoud of inspectie.

## Vervangen van de koolborstels (Fig. 29 en 30)

Verwijder en controleer regelmatig de koolborstels. Vervang de koolborstels wanneer ze tot aan de limietmarkering versleten zijn. Houd de koolborstels schoon zodat ze goed in de houders glijden. Beide koolborstels dienen tegelijkertijd te worden vervangen. Gebruik uitsluitend identieke koolborstels.

Gebruik een schroevendraaier om de doppen van de koolborstelhouders te verwijderen. Haal de versleten borstels eruit, steek de nieuwe erin, en zet de doppen weer goed vast.

Om de VEILIGHEID en BETROUWBAARHEID van het product te handhaven, dienen alle reparaties en alle andere onderhoudswerkzaamheden of afstellingen te worden uitgevoerd door een erkend Makita Servicecentrum, en dat uitsluitend met gebruik van Makita vervangsonderdelen.

## ACCESSOIRES

LET OP:

- Deze accessoires of hulpstukken worden aanbevolen voor gebruik met het Makita gereedschap dat in deze gebruiksaanwijzing is beschreven. Bij gebruik van andere accessoires of hulpstukken bestaat er gevaar voor persoonlijke verwonding. Gebruik de accessoires of hulpstukken uitsluitend voor hun bestemde doel.

Raadpleeg het dichtstbijzijnde Makita Servicecentrum voor verder advies of bijzonderheden omtrent deze accessoires.

- Figuurzaagblad
- Inbussleutel 4
- Breedtegeleider-set (Geleidelineaal-set)
- Geleiderailadapter-set
- Geleiderail-set
- Antisplinterinrichting
- Dekplaat
- Stofzuigmondstuk
- Diverse types originele Makita accu's en acculaders

**Explicación de los dibujos**

1	Parte roja	12	Llave hexagonal	24	Guía de apoyo
2	Botón	13	Placa de rozamiento	25	Guía lateral
3	Cartucho de batería	14	Dispositivo antiastillas	26	Perilla roscada
4	Palanca de cambio de la acción de corte	15	Tubo de aspiración	27	Pasador para la guía circular
5	Botón de desbloqueo	16	Manguera para aspirador	28	Regla
6	Gatillo interruptor	17	Línea de corte	29	Adaptador para carril de guía
7	Abridor de la herramienta	18	Perno	30	Carril de guía
8	Mordaza para sierra	19	Ranura de bisel	31	Tornillo
9	Hoja de sierra de calar	20	Graduaciones	32	Marca límite
10	Protusiones	21	Muesca en V	33	Tapón portaescobillas
11	Base	22	Alojamiento de engranajes	34	Destornillador
		23	Agujero de inicio		

**ESPECIFICACIONES**

Modelo		BJV140	BJV180
Longitud de carrera		26 mm	26 mm
Capacidad máxima de corte	Madera	135 mm	135 mm
	Acero suave	10 mm	10 mm
	Aluminio	20 mm	20 mm
Carreras por minuto (min <sup>-1</sup> )		0 – 2.600	0 – 2.600
Longitud total		255 mm	257 mm
Peso neto		2,7 kg	2,8 kg
Tensión nominal		CC 14,4 V	CC 18 V

- Debido a un programa continuo de investigación y desarrollo, las especificaciones aquí dadas están sujetas a cambios sin previo aviso.
- Nota: Las especificaciones pueden ser diferentes de país a país.

**Uso previsto**

La herramienta ha sido prevista para serrar madera, plástico y materiales metálicos. Gracias a la variedad de accesorios y tipos de sierras para diversos usos existentes, la herramienta puede utilizarse para muchas tareas y es muy apropiada para cortes curvados y circulares.

**Sugerencias de seguridad**

Para su propia seguridad, consulte las instrucciones de seguridad incluidas.

**NORMAS DE SEGURIDAD ESPECÍFICAS**

NO deje que la comodidad o familiaridad con el producto (a base de utilizarlo repetidamente) sustituya la estricta observancia de las normas de seguridad para la sierra caladora. Si utiliza esta herramienta eléctrica de forma no segura o incorrecta, podrá sufrir graves heridas personales.

1. Sujete las herramientas eléctricas por las superficies de aislamiento aisladas cuando realice una operación en la que la herramienta de corte pueda entrar en contacto con cableado oculto o con su propio cable. El contacto con un cable con corriente hará que la corriente circule por las partes metálicas expuestas de la herramienta y podrá electrocutar al operario.

2. Utilice mordazas u otros medios de sujeción prácticos para sujetar y apoyar la pieza de trabajo en una plataforma estable. Sujetada con la mano o contra su cuerpo, la pieza de trabajo estará inestable y podrá ocasionar la pérdida del control.
3. Utilice siempre gafas de seguridad o pantalla facial. Las gafas normales o de sol NO sirven para proteger los ojos.
4. Evite cortar clavos. Inspeccione la pieza de trabajo y extraiga todos los clavos antes de efectuar el corte.
5. No corte una pieza de trabajo de gran tamaño.
6. Verifique que haya espacio suficiente por detrás de la pieza de trabajo antes de empezar a cortar, de forma que la hoja de sierra no golpee contra el suelo, el banco de trabajo, etc.
7. Sostenga la herramienta firmemente.
8. Asegúrese de que la cuchilla no esté haciendo contacto con la pieza de trabajo antes de que se conecte el interruptor.
9. Mantenga las manos alejadas de las piezas móviles.
10. No deje la herramienta funcionando. Opere la herramienta solamente cuando la esté sosteniendo con las manos.
11. Cuando desconecte la herramienta, espere siempre a que la cuchilla se detenga completamente antes de separar la cuchilla de la pieza de trabajo.
12. No toque la cuchilla ni la pieza de trabajo inmediatamente después de la operación; puede que estén extremadamente calientes y le produzcan quemaduras en la piel.

13. No haga funcionar la herramienta sin carga innecesariamente.
14. Algunos materiales contienen sustancias químicas que podrán ser tóxicas. Tenga precaución para evitar la inhalación de polvo y el contacto con la piel. Siga los datos de seguridad del abastecedor del material.
15. Utilice siempre la mascarilla contra el polvo o el respirador correcto para el material con que esté trabajando y la aplicación que realice.

## GUARDE ESTAS INSTRUCCIONES.

### ADVERTENCIA:

El MAL USO o el no seguir las normas de seguridad establecidas en este manual de instrucciones podrá ocasionar graves heridas personales.

## INSTRUCCIONES DE SEGURIDAD IMPORTANTES PARA EL CARTUCHO DE BATERÍA

1. Antes de utilizar el cartucho de batería, lea todas las instrucciones e indicaciones de precaución sobre (1) el cargador de baterías, (2) la batería, y (3) el producto con el que se utiliza la batería.
2. No desarme el cartucho de batería.
3. Si el tiempo de uso del cartucho de batería se acorta demasiado, deje de usarlo inmediatamente. Podría resultar en un riesgo de recalentamiento, posibles quemaduras e incluso una explosión.
4. Si entra electrólito en sus ojos, aclárelos con agua limpia y vea a un médico inmediatamente. Existe el riesgo de poder perder la vista.
5. No cortocircuite el cartucho de batería:
  - (1) No toque los terminales con ningún material conductor.
  - (2) Evite guardar el cartucho de batería en un cajón junto con otros objetos metálicos, tales como clavos, monedas, etc.
  - (3) No exponga el cartucho de batería al agua ni a la lluvia.

Un cortocircuito en la batería puede producir una gran circulación de corriente, un recalentamiento, posibles quemaduras e incluso una rotura de la misma.
6. No guarde la herramienta ni el cartucho de batería en lugares donde la temperatura pueda alcanzar o exceder los 50°C.
7. Nunca incinere el cartucho de batería incluso en el caso de que esté dañado seriamente o ya no sirva en absoluto. El cartucho de batería puede explotar si se tira al fuego.
8. Tenga cuidado de no dejar caer ni golpear el cartucho de batería.

## GUARDE ESTAS INSTRUCCIONES.

## Consejos para alargar al máximo la vida de servicio de la batería

1. Cargue el cartucho de batería antes de que se descargue completamente. Pare siempre la operación y cargue el cartucho de batería cuando note menos potencia en la herramienta.
2. No cargue nunca un cartucho de batería que esté completamente cargado. La sobrecarga acortará la vida de servicio de la batería.
3. Cargue el cartucho de batería a temperatura ambiente de 10°C – 40°C. Si un cartucho de batería está caliente, déjelo enfriar antes de cargarlo.

## DESCRIPCIÓN DEL FUNCIONAMIENTO

### PRECAUCIÓN:

- Asegúrese siempre de que la herramienta esté apagada y el cartucho de batería extraído antes de realizar cualquier ajuste o comprobación en la herramienta.

### Instalación o desmontaje del cartucho de batería (Fig. 1)

- Apague siempre la herramienta antes de insertar o extraer el cartucho de batería.
- Para extraer el cartucho de batería, sáquelo de la herramienta a la vez que desliza el botón de la parte frontal del cartucho.
- Para insertar el cartucho de batería, alinee la lengüeta del cartucho de batería con la acanaladura del alojamiento y deslícelo hasta encajarlo en su sitio. Insértelo siempre a tope hasta que quede bloqueado en su sitio produciendo un chasquido. Si puede ver la parte roja del lado superior del botón, no estará bloqueado completamente. Insértelo completamente hasta que no pueda verse la parte roja. De lo contrario, podrá caerse de la herramienta accidentalmente, pudiendo ocasionarle heridas a usted o a alguien cerca de usted.
- No emplee fuerza cuando inserte el cartucho de batería. Si el cartucho no se desliza al interior fácilmente, será porque no está siendo insertado correctamente.

## Selección de la acción de corte (Fig. 2)

Esta herramienta se puede utilizar con una acción de corte orbital o de línea recta. (hacia arriba y hacia abajo). La acción de corte orbital empuja hacia delante a la hoja de sierra en el recorrido de corte y aumenta notablemente la velocidad de corte.

Para cambiar la acción de corte, no tiene más que girar la palanca de cambio de la acción de corte hasta la posición de acción de corte deseada. Para seleccionar la acción de corte consulte la tabla de abajo.

Posición	Acción de corte	Aplicaciones
0	Acción de corte de línea recta	Para cortar acero blando, acero inoxidable y plásticos. Para cortar limpiamente madera y contrachapado.
I	Acción de corte con pequeña órbita	Para cortar acero blando, aluminio y madera dura.
II	Acción de corte con mediana órbita	Para cortar madera y contrachapado. Para cortar rápidamente aluminio y acero blando.
III	Acción de corte con gran órbita	Para cortar rápidamente madera y contrachapado.

## Accionamiento del interruptor (Fig. 3 y 4)

### PRECAUCIÓN:

- Antes de enchufar la herramienta, compruebe siempre que el gatillo interruptor se acciona correctamente y que vuelve a la posición "OFF" cuando lo suelta.
- Cuando no vaya a utilizar la herramienta, presione hacia dentro el botón de desbloqueo del lado B para bloquear el gatillo interruptor en la posición OFF.

Para evitar que el gatillo pueda accionarse accidentalmente, se ha provisto el botón de desbloqueo.

Para poner en marcha la herramienta, presione hacia dentro el botón de desbloqueo del lado B y apriete el gatillo interruptor.

La velocidad de la herramienta aumenta incrementando la presión en el gatillo interruptor. Suelte el gatillo interruptor para parar. Después de la utilización, presione siempre hacia dentro el botón de desbloqueo del lado A.

## Encendido de las lámparas

### PRECAUCIÓN:

- No mire a la luz ni vea la fuente de luz directamente.

Para encender la lámpara, apriete el gatillo. Suelte el gatillo para apagarla.

### NOTA:

- Utilice un paño seco para quitar la suciedad de la lente de la lámpara. Tenga cuidado de no rayar la lente de la lámpara, porque podrá disminuir la iluminación.

## MONTAJE

### PRECAUCIÓN:

- Asegúrese siempre de que la herramienta esté apagada y el cartucho de batería extraído antes de realizar cualquier trabajo en la herramienta.

## Instalación o extracción de la hoja de sierra

### PRECAUCIÓN:

- Limpie siempre todas las virutas o materias extrañas adheridas a la hoja de sierra y/o al portahoja de sierra. Si no lo hace así, podrá dar lugar a un apriete insuficiente de la hoja de sierra con el posible riesgo de sufrir lesiones graves.
- No toque la hoja de sierra ni la pieza de trabajo inmediatamente después de la tarea de corte; podrían estar muy calientes y producirle quemaduras de piel.
- Apriete la hoja de sierra firmemente. El no hacerlo podrá acarrear heridas de gravedad.

- Cuando vaya a desmontar la sierra, tenga cuidado de no lastimarse los dedos con la punta de la sierra o las rebabas de la pieza de trabajo.

Para instalar la hoja de sierra, abra el abridor de la herramienta hasta la posición mostrada en la figura. (Fig. 5)

En esa posición, introduzca la hoja de sierra en la mordaza para sierra hasta que los dos salientes de la sierra dejen de verse. (Fig. 6)

Vuelva a poner el abridor de la herramienta en su posición original. Después de instalar la hoja de sierra, asegúrese siempre de que la hoja esté firmemente sujeta en su sitio intentando sacarla con la mano.

### PRECAUCIÓN:

- No abra el abridor de la herramienta excesivamente, porque podría dañar la herramienta.

Para quitar la hoja de sierra, abra el abridor de la herramienta hasta la posición mostrada en la figura. (Fig. 7) Tire de la hoja de sierra hacia la base para sacarla.

### NOTA:

- Lubrique el rodillo de vez en cuando.

## Para guardar la llave hexagonal (Fig. 8)

Cuando no la esté utilizando, coloque la llave hexagonal como se muestra en la figura para evitar perderla.

## Placa de rozamiento (Fig. 9)

Utilice la placa de rozamiento cuando corte chapas de revestimiento decorativas, plásticos, etc. Protege las superficies sensibles o delicadas contra daños. Encájela en la parte posterior de la base de la herramienta.

## Dispositivo anti-astillas (Fig. 10)

Para cortes sin astillas, se puede utilizar el dispositivo anti-astillas. Para instalar el dispositivo anti-astillas, mueva la base de la herramienta hacia delante a tope y encájelo en la parte posterior de la base de la herramienta. Cuando utilice la placa de rozamiento, instale el dispositivo anti-astillas en la placa de rozamiento.

### PRECAUCIÓN:

- Cuando haga cortes en bisel no podrá utilizar el dispositivo antiastillas.



## Extracción de polvo

Se recomienda utilizar el tubo de aspiración (accesorio opcional) para realizar operaciones de corte limpias. (Fig. 11)

Para colocar el tubo de aspiración en la herramienta, inserte el gancho del tubo de aspiración en el agujero de la base.

El tubo de aspiración se puede colocar bien en el lado derecho o bien en el izquierdo. (Fig. 12)

Después conecte un aspirador Makita al tubo de aspiración. (Fig. 13)

## OPERACIÓN

### PRECAUCIÓN:

- Sujete siempre la base de la herramienta plana contra la pieza de trabajo. En caso contrario, la hoja de sierra podrá romperse, y ocasionarle graves lesiones. (Fig. 14)

Encienda la herramienta sin que la hoja de sierra esté tocando nada y espere hasta que la hoja de sierra alcance plena velocidad. Luego apoye la base de la herramienta plana sobre la pieza de trabajo y desplace suavemente la herramienta hacia delante siguiendo la línea de corte marcada previamente.

### NOTA:

- Si utiliza la herramienta continuamente hasta descargar el cartucho de batería, deje descansar la herramienta durante 15 minutos antes de proceder con una batería fresca.

Cuando corte curvas, avance la herramienta muy lentamente.

## Corte en bisel (Fig. 15)

### PRECAUCIÓN:

- Asegúrese siempre de que la herramienta esté apagada y el cartucho de batería extraído antes de inclinar la base.

Inclinando la base, podrá hacer cortes en bisel a cualquier ángulo comprendido entre 0° y 45° (izquierdo o derecho).

Afloje el perno de la parte posterior de la base con la llave hexagonal. Mueva la base de forma que el perno quede posicionado en el centro de la ranura de bisel de la base. (Fig. 16)

Incline la base hasta obtener el ángulo de bisel deseado. La muesca en V del alojamiento de engranajes indica el ángulo de bisel en graduaciones. Después apriete firmemente el perno para sujetar la base. (Fig. 17)

## Cortes con tope en la parte delantera

Afloje el perno de la parte trasera de la base con la llave hexagonal y deslice la base hacia atrás a tope. Luego apriete el perno para sujetar la base de la herramienta. (Fig. 18)

## Corte de aberturas

Los cortes de aberturas pueden realizarse con cualquiera de los dos métodos A o B.

### A) Perforando un agujero de arranque (Fig. 19):

Para hacer un agujero interno sin un corte de arranque desde el borde, perfora un agujero de inicio de 12 mm o más de diámetro. Inserte la hoja de sierra en este agujero para iniciar la abertura.

### B) Corte calado (Fig. 20):

Si realiza lo siguiente con cuidado, no necesitará perforar un agujero de arranque o hacer un corte desde el borde.

1. Incline la herramienta hacia delante sobre el borde delantero de la base, con la punta de la hoja de sierra situada justo por encima de la superficie de la pieza de trabajo.
2. Aplique presión sobre la herramienta para que el borde delantero de la base no se mueva cuando ponga en marcha la herramienta y baje con cuidado gradualmente la parte posterior de la herramienta.
3. Según la hoja de sierra vaya penetrando en la pieza de trabajo, baje gradualmente la base de la herramienta hasta la superficie de la pieza de trabajo.
4. Complete el corte de manera normal.

## Suavizamiento de bordes (Fig. 21)

Para suavizar bordes o hacer ajustes dimensionales, pase la hoja de sierra a lo largo de bordes cortados.

## Corte de metales

Utilice siempre un refrigerante adecuado (aceite de corte) cuando corte metales. Si no lo utiliza la hoja de sierra se desgastará considerablemente. En lugar de utilizar un refrigerante puede engrasar la parte inferior de la pieza de trabajo.

## Conjunto de guía de apoyo (accesorio opcional)

### PRECAUCIÓN:

- Asegúrese siempre de que la herramienta esté apagada y el cartucho de batería extraído antes de instalar o quitar accesorios.

### 1. Cortes rectos (Fig. 22 y 23)

Cuando haga cortes repetidos de 160 mm o menos de anchura, el empleo de la guía de apoyo asegurará unos cortes rápidos, limpios y rectos. Para instalarla, inserte la guía de apoyo en el orificio rectangular situado en el costado de la base de la herramienta con la guía lateral mirando hacia abajo. Deslice la guía de apoyo hasta la posición que le ofrezca la anchura de corte deseada, luego apriete el perno para sujetarla.

## 2. Cortes circulares (Fig. 24 y 25)

Cuando corte círculos o arcos de 170 mm o menos de radio, instale la guía de apoyo de la siguiente forma.

Inserte la guía de apoyo en el orificio rectangular situado en el costado de la base de la herramienta con la guía lateral mirando hacia arriba. Inserte el pasador de la guía circular en uno de los dos orificios de la guía lateral. Rosque la perilla roscada en el pasador para sujetar el pasador. Ahora deslice la guía de apoyo hasta el radio de corte deseado, y apriete el perno para sujetarla en esa posición. Luego mueva la base de la herramienta completamente hacia delante.

NOTA:

- Cuando corte círculos o arcos, utilice siempre hojas de corte N.º B-17, B-18, B-26 o B-27.

### Conjunto de adaptador para Carril de Guía (accesorio) (Fig. 26)

Al hacer cortes paralelos y de anchura uniforme o cortes rectos, el uso del carril de guía y del adaptador para carril de guía asegurará la obtención de cortes rápidos y limpios.

Para instalar el adaptador para carril de guía, inserte la regla a fondo en el agujero cuadrado de la base. Apriete el perno firmemente con la llave hexagonal. (Fig. 27)

Instale el adaptador para carril de guía en el carril del carril de guía. Inserte la regla en el agujero cuadrado del adaptador para carril de guía. Ponga la base en el costado del carril de guía y apriete el perno firmemente. (Fig. 28)

PRECAUCIÓN:

Utilice siempre hojas de sierra N.º B-8, B-13, B-16, B-17 ó 58 cuando utilice el carril de guía y el adaptador para carril de guía.

## MANTENIMIENTO

PRECAUCIÓN:

- Asegúrese siempre de que la herramienta esté apagada y el cartucho de batería extraído antes de intentar realizar una inspección o mantenimiento.

### Reemplazo de las escobillas de carbón (Fig. 29 y 30)

Extraiga e inspeccione las escobillas de carbón regularmente. Reemplácelas cuando se hayan desgastado hasta la marca límite. Mantenga las escobillas de carbón limpias de forma que entren libremente en los portaescobillas. Deberán reemplazarse ambas escobillas de carbón al mismo tiempo. Utilice únicamente escobillas de carbón idénticas.

Utilice un destornillador para quitar los tapones portaescobillas. Extraiga las escobillas desgastadas, inserte las nuevas y vuelva a colocar los tapones portaescobillas.

Para mantener la SEGURIDAD y la FIABILIDAD del producto, las reparaciones y cualquier otro mantenimiento o ajuste deberán ser realizados por los centros de servicio autorizado de Makita, siempre con piezas de repuesto de Makita.

## ACCESORIOS

PRECAUCIÓN:

- Estos accesorios o aditamentos están recomendados para su uso con la herramienta Makita especificada en este manual. El uso de cualquier otro accesorio o aditamento puede suponer un riesgo de lesiones personales. Utilice el accesorio o aditamento exclusivamente para su uso declarado.

Si necesita información más detallada sobre estos accesorios, consulte con su centro local de servicio de Makita.

- Hoja de sierra de calar
- Llave hexagonal 4
- Conjunto de guía de apoyo (Conjunto de regla guía)
- Conjunto de adaptador para carril de guía
- Conjunto de carril de guía
- Dispositivo antiastillas
- Placa de rozamiento
- Tubo de aspiración
- Diferentes tipos de baterías y cargadores genuinos de Makita

## Explicação geral

1	Parte vermelha	13	Placa de cobertura	24	Vedação para escarificação
2	Botão	14	Mecanismo de anti-fragmentação	25	Vedação guia
3	Bateria	15	Bocal do pó	26	Botão roscado
4	Alavanca de mudança da acção de corte	16	Mangueira para o aspirador do pó	27	Haste para a guia circular
5	Botão de segurança	17	Linha de corte	28	Barra régua
6	Gatilho de interruptor	18	Perno	29	Adaptador de carril de guia
7	Abridor da ferramenta	19	Calha de bisel	30	Carril de guia
8	Suporte da lâmina	20	Graduações	31	Parafuso
9	Lâmina da serra de vaivém	21	Ranhura em V	32	Marca limite
10	Protuberância	22	Caixa do motor	33	Tampa do porta escovas
11	Base	23	Orifício de início	34	Chave de parafusos
12	Chave hexagonal				

## ESPECIFICAÇÕES

Modelo		BJV140	BJV180
Comprimento do corte		26 mm	26 mm
Capacidade máxima de corte	Madeira	135 mm	135 mm
	Aço maço	10 mm	10 mm
	Alumínio	20 mm	20 mm
Cortes por minutos (min <sup>-1</sup> )		0 – 2.600	0 – 2.600
Comprimento total		255 mm	257 mm
Peso líquido		2,7 kg	2,8 kg
Voltagem nominal		14,4 V CC	18 V CC

- Devido a um programa contínuo de pesquisa e desenvolvimento, estas especificações podem ser alteradas sem aviso prévio.
- Nota: As especificações podem variar de país para país.

### Utilização pretendida

A ferramenta foi concebida para a serragem de madeira, plásticos e materiais metálicos. Como resultado dos imensos acessórios e dos programas da lâmina da serra, a ferramenta pode ser utilizada para muitos fins e é adequada para cortes curvos ou circulares.

### Conselhos de segurança

Para sua segurança, leia as instruções anexas.

## REGRAS DE SEGURANÇA ESPECIFICAS

**NÃO permita que conforto ou familiaridade com o produto (adquirido com o uso repetido) substituam aderência às regras de segurança da serra de vaivém. Se utilizar esta ferramenta eléctrica sem segurança ou incorrectamente, pode sofrer danos pessoais graves.**

1. **Agarre nas ferramentas eléctricas pelas partes isoladas quando executa uma operação em que a ferramenta de corte pode entrar em contacto com qualquer fio escondido ou com o seu próprio cabo. O contacto com um fio “vivo” tornará as partes metálicas expostas “vivas” e chocará o operador.**
2. **Utilize grampos ou qualquer outra maneira prática para prender e suportar a peça de trabalho numa plataforma estável. Pegar na peça de trabalho com a mão ou contra o seu corpo torna-a instável e pode perder o controlo.**
3. **Use sempre óculos de segurança ou de protecção. Óculos normais ou de sol NÃO são óculos de segurança.**
4. **Evite cortar pregos. Inspeccione a peça de trabalho antes da operação e retire quaisquer pregos que existam.**
5. **Não corte uma superfície de grandes dimensões.**
6. **Verifique antes do corte se tem a folga correcta abaixo da peça de trabalho de modo a que a lâmina não bata no chão, bancada, etc.**
7. **Segure a ferramenta com firmeza.**
8. **Certifique-se de que a lâmina não está em contacto com a superfície de trabalho antes de ligar o interruptor.**
9. **Afaste as mãos das partes em movimento.**
10. **Nunca deixe a ferramenta a funcionar sozinha. Trabalhe com ela apenas quando puder segurá-la com as mãos.**

11. Quando desligar a ferramenta, aguarde sempre até a lâmina estar completamente parada antes de a retirar da superfície de trabalho.
12. Não toque na lâmina nem na superfície de trabalho logo após a operação; podem estar muito quentes e provocar queimaduras.
13. Não funcione desnecessariamente com a ferramenta sem carga.
14. Alguns materiais contêm químicos que podem ser tóxicos. Tenha cuidado para evitar inalação de pó e contacto com a pele. Siga o dados de segurança do fornecedor do material.
15. Use sempre a máscara para o pó/respirador apropriado para o material e aplicação com que está a trabalhar.

## GUARDE ESTAS INSTRUÇÕES.

### AVISO:

MÁ INTERPRETAÇÃO ou não seguimento das regras de segurança estabelecidas neste manual de instruções pode causar danos pessoais sérios.

## IMPORTANTES INSTRUÇÕES DE SEGURANÇA PARA A BATERIA

1. Antes de utilizar a bateria, leia todas as instruções e etiquetas de precaução no (1) carregador de bateria (2) bateria e (3) produto que utiliza a bateria.
2. Não abra a bateria.
3. Se o tempo de funcionamento se tornar excessivamente curto, páre o funcionamento imediatamente. Pode resultar em sobreaquecimento, possíveis queimaduras e mesmo explosão.
4. Se entrar electrólito nos seus olhos, lave-os com água e consulte imediatamente um médico. Pode resultar em perda de visão.
5. Não corte-circuito a bateria:
  - (1) Não toque nos terminais com qualquer material condutor.
  - (2) Evite guardar a bateria juntamente com outros objectos metálicos tais como pregos, moedas, etc.
  - (3) Não exponha a bateria à água ou chuva. Um curto-circuito pode ocasionar um enorme fluxo de corrente, sobreaquecimento, possíveis queimaduras e mesmo estragar-se.
6. Não guarde a ferramenta e a bateria em locais onde a temperatura pode atingir ou exceder 50°C.

## Seleccção da acção de corte (Fig. 2)

Esta ferramenta pode funcionar com uma acção de corte de linha orbital ou direita (para cima e para baixo). A acção de corte orbital empurra a lâmina para a frente na pancada de corte e aumenta grandemente a velocidade de corte.

Para mudar a acção de corte, rode simplesmente a alavanca de mudança de acção de corte para a posição da acção de corte desejada. Refira-se à tabela abaixo para seleccionar a acção de corte.

Posição	Acção de corte	Aplicações
0	Acção de corte de linha direita	Para cortes em aço macio, aço inoxidável e plástico. Para cortes limpos em madeira e contraplacado.
I	Acção de corte de órbita pequena	Para cortar aço médio, alumínio e madeira dura.
II	Acção de corte de órbita média	Para cortar madeira e contraplacado. Para cortes rápidos em alumínio e aço mole.
III	Acção de corte de órbita larga	Para cortes rápidos em madeira e contraplacado.

7. Não queime a bateria mesmo que esteja estragada ou completamente gasta. A bateria pode explodir no fogo.
8. Tenha cuidado para não deixar cair ou dar pancadas na bateria.

## GUARDE ESTAS INSTRUÇÕES.

### Conselhos para manter a máxima vida útil da bateria

1. Carregue a bateria antes que esteja completamente descarregada. Páre sempre o funcionamento da ferramenta e carregue a bateria quando notar menos poder na ferramenta.
2. Nunca carregue uma bateria completamente carregada. Carregamento excessivo diminui a vida útil da bateria.
3. Carregue a bateria à temperatura ambiente de 10°C – 40°C. Deixe que uma bateria quente arrefeça antes de a carregar.

## DESCRIÇÃO FUNCIONAL

### PRECAUÇÃO:

- Cerifique-se sempre de que a ferramenta está desligada e a bateria retirada antes de regular ou verificar qualquer função na ferramenta.

### Instalar ou retirar a bateria (Fig. 1)

- Desligue sempre a ferramenta antes de colocar ou retirar a bateria.
- Para retirar a bateria, tire-a da ferramenta deslizando o botão na parte da frente da bateria.
- Para colocar a bateria, alinhe a lingueta na bateria com a ranhura na caixa e deslize-a para o seu lugar. Coloque-a sempre completamente até que faça um clique no seu lugar. Se conseguir ver a parte vermelha no lado superior do botão, não está completamente colocada. Coloque-a completamente até que não possa ver a parte vermelha. Se assim não for, pode acidentalmente cair da ferramenta ferindo-o a si ou alguém próximo.
- Não utilize força quando coloca a bateria. Se a bateria não deslizar facilmente é porque não foi colocada correctamente.

## Ação do interruptor (Fig. 3 e 4)

### PRECAUÇÃO:

- Antes de ligar a ferramenta à corrente, certifique-se sempre de que o gatilho funciona correctamente e volta para a posição "OFF" quando libertado.
- Quando não estiver a funcionar com a ferramenta, pressione o botão de segurança no lado A para prender o gatilho na posição OFF.

Para evitar que o gatilho seja acidentalmente accionado existe um botão de segurança.

Para iniciar a ferramenta, pressione o botão de segurança no lado A e carregue no gatilho.

A velocidade da ferramenta aumenta quando aumenta a pressão no gatilho. Liberte o gatilho para parar. Depois de utilizar a ferramenta, pressione sempre o botão de segurança no lado A.

## Acender as lâmpadas

### PRECAUÇÃO:

- Não olhe para a luz ou veja a fonte de luz directamente.

Para ligar a lâmpada, carregue no gatilho. Liberte o gatilho para desligar.

### NOTA:

- Utilize um pano seco para retirar a sujidade das lentes da lâmpada. Tenha cuidado para não riscar as lentes da lâmpada ou pode diminuir a iluminação.

## ASSEMBLAGEM

### PRECAUÇÃO:

- Certifique-se sempre de que a ferramenta está desligada e a bateria retirada antes de executar qualquer manutenção na ferramenta.

## Colocar ou retirar a lâmina da serra

### PRECAUÇÃO:

- Limpe sempre todas as partículas e matérias estranhas aderentes à lâmina e/ou suporte da lâmina. Se não o fizer pode originar insuficiente aperto da lâmina que pode causar um acidente.
- Não toque na lâmina ou na peça de trabalho imediatamente depois da operação; podem estar extremamente quentes e pode queimar-se.
- Aperte seguramente a lâmina da serra. Se não o fizer pode causar danos sérios.
- Quando retira a lâmina da serra, tenha cuidado para não aleijar os seus dedos na parte superior da lâminas ou nas pontas da peça de trabalho.

Para instalar a lâmina, abra o abridor da ferramenta para a posição indicada na figura. (Fig. 5)

Mantendo essa situação, coloque a lâmina da serra no suporte da lâmina até que as duas saliências na lâmina não se vejam. (Fig. 6)

Volte a colocar o abridor da ferramenta na posição original. Depois de instalar a lâmina da serra, certifique-se sempre de que a lâmina está bem presa no seu lugar tentando puxá-la para fora.

### PRECAUÇÃO:

- Não abra excessivamente o abridor da ferramenta, ou pode estragar a ferramenta.

Para retirar a lâmina, abra o abridor da ferramenta para a posição indicada na figura. (Fig. 7) Puxe a lâmina da serra para fora na direcção da base.

### NOTA:

- Lubrifique ocasionalmente o rolamento.

## Armazenamento da chave hexagonal (Fig. 8)

Quando não a estiver a utilizar, armazene a chave hexagonal como indicado na figura para não a perder.

## Placa de cobertura (Fig. 9)

Utilize a placa de cobertura quando corta embutidos decorativos, plásticos, etc. Protege de estragos as superfícies sensíveis ou delicadas. Coloque-a na parte traseira da base da ferramenta.

## Mecanismo de anti-fragmentação (Fig. 10)

Para cortes sem fragmentação, pode utilizar o mecanismo de anti-fragmentação. Para instalar o mecanismo de anti-fragmentação, desloque a base da ferramenta completamente para a frente e coloque-a na base traseira da base da ferramenta. Quando utiliza a placa de cobertura, instale o mecanismo de anti-fragmentação na placa de cobertura.

### PRECAUÇÃO:

- Não pode utilizar o mecanismo de anti-fragmentação quando executa cortes de esquadria.

## Extracção do pó

Recomenda-se a utilização do bocal de pó (acessório opcional) para executar operação de corte limpa. (Fig. 11)

Para prender o bocal de pó à ferramenta, coloque o gancho do bocal do pó no orifício na base.

O bocal do pó pode ser instalado tanto no lado esquerdo como no direito da base. (Fig. 12)

Em seguida ligue um aspirador de pó Makita ao bocal do pó. (Fig. 13)

## OPERAÇÃO

### PRECAUÇÃO:

- Mantenha sempre a base da ferramenta nivelada com a peça de trabalho. Se assim não for pode estragar a lâmina e causar uma acidente. (Fig. 14)

Ligue a ferramenta sem que a lâmina faça qualquer contacto e espere até que a lâmina atinja toda a velocidade. Em seguida assente a base da ferramenta na peça de trabalho e mova a ferramenta suavemente ao longo da linha de corte marcada anteriormente.

### NOTA:

- Se funcionar continuamente com a ferramenta até que a bateria tenha ficado descarregada, deixe a ferramenta descansar durante 15 minutos antes de continuar com uma bateria nova.

Quando corta curvas, avance com a ferramenta muito devagar.

## Cortes de esquadria (Fig. 15)

### PRECAUÇÃO:

- Certifique-se sempre de que a ferramenta está desligada e a bateria retirada antes de inclinar a base.

Com a base da ferramenta inclinada, pode fazer cortes de bisel em qualquer ângulo entre 0° e 45° (esquerdo ou direito).

Liberte o perno na parte traseira da base com a chave hexagonal. Desloque a base de modo a que o perno esteja posicionado no centro da calha de bisel na base. (Fig. 16)

Incline a base até que obtenha o ângulo de bisel desejado. A ranhura em V da caixa do motor indica em graduações o ângulo de bisel. Em seguida aperte firmemente o perno para prender a base. (Fig. 17)

### **Corte de topo frontal**

Certifique-se sempre de que a ferramenta está desligada e a bateria retirada antes de inclinar a base. Aperte o perno para prender a base da ferramenta. (Fig. 18)

### **Recortes**

Os recortes podem ser feitos de duas maneiras, A ou B.

#### **A) Fazendo um orifício inicial: (Fig. 19)**

Para recortes internos sem um corte de passagem na extremidade, perfure um orifício inicial com 12 mm ou mais de diâmetro. Coloque a lâmina neste orifício para iniciar o corte.

#### **B) Corte penetrante: (Fig. 20)**

Não necessita de fazer um orifício de início ou um corte de passagem se fizer cuidadosamente o que se segue.

1. Incline a ferramenta para cima na extremidade frontal da base, com a ponta da lâmina colocada mesmo acima da superfície de trabalho.
2. Aplique pressão na ferramenta de modo a que a extremidade frontal da base não se mova quando liga a ferramenta e suavemente e devagar desça a extremidade traseira da ferramenta.
3. Quando a lâmina fura a peça de trabalho, desça devagar a base da ferramenta para a superfície da peça de trabalho.
4. Acabe o corte do modo normal.

### **Acabamento das extremidades (Fig. 21)**

Para aparar as extremidades ou fazer ajustes de dimensões, passe ligeiramente com a lâmina ao longo das extremidades do corte.

### **Corte de metal**

Utilize sempre um lubrificante adequado (óleo de corte) quando corta metal. Caso contrário, provocará desgaste da lâmina. A parte inferior poderá ser oleada em vez de utilizar lubrificante.

### **Conjunto de vedações para escarificação (acessório opcional)**

#### **PRECAUÇÃO:**

- Certifique-se sempre de que a ferramenta está desligada e a bateria retirada antes de instalar ou retirar acessórios.

#### **1. Cortes rectos (Fig. 22 e 23)**

Quando corta repetidamente larguras de 160 mm ou menos, a utilização da vedação para escarificação assegurará um corte mais rápido, limpo e direito. Para a instalar, coloque a vedação para escarificação no orifício rectangular no lado da base ferramenta com a vedação guia voltada para baixo. Deslize a vedação para escarificação para a posição desejada de largura do corte e em seguida aperte o perno para a prender.

#### **2. Cortes circulares (Fig. 24 e 25)**

Quando corta círculos ou arcos com 170 mm ou menos de raio, coloque a vedação para escarificação como se segue.

Coloque a vedação para escarificação no orifício rectangular no lado da base da ferramenta com a vedação guia voltada para cima. Introduza a haste para a guia circular num dos dois orifícios da vedação guia. Aparafuse o botão roscado na haste para a prender. Em seguida deslize a vedação para escarificação para o raio de corte desejado e em seguida aperte o perno para a prender. Movimente a base da ferramenta completamente para a frente.

#### **NOTA:**

- Utilize sempre lâminas N. B-17, B-18, B-26 ou B-27 quando corta círculos ou arcos.

### **Conjunto de adaptador de carril de guia (acessório) (Fig. 26)**

Quando corta larguras paralelas e uniformes ou corta a direito, a utilização do carril de guia e do adaptador do carril de guia assegurará a produção de cortes mais rápidos e limpos.

Para instalar o adaptador do carril de guia, insira a barra régua no orifício quadrado da base o mais fundo possível. Prenda seguramente o perno com a chave hexagonal. (Fig. 27)

Instale o adaptador do carril de guia no carril do carril de guia. Insira a barra régua no orifício quadrado do adaptador do carril de guia. Coloque a base no lado do carril de guia e aperte o perno seguramente. (Fig. 28)

#### **PRECAUÇÃO:**

- Utilize sempre as lâminas n° B-8, B-13, B-16, B-17 ou 58 quando utiliza a carril guia e o adaptador da carril guia.

### **MANUTENÇÃO**

#### **PRECAUÇÃO:**

- Certifique-se sempre de que a ferramenta está desligada e a bateria retirada antes de tentar executar qualquer inspeção ou manutenção.

### **Substituição das escovas de carvão (Fig. 29 e 30)**

Retire e inspecione as escovas de carvão regularmente. Substitua-as quando estiverem gastas até à marca limite. Mantenha as escovas de carvão limpas e a deslizarem livremente nos suportes. As duas escovas de carvão devem ser substituídas ao mesmo tempo. Utilize só escovas de carvão idênticas.

Utilize uma chave de parafusos para retirar as tampas do porta escovas. Tire as escovas gastas, coloque as novas e prenda as tampas do porta escovas.

Para manter a SEGURANÇA e FIABILIDADE, as reparações e outras acções de manutenção ou ajustes devem ser executados pelos Centros de assistência autorizados da Makita, utilizando sempre peças de substituição Makita.

## ACESSÓRIOS

### PRECAUÇÃO:

- Estes acessórios ou peças são recomendados para utilização com a ferramenta Makita especificada neste manual. A utilização de outros acessórios ou peças pode ser perigosa para as pessoas. Utilize apenas acessórios ou peças para os fins indicados.

Se precisar de ajuda para obter mais informações relativos a estes acessórios, entre em contacto com o centro de assistência Makita local.

- Lâmina da serra de vaivém
- Chave hexagonal 4
- Conjunto de vedações para escaurificação (Conjunto de guia paralela)
- Conjunto de adaptador de carril de guia
- Conjunto de carril de guia
- Mecanismo de anti-fragmentação
- Placa de cobertura
- Bocal do pó
- Vários tipos de baterias Makita e carregadores

## Illustrationsoversigt

1 Rød del	13 Fodplade	25 Anlægskinne
2 Knap	14 Antisplint-anordning	26 Kuglegreb
3 Akku	15 Støvtuds	27 Centrérspids
4 Savemådevælger	16 Slange til støvsuger	28 Målestang
5 Låseknap	17 Snitlinie	29 Føringsanslagssæt
6 Afbryderkontakt	18 Bolt	30 Føringskinne
7 Værktøjsåbner	19 Skråsnitsrille	31 Skrue
8 Klingeholder	20 Geringsmål	32 Slidmarkeringen
9 Stiksavklinge	21 V-rille	33 Kulholderdæksel
10 Fremspring	22 Gearhus	34 Skruetrækker
11 Sål	23 Starthul	
12 Unbrakonøgle	24 Parallelanslag	

## SPECIFIKATIONER

Model		BJV140	BJV180
Slaglængde		26 mm	26 mm
Maksimal snitkapacitet	Træ	135 mm	135 mm
	Smedestål	10 mm	10 mm
	Aluminium	20 mm	20 mm
Slag per minut (min <sup>-1</sup> )		0 – 2 600	0 – 2 600
Længde		255 mm	257 mm
Vægt		2,7 kg	2,8 kg
Spænding		DC 14,4 V	DC 18 V

- Ret til tekniske ændringer forbeholdes.
- Bemærk: Tekniske data kan variere fra land til land.

## Tilsigtet anvendelse

Denne maskine er beregnet til savning i træ, plast- og metalmaterialer. Takket være det omfattende udvalg i tilbehør og savklinger, kan maskinen anvendes til mange formål og er velegnet til at save buer og cirkler.

## Sikkerhedsforskrifter

For Deres egen sikkerheds skyld bør De sætte Dem ind i sikkerhedsforskrifterne.

## SPECIFIKKE SIKKERHEDSFORSKRIFTER

LAD IKKE bekvemmelighed og kendskab til produktet (opnået gennem gentagen anvendelse) forhindre Dem i nøje at overholde sikkerhedsforskrifterne for dekupørsaven. Hvis dette el-værktøj anvendes på en måde, som ikke er sikkerhedsmæssig forsvarlig eller på en forkert måde, kan resultatet blive alvorlige kvæstelser.

1. Hold altid el-værktøj i de isolerede greb, når der udføres arbejde, hvor den skærende maskine kan komme i berøring med skjulte ledninger eller dens egen ledning. Berøring med en "strømførende" ledning vil gøre maskinens metaldele "strømførende" og give operatøren stød.
2. Anvend skruetvinger eller en anden praktisk måde at fastholde og støtte arbejdsstykket på en stabil flade. Hvis De holder arbejdsstykket fast med hånden eller holder det mod kroppen, vil det blive ustabil, hvilket kan føre til, at De mister kontrollen over det.

3. Anvend altid sikkerhedsbriller eller beskyttelsesbriller. Almindelige briller og solbriller er IKKE sikkerhedsbriller.
4. Undgå at save i søm og skruer. Tjek emnet for søm og skruer og fjern sådanne, før arbejdet påbegyndes.
5. Skær ikke i overdimensionerede emner.
6. Tjek for tilstrækkelig frigang under emnet, så klingene ikke rammer gulv, arbejdsbænk eller lignende.
7. Hold maskinen fast med begge hænder.
8. Vær sikker på at klingene ikke er i kontakt med emnet, når maskinen tændes.
9. Hold hænderne borte fra bevægelige dele.
10. Sluk altid værktøjet når det ikke benyttes. Brug kun værktøjet som håndværktøj.
11. Sluk altid værktøjet og vent til klingene er helt stoppet, før De fjerner klingene fra emnet.
12. Undlad at røre klingene eller emnet umiddelbart efter brugen. Klinge og emne kan være meget varme og forårsage forbrændinger.
13. Anvend ikke maskinen unødvendigt uden belastning.
14. Visse materialer indeholder kemikalier, som kan være giftige. Vær påpasselig med ikke at indånde støv eller få disse materialer på huden. Følg sikkerhedsforskrifterne fra fabrikanten af materialet.
15. Anvend altid en korrekt støvmaske/respirator, som passer til det materiale og den arbejds metode, De anvender.

## GEM DISSE FORSKRIFTER.



## ADVARSEL:

MISBRUG eller forsømmelse af at følge de i denne brugsvejledning givne sikkerhedsforskrifter kan føre til, at De kommer alvorligt til skade.

## VIGTIGE SIKKEHEDSFORSKRIFTER FOR BATTERIPATRON

1. Læs alle instruktioner og advarselmærkater på (1) batteriopladeren, (2) batteriet og (3) produktet, som anvender batterier.
2. Lad være med at skille batteripatronen ad.
3. Hold straks op med at anvende opladeren, hvis brugstiden er blevet stærkt afkortet. Fortsat anvendelse kan resultere i risiko for overophedning, forbrændinger og endog eksplosion.
4. Hvis du har fået batterielektrolyt i øjnene, skal du straks skylle den ud med rent vand og derefter øjeblikkeligt søge lægehjælp. I modsat fald kan resultatet blive, at du mister synet.
5. Vær påpasselig med ikke at komme til at kortslutte batteripatronen:
  - (1) Rør ikke ved terminalerne med noget ledende materiale.
  - (2) Undgå at opbevare batteripatronen i en beholder sammen med andre genstande af metal, som for eksempel søm, mønter og lignende.
  - (3) Udsæt ikke batteripatronen for vand eller regn.Kortslutning af batteriet kan være årsag til en kraftig øgning af strømmen, overophedning, mulige forbrændinger og endog maskinstop.
6. Opbevar ikke maskinen og batteripatronen på et sted, hvor temperaturen kan nå eller overstige 50°C.
7. Lad være med at brænde batteriet, selv ikke i tilfælde, hvor det har lidt alvorlig skade eller er fuldstændig udtjent. Batteripatronen kan eksplodere, hvis man forsøger at brænde den.

## Valg af savemåde (Fig. 2)

Denne maskine kan save med penduludsving eller en lineær bevægelse (op og ned). Savemåden med penduludsving støder klingens fremad samtidig med slaget og forøger savehastigheden betydeligt.

For at skifte savemåde drejes savemådevælgeren blot hen på positionen for den ønskede savemåde. Se tabellen herunder for at vælge den ønskede savemåde.

Position	Klingebevægelse	Anvendelse
0	Lineær	Savning i alm. stål, rustfrit stål og plastic. Rent snit i træ og krydsfiner.
I	Med lille penduludsving	Savning i alm. stål, aluminium og hårdt træ.
II	Med medium penduludsving	Savning i træ og krydsfiner. Hurtigsavning i aluminium og alm. stål.
III	Med kraftigt penduludsving	Hurtigsavning i træ og krydsfiner.

8. Lad være med at brænde batteriet eller udsætte det for stød.

## GEM DISSE FORSKRIFTER.

### Tips til opnåelse af maksimal batterilevetid

1. Oplad altid batteripatronen, inden den er helt afladet.  
Stop altid maskinen og oplad batteripatronen, hvis det bemærkes, at maskineffekten er dalende.
2. Genoplad aldrig en fuldt opladet batteripatron. Overoplading vil afkorte batteriets levetid.
3. Oplad batteripatronen ved stuetemperatur ved 10°C – 40°C. Lad altid en varm batteripatron få tid til at køle af, inden den oplades.

## FUNKTIONSBESKRIVELSE

### FORSIGTIG:

- Sørg altid for at maskinen er slukket, og at akkuen er taget ud, før der udføres justering eller kontrol af funktioner på maskinen.

### Isætning og udtagning af akku (Fig. 1)

- Sluk altid for maskinen, før akkuen sættes i eller tages ud.
- Akkuen fjernes ved at man trækker den ud af maskinen, mens man skyder knappen foran på akkuen i stilling.
- Isæt akkuen ved at rette dens tunge ind efter rillen i huset. Skyd derefter akkuen helt ind, til den låser på plads med et lille klik. Hvis den røde del på oversiden af knappen er synlig, er akkuen ikke låst korrekt. Skyd akkuen helt ind, indtil den røde del ikke er synlig. Hvis akkuen ikke sættes i på denne måde, kan den ved et uheld falde ud af maskinen, og eventuelt forvolde personskade på Dem selv eller andre.
- Brug aldrig magt, når akkuen sættes i. Hvis ikke akkuen glider i uden besvær, er det fordi, at den vender forkert.

## Afbrøderkontakt (Fig. 3 og 4)

### FORSIGTIG:

- Før maskinen sættes til netstikket, skal De altid kontrollere, at afbrøderkontakten fungerer korrekt og returnerer til "OFF" positionen, når den slippes.
- Når maskinen ikke anvendes, skal låseknappen trykkes ned fra A-siden for at låse afbrøderkontakten i OFF-positionen.

Maskinen er udstyret med en låseknop, som forhindrer utilsigtet indtrykning af afbrøderkontakten.

For at starte maskinen, trykkes låseknappen ned fra B-siden, og afbrøderkontakten trykkes ind.

Maskinens hastighed øges ved at man øger trykket på afbrøderkontakten. Slip afbrøderkontakten for at stoppe. Efter brugen skal låseknappen altid trykkes ind fra A-siden.

## Belysningslamper

### FORSIGTIG:

- Se ikke direkte på lyskilden.

Lampen tændes ved at man trykker på afbrøderen. Slip afbrøderen for at slukke.

### BEMÆRK:

- Anvend en tør klud til at tørre smuds af lampens linse. Undgå at ridse lampens linse, da det vil gøre belysningen svagere.

## SAMLING

### FORSIGTIG:

- Sørg altid for at maskinen er slukket, og at akkuen er taget ud, før der udføres noget arbejde på maskinen.

## Montering og afmontering af savklinge

### FORSIGTIG:

- Sørg for altid at fjerne spåner eller andre fremmedlegemer, der måtte klæbe til klingens og/eller klingeholderen. Forsømmelse af dette kan resultere i utilstrækkelig tilspænding af klingens, hvilket kan medføre alvorlig tilskadekomst.
- Rør ikke ved klingens eller emnets umiddelbart efter anvendelse. De kan begge være meget varme og forårsage hudforbrænding ved berøring.
- Stram klingens sikkert til. Forsømmelse af dette kan lede til alvorlig tilskadekomst.
- Når De fjerner savklingen, skal De være forsigtig, så De ikke skærer fingrene på toppen af klingens eller på spåner fra emnet.

For at montere klingens, skal De åbne værktøjsåbneren til dens position, der er vist på illustrationen. (Fig. 5)

Mens denne tilstand opretholdes, sættes klingens så langt ind i klingeholderen, at de to fremspring ikke kan ses. (Fig. 6)

Sæt værktøjsåbneren tilbage i dens oprindelige stilling. Efter montering af savklingen skal det altid kontrolleres, at savklingen sidder sikkert fast, hvilket gøres ved, at man forsøger at trække klingens ud.

### FORSIGTIG:

- Åbn ikke værktøjholderen for meget, da det kan medføre beskadigelse af maskinen.

For at fjerne klingens, skal De åbne værktøjsåbneren til dens position, der er vist på illustrationen. (Fig. 7) Træk klingens ud mod sålen.

### BEMÆRK:

- Smør styrevalsen med mellemrum.

## Opbevaring af unbrakonøglen (Fig. 8)

Når unbrakonøglen ikke anvendes, skal den opbevares som vist på illustrationen, så den ikke bortkommer.

## Fodplade (Fig. 9)

Anvend fodpladen, når der saves finer, plastmaterialer og lignende. Fodpladen beskytter sarte og modtagelige overflader mod ridser og skrammer. Anbring fodpladen på maskinens sål nedenfra.

## Antisplint-anordning (Fig. 10)

For at opnå savninger uden flossede kanter kan antisplint-anordningen anvendes. For at montere antisplint-anordningen flyttes maskinens sål helt fremad, hvorefter anordningen sættes på sålen nedenfra. Når De anvender fodpladen, skal antisplint-anordningen monteres oven på fodpladen.

### FORSIGTIG:

- Antiflosse-anordning kan ikke anvendes ved geringsnit.

## Støvafugning

Det anbefales at bruge støvstudsens (ekstraudstyr) for at undgå støvforurening under savning. (Fig. 11)

Monter støvstudsens på maskinen ved at sætte krogen på studsens ind i hullet i sålen.

Støvstudsens kan monteres på enten venstre eller højre side af sålen. (Fig. 12)

Tilslut derefter en Makita støvsuger til støvstudsens. (Fig. 13)

## BETJENING

### FORSIGTIG:

- Hold altid maskinens sål plant med emnet. Hvis sålen ikke ligger plant med emnet, er der stor risiko for at klingens brækker, hvilket kan medføre alvorlig tilskadekomst. (Fig. 14)

Tænd for maskinen, uden at klingens kommer i kontakt, og vent indtil klingens er kommet op på fuld hastighed. Lad derefter sålen hvile plant mod emnet og for maskinen forsigtigt fremad langs den opmærkede snitlinie.

### BEMÆRK:

- Hvis maskinen anvendes uafbrudt, indtil akkuen er afladet, skal maskinen have lov til at hvile i 15 minutter, inden arbejdet fortsættes med en ny akku.

Flyt maskinen meget langsomt, når der saves buer.

## Geringsnit (Fig. 15)

### FORSIGTIG:

- Sørg altid for, at der er slukket for maskinen, og at akkuen er fjernet, inden sålen kippes.

Med maskinens sål kippet på skrå, kan man lave skråsnit i enhver vinkel mellem 0° og 45° (venstre eller højre).

Løsn boltens på undersiden af sålen med unbrakonøglen. Flyt sålen, så boltens bliver placeret i centrum af den krydsformede skråsnitsrille i sålen. (Fig. 16)

Kip maskinens sål, indtil den ønskede geringsvinkel er opnået. V-rillen på gearhuset angiver geringsvinklen. Stram derefter boltens fast til for at holde sålen på plads. (Fig. 17)

## Skæring mod kant

Løsn boltene på bagsiden af sålen med unbraconøglen og skyd sålen hele vejen tilbage. Stram derefter boltene til for at fastgøre maskinens sål. (Fig. 18)

## Udskæringer

Udskæringer kan laves ved hjælp af metode A eller B.

### A) Boring af et starthul (Fig. 19):

Ved indvendige udskæringer, uden et indførende savspor fra en kant, startes med at der børes et starthul med en diameter på 12 mm eller mere. Før savklingen ned i dette hul for at starte savningen.

### B) Dyksnit (Fig. 20):

Det er ikke nødvendigt at bore et starthul, eller lave et indførende savspor fra en kant, hvis følgende udføres omhyggeligt:

1. Vip maskinen op, så den hviler på forkanten af sålen, med klingespidsen placeret lige over emnets overflade.
2. Læg tryk på maskinen, så forkanten af sålen ikke forskubber sig, når maskinen tændes, og sænk så forsigtigt den bagerste del af maskinen.
3. I takt med at klingens trænger igennem emnet, sænkes maskinens sål langsomt ned på emnets overflade.
4. Fuldfør derefter savningen på normal vis.

## Afglatning af kanter (Fig. 21)

For at trimme kanter eller foretage dimensionelle justeringer køres klingens let hen langs kanten ad savsporet.

## Savning af metal

Anvend altid et passende kølemiddel (skæreeolie), når der savnes metal. Anvendes der ikke et kølemiddel, medfører det nødvendigt slid på savklingen. I stedet for at anvende et kølemiddel kan undersiden af emnet smøres.

## Parallelslagsæt (ekstraudstyr)

FORSIGTIG:

- Sørg altid for, at der er slukket for maskinen, og at akkuen er fjernet, inden tilbehørsdesle monteres eller afmonteres.

### 1. Lige snit (Fig. 22 og 23)

Når der gentagne gange skal savnes bredder på 160 mm eller mindre, vil anvendelse af parallelslagsæt sikre en hurtig, ren og lige savning. Installer parallelslagsættet ved at sætte det ind i det rektangulære hul på siden af sålen, med anlægsskinnen nedad. Skyd parallelslagsættet til den ønskede skærevdeposition, og stram dernæst boltene til for at holde det på plads.

### 2. Cirkelsnit (Fig. 24 og 25)

Når der savnes cirkler eller buer med en radius på 170 mm eller mindre, installeres parallelslagsættet som følger:

Sæt parallelslagsættet ind i det rektangulære hul på siden af sålen, med anlægsskinnen opad. Før centrérspidsen ind gennem et af de to huller i anlægsskinnen. Fastgør centrérspidsen ved at skrue kuglegrebet på den. Skyd nu parallelslagsættet til den ønskede saveradius, og stram boltene for at holde anlæget på plads. Flyt derefter maskinens sål hele vejen frem.

BEMÆRK:

- Anvend altid klingerne Nr. B-17, B-18, B-26 eller B-27, når der savnes cirkler eller buer.

## Føringsanslagssæt (ekstraudstyr) (Fig. 26)

Når der skal laves parallelle savninger med ens bredde, eller savnes lige, vil anvendelse af føringskinnen og føringsanslaget sikre udførelse af hurtige og lige savninger.

For at montere føringsanslaget føres målestangen så langt ind i det firkantede hul på sålen, som den vil gå. Fastgør boltene forsvarligt med unbraconøglen. (Fig. 27) Monter føringsanslaget på føringskinnens skinne. Før målestangen ind i det firkantede hul på føringsanslaget. Anbring sålen mod siden på føringskinnen, og stram boltene forsvarligt til. (Fig. 28)

FORSIGTIG:

- Anvend altid klinger Nr. B-8, B-13, B-16, B-17 eller 58, når føringskinnen og føringsanslaget benyttes.

## VEDLIGEHOLDELSE

FORSIGTIG:

- Sørg altid for at maskinen er slukket, og at akkuen er taget ud, før der udføres eftersyn eller vedligeholdelse på maskinen.

## Udskiftning af kul (Fig. 29 og 30)

Udtag og efterse kullene med regelmæssige mellemrum. Udskift kullene, når de er slidt ned til slidmarkeringen. Hold kullene rene og i stand til frit at glide ind i holderne. Begge kul skal udskiftes parvist samtidigt. Anvend kun identiske kulbørster.

Benyt en skruetrækker til at afmontere kulholderdækslerne. Tag de slidte kul ud, isæt de nye og fastgør derefter kulholderdækslerne.

For at opretholde produktets SIKKERHED og PÅLIDELIGHED bør reparation, vedligeholdelse og justering kun udføres af et Makita Service Center med anvendelse af original Makita udskiftningsdele.

## TILBEHØR

FORSIGTIG:

- Det følgende tilbehør og ekstraudstyr er anbefalet til brug med Deres Makita maskine, der er beskrevet i denne brugsanvisning. Anvendelse af andet tilbehør eller ekstraudstyr kan udgøre en risiko for personskade. Anvend kun tilbehør og ekstraudstyr til det beskrevne formål.

Hvis De har behov for yderligere detaljer om dette tilbehør, bedes De kontakte Deres lokale Makita Service Center.

- Stiksavklinge
- Unbraconøgle 4
- Parallelslagsæt (Føringslinealsæt)
- Føringsanslagssæt
- Føringskinnesæt
- Antisplint-anordning
- Fodplade
- Støvstuds
- Forskellige typer af originale Makita-akkuer og opladere

Förklaring av allmän översikt

1 Röd del	12 Sexkantsnyckel	24 Parallellanslag
2 Knapp	13 Skyddsplatta	25 Anslagets mothåll
3 Batterikassett	14 Flisningssskydd	26 Gängad knopp
4 Omkopplingspak för sågfunktion	15 Damnstos	27 Stift för cirkelanslag
5 Säkerhetsspärr	16 Dammsugar slang	28 Linjal
6 Strömställare	17 Säglinje	29 Släde
7 Maskinöppnare	18 Bult	30 Ledskena
8 Bladhållare	19 Skåra för vinkelsågning	31 Skruv
9 Sticksågsblad	20 Graderingar	32 Slitgränsmarkering
10 Utskjutningar	21 V-skåra	33 Kolborsthållarlock
11 Fot	22 Växelhus	34 Skruvmejsel
	23 Starthåll	

TEKNISKA DATA

Modell	BJV140	BJV180
Slaglängd	26 mm	26 mm
Maximal sågningkapacitet	Trä	135 mm
	Mjukt stål	10 mm
	Aluminium	20 mm
Slag per minut (min <sup>-1</sup> )	0 – 2 600	0 – 2 600
Total längd	255 mm	257 mm
Nettovikt	2,7 kg	2,8 kg
Märkspänning	14,4 V likström	18 V likström

- På grund av det kontinuerliga programmet för forskning och utveckling, kan här angivna tekniska data ändras utan föregående meddelande.
- Observera: Tekniska data kan variera i olika länder.

**Avsedd användning**

Maskinen är avsedd för sågning i trä-, plast- och metallmaterial. Tack vare det breda tillbehörs- och sågbladsprogrammet kan maskinen användas i många olika syften, och den är synnerligen lämpad för sågning av bågar och cirklar.

**Säkerhetstips**

För din egen säkerhets skull, bör du läsa igenom de medföljande säkerhetsföreskrifterna.

**SÄRSKILDA SÄKERHETSREGLER**

**GLÖM INTE** att strikt följa maskinens säkerhetsanvisningar ÄVEN efter det att du blivit van att använda sticksågen. Felaktig användning av denna maskin kan leda till allvarliga personskador.

1. Håll maskinerna i de isolerade greppytorna vid arbete där maskinen kan råka skada dolda elkablar eller den egna sladden. Kontakt med en strömförande kabel kommer att göra maskinens metalldelar strömförande vilket kan ge användaren en stöt.
2. Använd exempelvis tvingar för att fästa arbetsstycket i en stabil arbetsbänk eller motsvarande. Om du håller i arbetsstycket med handen eller lutar det mot kroppen kan du förlora kontrollen över maskinen.
3. Använd alltid skyddsglasögon eller visir. Vanliga (sol)glasögon har INTE säkerhetsglas.

4. **Undvik att såga i spikar. Kontrollera arbetsstycket före arbetets början, och ta bort alla spikar du hittar innan du börjar såga.**
5. **Såga inte överdimensionerade arbetsstycken.**
6. **Kontrollera att du har tillräcklig frigång under arbetsstycket, så att sågbladet inte slår emot golvet, arbetsbänken e.d.**
7. **Håll i verktyget stadigt.**
8. **Se till att sågklingan inte är i kontakt med arbetsstycket innan strömbrytaren trycks in.**
9. **Håll händerna på avstånd från rörliga delar.**
10. **Lämna inte verktyget med motorn igång. Använd verktyget endast när det hålls i händerna.**
11. **Stäng alltid av strömmen, och vänta tills bladet har stannat helt, innan bladet tas bort från arbetsstycket.**
12. **Vidrör inte bladet eller arbetsstycket omedelbart efter arbetets slut; de kan vara extremt heta och orsaka brännskador.**
13. **Kör inte maskinen obelastad i onödan.**
14. **Vissa material innehåller kemikalier som kan vara giftiga. Se till att du inte andas in damm eller får det på huden. Följ anvisningarna i leverantörens materialsäkerhetsblad.**
15. **Använd alltid ett munskydd eller andningsmask med ett filter som är avsett för det material som du arbetar med.**

**SPARA DESSA ANVISNINGAR.**

**WARNING:**

**OVARSAM** hantering eller användning som inte följer säkerhetsanvisningarna i denna bruksanvisning kan orsaka allvarliga personskador.

## VIKTIGA SÄKERHETSANVISNINGAR FÖR BATTERIKASSETT

1. Innan du börjar använda batteriladdaren bör du läsa alla anvisningar och varningstexter på (1) batteriladdaren, (2) batteriet och (3) den produkt till vilken batteriet används.
2. Tag inte isär batterikassetten.
3. Om driftstiden är kraftigt reducerad bör du avbryta driften omedelbart. Det finns i annat fall risk för överhettning, brännskador och även att batteriet exploderar.
4. Om det skulle komma in elektrolyt i dina ögon bör du tvätta ur ögonen med vatten, och sedan omedelbart söka medicinsk vård. Det finns risk för att du förlorar synen.
5. Kortslut inte batterikassetten:
  - (1) Rör inte vid polerna med något ledande material.
  - (2) Undvik att förvara batterikassetter i samma förvaringsutrymme som andra metallföremål, till exempel spikar, mynt, osv.
  - (3) Utsätt inte batterikassetten för vatten och regn.Om batterikassetten kortsluts kan det leda till ett kraftigt elektriskt flöde, överhettning, brännskador och även att batterikassetten exploderar eller spricker.
6. Förvara inte maskin och batterikassetter på plats där temperaturen kan stiga till eller överstiga 50°C.
7. Batterikassetten får inte eldas upp, även om den skulle vara svårt skadad eller helt utsliten. Den kan explodera om den slängs i en eld.
8. Var försiktig så att du inte tappar batterikassetten eller att den slår emot något.

### Att välja sågfunktion (Fig. 2)

Maskinen kan användas med sågbladet i kretslopp eller i en rak linje (upp och ner). Med sågbladet i ett kretslopp kastas bladet framåt i sågmomentet, vilket ger en markant ökning av sågningshastigheten.

Vrid omkopplingsspaken för sågfunktion vid ändring av sågfunktion, så att spaken står i den önskade positionen. Se i tabellen nedan för att välja sågfunktion.

Position	Sågfunktion	Användningsområde
0	Sågbladet i rak linje	För sågning i mjukt stål, rostfritt stål och plastmaterial. För rena såglinjer vid sågning i trä och plywood.
I	Litet kretslopp	För sågning i mjukt stål, aluminium och hårda träslag.
II	Mellanstort kretslopp	För sågning i trä och plywood. För snabb sågning i aluminium och mjukt stål.
III	Stort kretslopp	För snabb sågning i trä och plywood.

## SPARA DESSA ANVISNINGAR.

### Tips för att upprätthålla batteriets maximala livslängd

1. Ladda upp batterikassetten innan den är fullständigt urladdad. Stanna alltid maskinen och ladda batterikassetten om du märker att maskinen har dålig kraft.
2. Ladda aldrig upp en fulladdad batterikasset. Överladdning förkortar batteriets bruksliv.
3. Ladda batterikassetten med en omgivande temperatur på 10°C – 40°C. Låt upphettade batterikassetter svalna innan de laddas.

## FUNKTIONSBESKRIVNING

### FÖRSIKTIGHET!

- Se alltid till maskinen är avstängd och batterikassetten urtagen innan du utför några justeringar eller kontrollerar några funktioner på maskinen.

### Isättning och uttagning av batterikassetten (Fig. 1)

- Stäng alltid av maskinen innan du sätter i eller tar ur batterikassetten.
- Ta bort batterikassetten genom att dra ut den samtidigt som du skjuter knappen på kassetten framsida.
- Sätt på batterikassetten genom att rikta in tungan på batterikassetten mot skåran i verktygshuset, och sedan skjuta kas-setten på plats. Skjut alltid in kassetten hela vägen tills den låses fast i läge med ett litet klick. Om du kan se den röda delen på knappens övre sida är kassetten inte helt fastlåst. Skjut på den helt tills den röda delen inte kan ses. I annat fall kan kassetten trilla av verktyget, och orsaka skador på dig själv eller någon i din närhet.
- Tvinga inte in batterikassetten. Om kassetten inte glider in lätt sätter du inte in den på rätt sätt.

## Strömställarens funktion (Fig. 3 och 4)

### FÖRSIKTIGHET!

- Kontrollera alltid att strömställaren fungerar felfritt och återgår till det avstängda läget "OFF" när den släpps, innan nåtsladden sätts i.
- När maskinen inte används ska säkerhetsspärren tryckas in från A-sidan för att låsa strömställaren i avstängt läge.

För att inte strömställaren ska tryckas in av misstag finns en säkerhetsspärr.

Starta maskinen genom att trycka in spärren från B-sidan och sedan trycka på strömställaren.

Maskinens hastighet ökar ju mer strömställaren trycks in. Släpp strömställaren för att stänga av maskinen. Tryck alltid in säkerhetsspärren från A-sidan efter användning.

## Att tända lamporna

### FÖRSIKTIGHET:

- Titta inte rakt in i lampan så att du direkt kan se ljuskällan.

Tryck på strömställaren för att tända lampan. Släpp strömbrytaren för att släcka lampan.

### OBSERVERA:

- Använd en torr tygduk för att torka av lampans lins. Var försiktig så att du inte repar linsen, eftersom det kan göra att lampans ljusstyrka försämras.

## SAMMANSÄTTNING

### FÖRSIKTIGHET!

- Kontrollera alltid att maskinen är avstängd och att batterikassetten är urtagen innan du utför något arbete på maskinen.

## Montering och demontering av sågblad

### FÖRSIKTIGHET!

- Tag alltid bort sågflis och andra främmande föremål som sitter fast på sågbladet och/eller bladhållaren. I annat fall kan det orsaka att sågbladet inte kan dras åt ordentligt med en allvarlig olycka som följd.
- Rör inte vid sågbladet eller arbetsstycket omedelbart efter avslutat arbete; de kan vara oerhört heta och ge brännskador.
- Fäst sågbladet ordentligt. I annat fall kan det leda till allvarliga olyckor.
- Var försiktig så att du, vid borttagningen av sågbladet, inte skadar dina fingrar mot bladets överdel eller arbetsstyckets kant.

För att montera bladet öppnar du maskinöppnaren till läget enligt figuren. (Fig. 5)

Håll kvar maskinen i detta läge, och stick in sågbladet i bladhållaren tills de två utskjutningarna på bladet inte längre kan ses. (Fig. 6)

Återför maskinöppnaren till dess ursprungliga läge. Kontrollera alltid att sågbladet sitter fast ordentligt efter monteringen, genom att försöka dra ur bladet ur hållaren.

### FÖRSIKTIGHET:

- Öppna inte maskinöppnaren för mycket, eftersom det kan orsaka skador på maskinen.

För att ta ut bladet öppnar du maskinöppnaren till läget enligt figuren. (Fig. 7) Dra ut sågbladet i riktning mot foten.

### OBSERVERA!

- Smörj då och då rullen.

## Förvaring av sexkantnyckeln (Fig. 8)

Sätt sexkantnyckeln i hållaren när den inte används så att den inte kommer bort.

## Skyddsplatta (Fig. 9)

Använd skyddsplattan vid sågning av dekorationsfanér, plastmaterial osv. Plattan gör att känsliga ytor skyddas mot yttre skador. Passa in plattan på maskinens fot.

## Flisningskydd (Fig. 10)

Använd flisningskyddet för att erhålla ett splitterfritt arbete. Montera flisningskyddet genom att föra maskinens fot så långt framåt det går, och sedan montera flisningskyddet från fotens baksida. Om du använder skyddsplattan ska flisningskyddet monteras på skyddsplattan snarare än på foten.

### FÖRSIKTIGHET!

- Flisningskydd kan inte användas vid vinkelsågning.

## Dammuppsugning

Dammstosen kan användas för att erhålla en renare arbetsmiljö vid sågarbetet (extra tillbehör). (Fig. 11) Dammstosen monteras på maskinen genom att föra in dammstosens hake i hålet i foten.

Dammstosen kan monteras på fotens vänstra eller högra sida. (Fig. 12)

Anslut sedan en Makita dammsugare till dammstosen. (Fig. 13)

## DRIFT

### FÖRSIKTIGHET!

- Håll alltid maskinfoten plant mot arbetsstycket. I annat fall kan sågbladet brytas av med en allvarlig olycka som följd. (Fig. 14)

Starta maskinen utan att bladet har kontakt med något och vänta tills bladet har uppnått full hastighet. Vila sedan maskinfoten plant mot arbetsstycket, och för maskinen långsamt framåt längs den i förväg utmärkta såglinjen.

### OBSERVERA!

- Om maskinen används kontinuerligt tills batterikassetten är urladdad måste den få ligga 15 minuter innan du fortsätter arbetet med en laddad batterikasset.

För maskinen mycket långsamt framåt vid kurvsågning.

## Vinkelsågning (Fig. 15)

### FÖRSIKTIGHET!

- Se alltid till att stänga av maskinen och att ta ut batterikassetten innan foten vinklas.

Med maskinens fot lutad kan du göra vinkelsågning i valfri vinkel mellan 0° och 45° (åt vänster eller höger).

Lossa bulten på fotens undersida med sexkantnyckeln. Flytta foten så att bulten kommer i läge med vinkelskåran i foten. (Fig. 16)

Luta foten tills den önskade vinkeln ställts in. V-skåran i växelhuset indikerar vinkeln mot graderingen. Fäst sedan foten genom att dra åt bulten ordentligt. (Fig. 17)

## Sågning mot vägg

Lossa bulten på fotens baksida med sexkantnyckeln och skjut foten så långt bakåt som möjligt. Fäst sedan maskinfoten genom att dra åt bulten. (Fig. 18)

## Utsågning

Utsågning kan genomföras med endera av två metoder, A eller B.

### A) Borra ett starthål (Fig. 19):

Förborra ett starthål med mer än 12 mm i diameter för att göra en utsågning utan att behöva såga in från kanten av arbetsstycket. Sätt in sågbladet i hålet och genomför utsågningen.

### B) Hålsågning (Fig. 20):

Du behöver inte förborra ett hål eller såga dig in från kanten om du försiktigt gör enligt följande.

1. Luta maskinen framåt mot fotens framkant med sågbladets spets i position rakt ovanför arbetsstyckets yta.
2. Tryck mot maskinen så att fotens framkant inte rör sig när maskinen sätts på, och sänk maskinens bakända långsamt och försiktigt.
3. Sänk sakta maskinens fot mot arbetsstyckets yta när sågbladet börja såga igenom arbetsstycket.
4. Genomför sågningen på vanligt sätt.

### Att jämna till kanter (Fig. 21)

Låt sågbladet lätt följa kanterna för att jämna till dem eller för att göra smärre justeringar av arbetsstyckets storlek.

## Metallsågning

Använd alltid ett lämpligt kylmedel (skärolja) vid sågning i metall. I annat fall kommer sågbladet att slitas kraftigt. Istället för att använda ett kylmedel kan arbetsstyckets undersida fettas in.

## Parallellanslagssats (extra tillbehör)

### FÖRSIKTIGHET!

- Se alltid till att stänga av maskinen och att ta ut batterikassetten innan tillbehör monteras eller tas bort.

### 1. Rak sågning (Fig. 22 och 23)

Ett parallellanslag kan användas vid upprepad sågning av arbetsstycken som är mindre än 160 mm breda för att få snabb, ren och rak sågning. Montera parallellanslaget genom att föra in det i det fyrkantiga hålet på maskinfotens sida med anslaget mothåll riktat neråt. Skjut parallellanslaget till den önskade sågbreddens och fäst det sedan i läge genom att dra åt bulten.

### 2. Cirkelsågning (Fig. 24 och 25)

Montera parallellanslaget enligt nedan vid sågning av cirklar eller bågar med en radie på mindre än 170 mm. Föra in parallellanslaget i det fyrkantiga hålet på maskinfotens sida med anslaget mothåll riktat uppåt. Sätt in cirkelanslagets stift i det ena av de två hålen i anslaget mothåll. Skruva fast den gängade knoppen på stiftet för att fästa stiftet. Skjut sedan parallellanslaget till den önskade sågradien, och fäst det i läge genom att dra åt bulten. Skjut därefter maskinfoten ända framåt.

### OBSERVERA:

- Använd alltid blad nr. B-17, B-18, B-26 eller B-27 vid sågning av cirklar eller bågar.

## Ledskena med slåde (tillbehör) (Fig. 26)

För att säkert och snabbt kunna såga parallellt och hålla ett konstant avstånd eller såga rakt kan man använda en ledskena med slåde.

Montera släden genom att föra in linjalen så långt det går i det fyrkantiga hålet på maskinfotens sida. Skruva fast bulten ordentligt med sexkantsnyckeln. (Fig. 27)

Sätt släden på ledskenan. Föra in linjalen i slädens fyrkantig hål. Ställ in önskat avstånd mellan släden och maskinfoten och dra sedan fast bulten stadigt. (Fig. 28)

### FÖRSIKTIGHET:

- Använd endast blad nr. B-8, B-13, B-16, B-17 eller 58 vid sågning med slåde och ledskena.

## UNDERHÅLL

### FÖRSIKTIGHET!

- Se alltid till att maskinen är avstängd och att batterikassetten är urtagen, innan du utför någon kontroll av eller något underhåll på maskinen.

## Utbyte av kolborstar (Fig. 29 och 30)

Ta ur kolborstarna och kontrollera dem med regelbundna intervall. Byt ut dem när de är nerslitna till slitgränsmarkeringen. Se till att kolborstarna är rena, och lätt glider i sina hållare. Båda kolborstarna ska bytas ut samtidigt. Använd endast identiska kolborstar.

Tag bort kolborsthållarnas lock med en skruvmejsel. Tar ur de slitna kolborstarna, sätt i de nya och sätt återigen fast kolborsthållarnas lock.

För att upprätthålla produktens SÄKERHET och PÅLITLIGHET bör alla reparationer, och allt annat underhålls- eller justeringsarbete utföras av en av Makita auktoriserad serviceverkstad, och Makita reservdelar bör alltid användas.

## TILLBEHÖR

### FÖRSIKTIGHET!

- Dessa tillbehör och tillsatser rekommenderas för användning med den Makita-maskin som anges i den här bruksanvisningen. Om andra tillbehör eller tillsatser används finns det risk för personskadorna. Använd endast tillbehören och tillsatserna för de ändamål de uttryckligen är avsedda för.

Tillfråga din lokala återförsäljare av Makita-produkter om du behöver ytterligare hjälp med eller mer detaljer angående dessa tillbehör.

- Sticksågsblad
- Sexkantsnyckel 4
- Parallellanslagssats (Anslagsskenasats)
- Slåde för ledskena
- Ledskena för slåde
- Flisningskydd
- Skyddsplatta
- Dammstos
- Olika typer av Makita originalbatterier och -laddare

## Forklaring til generell oversikt

1 Rød del	13 Dekkeplate	25 Vernfører
2 Knapp	14 Antiflisinnretning	26 Gjenget knott
3 Batteri	15 Støvtrakt	27 Sirkulær førerstift
4 Skiftehendel for sagefunksjon	16 Slange til støvsuger	28 Ledestang
5 AV-sperreknapp	17 Sagelinje	29 Ledeskinneadapter
6 Startbryter	18 Bolt	30 Ledeskinne
7 Verktøysåpner	19 Skrååpning	31 Skrue
8 Bladklemme	20 Graderinger	32 Grensemarkering
9 Stikksagblad	21 V-hakk	33 Børsteholderhette
10 Utstikkende deler	22 Girhus	34 Skrutrekker
11 Fot	23 Starthull	
12 Sekskantnøkkel	24 Ripevern	

## TEKNISKE DATA

Modell		BJV140	BJV180
Slaglengde		26 mm	26 mm
Maks. skjærekapasitet	Tre	135 mm	135 mm
	Bløtt stål	10 mm	10 mm
	Aluminium	20 mm	20 mm
Slag per minutt (min <sup>-1</sup> )		0 – 2 600	0 – 2 600
Totallengde		255 mm	257 mm
Nettovekt		2,7 kg	2,8 kg
Klassifisert spenning		DC 14,4 V	DC 18 V

- Grunnet det kontinuerlige forsknings- og utviklingsprogrammet, forbeholder vi oss retten til å foreta endringer i tekniske data uten forvarsel.
- Merk: Tekniske data kan variere fra land til land.

## Bruksområde

Maskinen er beregnet til saging av materialer av tre, plast og metall. Som et resultat av vårt utvidete tilbehør- og bladprogram, kan maskinen brukes til mange formål og er særdeles godt egnet til kurve- og sirkelskjæring.

## Sikkerhetstips

For din egen sikkerhets skyld ber vi deg lese de medfølgende sikkerhetsreglene.

## SPESIFIKKE SIKKERHETSREGLER

IKKE LA hensynet til hva som er "behagelig" eller det faktum at du kjenner produktet godt (etter mange gangers bruk) gjøre deg mindre oppmerksom på sikkerhetsreglene for bruken av stikksagen. Hvis du bruker dette elektriske verktøyet på en farlig eller ukorrekt måte, kan du få alvorlige helseskader.

1. Hold elektroverktøy i de isolerte håndtakene når du utfører en operasjon der skjærende verktøy kan komme i kontakt med skjulte ledninger eller ledningen til maskinen selv. Kontakt med en strømførende ledning vil også gjøre uisolerte deler av maskinen strømførende og gi operatøren elektrisk støt.
2. Fest og støtt arbeidsstykket med klemmer eller på en annen praktisk måte, på et stabilt underlag. Hvis du holder arbeidsstykket med hånden eller mot kroppen, vil det være ustabilt og du kan komme til å miste kontrollen.

3. Du må alltid bruke vernebriller eller ansiktsvern. Vanlige briller eller solbriller er IKKE vernebriller.
4. Unngå å sage over spikre. Sjekk arbeidsemnet for eventuelle spikre og fjern disse før arbeidet begynner.
5. Skjær ikke arbeidsstykker som er for store.
6. Sjekk at det er stor nok klaring rundt emnet for sagingen begynner slik at ikke bladet kommer i berøring med gulvet, arbeidsbenken, etc.
7. Hold godt fast i verktøyet.
8. Sørg for at bladet ikke kommer i berøring med arbeidsstykket før verktøyet slås på.
9. Hold hendene unna bevegelige deler.
10. Forlat ikke verktøyet når det er igang. Verktøyet må bare betjenes når det holdes med begge hendene.
11. Slå strømmen av og vent til sagbladet har stoppet helt før det fjernes fra arbeidsstykket.
12. Rør aldri bladet eller arbeidsstykket like etter en skjæreoperasjon; de kan være meget varme og forårsake brannskader.
13. Ikke bruk verktøyet uten belastning hvis det ikke er nødvendig.
14. Enkelte materialer inneholder kjemikalier som kan være giftige. Treff tiltak for å hindre innånding av støv og hudkontakt. Følg leverandørens sikkerhetsanvisninger.
15. Bruk alltid riktig støvmaske/pustemaske for det materialet og det bruksområdet du arbeider med.

TA VARE PÅ DISSE INSTRUKSENE.



## ADVARSEL:

MISBRUK av verktøyet eller mislighold av sikkerhetsreglene i denne brukerhåndboken kan resultere i alvorlige helseskader.

## VIKTIGE SIKKERHETSANVISNINGER FOR LADER OG BATTERI

1. Før du begynner å bruke batteriet, må du lese alle anvisninger og forsiktighetsregler på (1) batteriladeren, (2) batteriet og (3) det produktet batteriet skal brukes i.
2. Ikke ta fra hverandre batteriet.
3. Hvis driftstiden er blitt vesentlig kortere, må du omgående slutte å bruke verktøyet. Hvis ikke kan resultatet bli overoppheting, mulige forbrenninger eller til og med en eksplosjon.
4. Hvis du får elektrolytt i øynene, må du skylle dem med store mengder rennende vann og oppsøke lege med én gang. Denne typen uhell kan føre til varig blindhet.
5. Ikke kortslett batteriet.
  - (1) Ikke berør batteripolene med ledende materialer.
  - (2) Ikke lagre batteriet i samme beholder som andre metallgjenstander, som for eksempel spiker, mynter osv.
  - (3) Ikke la batteriet komme i kontakt med vann eller regn.En kortslutning av batteriet kan føre til et kraftig strømstøt, overoppheting, mulige forbrenninger og til og med til at batteriet går i stykker.
6. Ikke lagre verktøyet og batteriet på steder hvor temperaturen kan komme opp i eller overskride 50°C.
7. Ikke sett fyr på batteriet, ikke engang om det er sterkt skadet eller helt utslitt. Batteriet kan eksplodere hvis det begynner å brenne.

## Velge sagefunksjon (Fig. 2)

Denne maskinen kan betjenes med en sirkulerende eller en rettlinjert (opp og ned) sagefunksjon. Den sirkulerende sagefunksjonen støter bladet fremover på sagslaget og øker sagehastigheten betydelig.

For å endre sagefunksjonen er det bare å vri sagefunksjonens skiftehendel til ønsket sagefunksjon. Se tabellen under for valg av sagefunksjon.

Posisjon	Sagefunksjon	Anvendelse
0	Rettlinjert sagefunksjon	Til saging av bløtt stål, rustfritt stå og plast. For rene skjæreflater i tre og finer.
I	Liten sirkelfunksjon	Til saging av bløtt stål, aluminium og hardt tre.
II	Middels sirkelfunksjon	Til saging av tre og finer. Til rask saging i aluminium og bløtt stål.
III	Stor sirkelfunksjon	Til rask saging i tre og finer.

8. Vær forsiktig så du ikke mister batteriet eller utsetter det for slag.

## TA VARE PÅ DISSE INSTRUKSENE.

### Tips for å opprettholde maksimal batterilevetid

1. Lad batteriet igjen før det er fullstendig utladet. Hold alltid opp å bruke verktøyet når du merker at det er lite strøm på batteriet. Sett batteriet til lading.
2. Et helt oppladet batteri må aldri settes til ny lading. Overopplading forkorter batteriets levetid.
3. Lad opp batteriet ved romtemperatur, dvs. 10°C – 40°C. Hvis batteriet er varmt, må det få avkjøle seg før lading.

## FUNKSJONS BESKRIVELSE

### NB!

- Forviss deg alltid om at verktøyet er slått av og at batteriet er fjernet før du justerer verktøyet eller kontrollerer dets funksjoner.

### Installere eller fjerne batteriet (Fig. 1)

- Slå alltid av verktøyet før batteriet settes inn eller fjernes.
- For å fjerne batteriet må du trekke det ut av verktøyet mens du skyver knappen på forsiden av batteriet.
- Batteriet monteres ved å samstemme tungen på batteriet med sporet i huset og skyve det på plass. Skyv det alltid helt inn til det klikker på plass. Hvis du kan se den røde delen øverst på knappen, betyr det at det ikke er satt inn skikkelig. Skyv det helt inn til den røde delen ikke ses lenger. Hvis dette ikke gjøres, kan batteriet falle ut og påføre deg eller eventuelle andre skader.
- Ikke bruk makt når du setter i batteriet. Hvis batteriet ikke gli lett når det settes inn, betyr det at det ikke settes inn på riktig måte.

## Bryter (Fig. 3 og 4)

NB!

- Før støpslet settes i stikkkontakten må det sjekkes at bryteren fungerer som den skal og går tilbake til "OFF" når den slippes.
- Når maskinen ikke skal brukes mer, må du trykke på AV-sperreknappen fra A-siden for å låse startbryteren i AV-stilling.

For å unngå at startbryteren trykkes inn ved en feiltakelse, er maskinen utstyrt med en AV-sperreknapp.

For å starte maskinen må du trykke på AV-sperreknappen fra B-siden og trykke på startbryteren.

Hvis du trykker hardere på startbryteren, økes turtallet på maskinen. Slipp startbryteren for å stoppe maskinen. Etter bruk må du alltid trykke inn AV-sperreknappen fra A-siden.

## Tenne lampene

NB!

- Se aldri direkte inn i lampen eller direkte på lyskilden.

Lampen tennes ved å trykke inn funksjonsbryteren og slukkes ved å slippe den igjen.

MERKNAD:

- Bruk en tørr klut til å tørke skitt av lampelinsen med. Pass på at ikke linsen ripes opp siden dette kan redusere belysningseffekten.

## SAMMENSETTING

NB!

- Forviss deg alltid om at verktøyet er slått av og at batteriet er fjernet før du utfører noe arbeid på verktøyet.

## Montering eller demontering av sagblad

NB!

- Rens alltid ut spon eller fremmedlegemer som kan ha satt seg fast på bladet og/eller bladholderen. Hvis dette overses, kan det forårsake utilstrekkelig strømming av bladet med alvorlige personskader til følge.
- Rør ikke bladet eller arbeidsemnet like etter bruk; de kan være svært varme og forårsake forbrenninger.
- Stram sagbladet forsvarlig. Hvis dette ikke gjøres kan resultat bli en alvorlig ulykke.
- Ved demontering av bladet må en passe på at ikke fingrene skjæres opp av bladspissen eller spissen på arbeidsemnet.

For å montere bladet må du åpne verktøyholderen som vist på figuren. (Fig. 5)

Hold den slik og sett sagbladet inn i bladklemmen så langt at de to utspringene på bladet ikke kan ses. (Fig. 6) Returner maskinåpneren til utgangsposisjonen. Etter at sagbladet er montert, må en alltid sjekke at det sitter forsvarlig fast ved å prøve å trekke det ut.

NB!

- Maskinåpneren må ikke åpnes for mye, det kan ødelegge verktøyet.

For å fjerne bladet må du åpne verktøyholderen som vist på figuren. (Fig. 7) Trekk sagbladet ut mot foten.

MERKNAD:

- Smør trinsen regelmessig.

## Oppbevaring av sekskantnøkkelen (Fig. 8)

Når sekskantnøkkelen ikke er i bruk, må du oppbevare den som vist på figuren for ikke å miste den.

## Dekkeplate (Fig. 9)

Bruk dekkeplaten når du skal sage dekorasjonsfiner, plast, etc. Den beskytter skjøre og tynne overflater mot skader. Fest platen bak på maskinfoten.

## Antifilissinnretning (Fig. 10)

Flisfrie snittflater kan oppnås ved å bruke antifilissinnretningen. Innretningen monteres ved å skyve maskinfoten hele veien frem og sette den inn fra på foten bakfra. Når dekkeplaten brukes, monteres antifilissinnretningen fast på dekkeplaten.

NB!

- Antifilissinnretningen kan ikke brukes under skråskjæring.

## Støvsuging

Det anbefales å bruke støvtrakten (ekstrautstyr) for renere sageoperasjoner. (Fig. 11)

Monter støvtrakten på maskinen, sett kroken på trakten inn i hullet i foten.

Støvtrakten kan monteres på enten venstre eller høyre side av foten. (Fig. 12)

Kople deretter en Makita støvsuger til støvtrakten.

Følg omvendt installeringsprosedyre for å demontere støvtrakten. (Fig. 13)

## BRUK

NB!

- Maskinen må holdes vinkelrett på materialet ellers kan bladet brekke og forårsake alvorlige personskader. (Fig. 14)

Slå på maskinen uten at bladet berører arbeidsstykket, og vent til bladet går med full hastighet. La deretter maskinfoten hvile flatt på materialet og beveg maskinen forsiktig fremover langs den opptegnede sagelinjen.

MERKNAD:

- Hvis verktøyet brukes kontinuerlig inntil batteriet er utladet, må du la verktøyet hvile i 15 minutter før du fortsetter med et nytt batteri.

Ved saging av kurver, må maskinen bevegges meget langsomt.

## Skråskjæring (Fig. 15)

NB!

- Forviss deg alltid om at maskinen er slått av og batteriet tatt ut før du vinkler maskinfoten.

Når maskinfoten vippes opp kan du utføre skråskjæringer i en hvilken som helst vinkel på mellom 0° og 45° (venstre eller høyre).

Skru løs bolten på baksiden av foten med sekskantnøkkelen. Flytt foten slik at bolten er plassert midt under skrååpningen i foten. (Fig. 16)

Vipp foten til ønsket skråvinkel oppnås. V-hakket i girhuset angir skråvinkelen i graderinger. Stram deretter bolten forsvarlig slik at foten sitter fast. (Fig. 17)

## Front planskjæring

Løsne skruen på baksiden av foten med sekskantnøkkelen, og skyv foten helt tilbake. Stram bolten så foten sitter forsvarlig fast. (Fig. 18)

## Innstikkskjæring

Innstikkskjæring kan gjøres med en av to metoder, A eller B.

### A) Bore et starthull (Fig. 19):

For utskjæring uten at det sages inn fra en av sidene, bores det først et starthull på 12 mm eller mer i diameter. Sett bladet inn i dette hullet og start sagingen.

### B) Plungerskjæring (Fig. 20):

Det er ikke nødvendig å bore et starthull eller sage inn fra kanten hvis du nøye følger denne prosedyren.

1. Vipp maskinen opp på frontkanten av foten, og med bladspissen like over materialeflaten.
2. Legg trykk på maskinen slik at frontkanten av foten ikke flytter seg når du slår maskinen på og varsomt og langsomt senker bakre ende av maskinen.
3. Idet bladet sager igjennom emnet, senkes maskinfoten ned på emnet.
4. Fortsett sagingen på vanlig vis.

### Finpusning av kanter (Fig. 21)

For å trimme kantene eller gjøre dimensjonelle justeringer, lar du bladet gå langs snittkantene.

## Metallskjæring

Bruk alltid en egnet kjølevæske (smøreolje) ved skjæring av metall. Hvis dette ikke gjøres kan det forårsake stor slitasje på bladet. Undersiden av emnet kan smøres med fett istedet for å bruke kjølevæske.

## Ripevernsett (ekstrautstyr)

NB!

- Forviss deg alltid om at maskinen er slått av og batteriet tatt ut før du monterer eller fjerner tilbehør.

### 1. Rettlinjet skjæring (Fig. 22 og 23)

Ved gjentatt saging av emner med bredde på 160 mm eller mindre, bør du bruke ripevernet som sikrer raske, rene og rette snittflater. Vernet monteres ved å sette det inn i det rektangulære hullet på siden av maskinfoten med vernføreren pekende ned. Skyv ripevernet til ønsket skjærebredde og stram bolten så det sitter fast.

### 2. Sirkelskjæring (Fig. 24 og 25)

Ved saging av sirkler eller buer på 170 mm eller mindre i radius, monteres ripevernet på følgende måte. Sett ripevernet inn i det rektangulære hullet på siden av maskinfoten med vernføreren pekende opp. Før den sirkulære førerstiften gjennom ett av de to hullene på vernføreren. Skru knotten med gjenger fast på stiften så den sitter fast. Skyv ripevernet til ønsket skjæreradius og stram bolten så det sitter fast. Skyv maskinfoten hele veien frem.

MERKNAD:

- Bruk alltid blad Nr. B-17, B-18, B-26 eller B-27 ved saging av sirkler eller buer.

## Adaptersett til ledeskinne (tilbehør) (Fig. 26)

Ved skjæring av parallelle emner av samme bredde eller ved rettlinjet skjæring, vil arbeidet utføres både raskere og rensligere ved bruk av ledeskinne og adaptersett til ledeskinnen.

Ledeskinneadapteren monteres ved å sette ledestangen inn i firkanthullet på foten så langt den kan komme.

Stram bolten forsvarlig med sekskantbolten. (Fig. 27)

Monter ledeskinneadapteren på ledeskinnen. Sett ledestangen inn i firkanthullet på ledeskinneadapteren. Still foten på siden av ledeskinnen og stram bolten forsvarlig. (Fig. 28)

NB!

- Bruk alltid blad Nr. B-8, B-13, B16, B-17 eller 58 når ledeskinnen og ledeskinneadapteren brukes.

## VEDLIKEHOLD

NB!

- Forviss deg alltid om at verktøyet er slått av og at batteriet er fjernet før du foretar inspeksjon eller vedlikehold.

### Skifte kullbørster (Fig. 29 og 30)

Fjern og kontroller kullbørstene med jevne mellomrom. Skift dem når de begynner å bli slitt ned mot grensemarkeringen. Hold kullbørstene rene, og la dem gli fritt i holderne. Begge kullbørstene bør skiftes samtidig. Bruk kun identiske kullbørster.

Bruk en skrutrekker til å fjerne hettene på børsteholderne. Ta ut de slitte kullbørstene, sett inn de nye og fest hettene på børsteholderne.

For å opprettholde produktets SIKKERHET og PÅLITELIGHET, må reparasjoner og annet vedlikeholdsarbeid eller justeringer bare utføres av et Makita-godkjent serviceverksted, og det må alltid benyttes Makita reservedeler.

## TILBEHØR

NB!

- Dette tilbehøret eller utstyret anbefales til å brukes med ditt Makita-verktøy som er spesifisert i denne bruksanvisningen. Bruk av annet tilbehør eller utstyr kan medføre risiko for personskader. Tilbehør og utstyr må bare bruk til de formål de er beregnet til.

Kontakt nærmeste Makita-serviceverksted dersom du trenger videre opplysninger angående tilbehøret.

- Stikksagblad
- Sekskantnøkkel 4
- Ripevernsett (Styreskinnesett)
- Adaptersett til ledeskinne
- Sett til ledeskinne
- Antiflisinnretning
- Dekkeplate
- Støvtrakt
- Ulike typer originale batterier og ladere fra Makita

**Yleisselostus**

1 Punainen osa	12 Kuusioavain	24 Halkaisuohjain
2 Painike	13 Suojalevy	25 Ohjain
3 Akku	14 Säilytymisen estolaite	26 Kierteinen nappi
4 Sahaustoinnin muutoskytkin	15 Pölysuutin	27 Kaariohjaintappi
5 Lukituksen vapautuspainike	16 Pölynimurin letku	28 Ohjaustanko
6 Liipaisinkytkin	17 Sahauslinja	29 Ohjauskiskon sovitin
7 Koneen avaja	18 Pultti	30 Ohjauskisko
8 Teränpidin	19 Viisteura	31 Ruuvi
9 Pistosahan terä	20 Asteikko	32 Rajamerkki
10 Ulokkeet	21 V-ura	33 Harjanpitimen kansi
11 Jalusta	22 Vaihdekotelo	34 Ruuvitaltta
	23 Aloitusreikä	

**TEKNISET TIEDOT**

Malli		BJV140	BJV180
Iskun pituus		26 mm	26 mm
Suurin leikkaukaskapasiteetti	Puu	135 mm	135 mm
	Pehmeä teräs	10 mm	10 mm
	Alumiini	20 mm	20 mm
Iskua minuutissa (min <sup>-1</sup> )		0 – 2 600	0 – 2 600
Kokonaispituus		255 mm	257 mm
Nettopaino		2,7 kg	2,8 kg
Nimellisjännite		14,4 V tasavirta	18 V tasavirta

- Jatkuvan tutkimus- ja kehitysohjelman vuoksi pidämme oikeuden muuttaa tässä mainittuja teknisiä ominaisuuksia ilman ennakoimattomista.
- Huomaa: Tekniset ominaisuudet saattavat vaihdella eri maissa.

**Käyttötarkoitus**

Kone on tarkoitettu puun, muovin ja metallien sahaamiseen. Mittavan lisävaruste- ja sahanterävalikoiman ansiosta konetta voidaan käyttää lukuisiin tarkoituksiin ja se sopii erittäin hyvin kaarevien ja pyöreiden sahausten tekemiseen.

**Turvaohjeita**

Oman turvallisuutesi vuoksi lue mukana seuraavat turvaohjeet.

**ERITYISIÄ TURVALLISUUSOHJEITA**

**ÄLÄ** anna mukavuuden tai (toistuvan käytön tuottaman) kokemuksen tuotteesta korvata kuviosahan turvallisuusohjeiden ehdotonta noudattamista. Jos tätä sähkötyökälua käytetään turvattomasti tai virheellisesti, seurauksena voi olla vakava loukkaantuminen.

1. Tartu sähkötyökäluihin eristetyistä tartuntapinoista tehdessäsi töitä, joissa leikkaava kone voi osua pillossa olevaan johtoon tai omaan virtajohtoonsa. Jännitteeseen johtoon osuminen saa koneen metalliosat jännitteisiksi ja aiheuttaa käyttäjälle sähköiskun.
2. Kiinnitä ja tue työkappale tukevaan alustaan puristimilla tai muulla käteväällä tavalla. Työkappaleen pitäminen kädessä tai ruumista vasten jättää sen epävakaaaksi ja voi johtaa hallinnan menettämiseen.
3. Käytä aina suojalaseja. Tavalliset silmälasit tai aurinkolasit EIVÄT ole suojalaseja.
4. Älä leikkaa nautoja. Tutki työkappale ennen työskentelyä ja poista kaikki naulat.
5. Älä sahaa ylisuuria työkappaleita.
6. Varmista ennen sahaamista, että työkappaleen ympärillä on riittävästi tilaa siten, että terä ei osu lattiaan, höyläpenkkiin tms.
7. Pitele konetta käsin tukevasti.
8. Varmista että terä koskettaa työkappaleeseen vasta koneen käynnistämisen jälkeen.
9. Pidä kädet loitolla liikkuvista osista.
10. Älä jätä konetta käyntiin. Käytä konetta vain pidellessäsi sitä tukevasti käsin.
11. Pysäytä kone ja odota kunnes terä pysähtyy täysin, ennen than nostamista työkappaleesta.

12. Älä koske terään tai työkappaleeseen heti työstön jälkeen. Osat voivat olla erittäin lämpimiä ja polttaa ihoasi.
13. Älä käytä konetta turhaan tyhjäkäynnillä.
14. Jotkin materiaalit sisältävät myrkyllisiä kemikaaleja. Vältä hengittämästä pölyä ja varo ihokosketusta. Noudata materiaalin toimittajan turvallisuusohjeita.
15. Käytä aina materiaalille ja työlle sopivaa hengityssuodatinta/-suojaa.

## SÄILYTÄ NÄMÄ OHJEET.

### VAROITUS:

**VÄÄRINKÄYTTÖ** tai tässä ohjekirjassa mainittujen turvaohjeiden noudattamatta jättäminen voi aiheuttaa vakavan loukkaantumisen.

## TÄRKEITÄ TURVAOHJEITA AKKULATAAJALLE

1. Lue kaikki (1) akkulataajan, (2) akun ja (3) akkua käyttävän laitteen ohjeet ja varoitusmerkinnät ennen akkulataajan käyttöä.
2. Älä pura akkua osiinsa.
3. Jos käyttöaika lyhenee huomattavasti, lopeta työskentely välittömästi. Tämä voi aiheuttaa ylikuumentumisen, mahdollisia palovammoja ja jopa räjähdysriskin.
4. Jos akkuhappoa pääsee silmiin, huuhtelee ne puhtaalla vedellä ja hakeudu heti lääkäriin. Tämä voi aiheuttaa näön menetyksen.
5. Älä kytke akkua oikosulkuun:
  - (1) Älä kosketa liittimiä millään sähköä johtavalla esineellä.
  - (2) Älä säilytä akkua yhdessä metalliesineiden kuten naulojen, kolikoiden tms. kanssa.
  - (3) Suojaa akku vedeltä ja sateelta. Akun oikosulku voi aiheuttaa voimakkaan sähkövirran, ylikuumentumisen, mahdollisia palovammoja ja konerikon.
6. Älä säilytä konetta ja akkua paikoissa, joiden lämpötila voi nousta tai kohota yli 50°C.

### Sahaustoiminnon valitseminen (Kuva 2)

Tätä laitetta voidaan käyttää pyöreiden muotojen tai suorien linjojen (ylös ja alas) sahaamiseen. Pyöreiden muotojen sahaustoiminto työntää terää eteenpäin sahauskeskittämällä ja lisää huomattavasti sahausnopeutta.

Vaihda sahaustoimintoa kääntämällä sahaustoiminnon vaihtokytkin halumaasi sahaustoimintoasentoon. Valitse sahaustoiminto alla olevan taulukon avulla.

Asento	Sahaustoiminto	Käyttötarkoitukset
0	Suoran linjan sahaaminen	Pehmeän teräksen, ruostumattoman teräksen ja muovin sahaaminen. Siistien sahausten tekeminen puuhun ja vaneriin.
I	Pienen pyöreän muodon sahaaminen	Pehmeän teräksen, alumiinin ja kovapuun sahaaminen.
II	Keskikokoisen pyöreän muodon sahaaminen	Puun ja vanerin sahaaminen. Alumiinin ja pehmeän teräksen nopea sahaaminen.
III	Suuren pyöreän muodon sahaaminen	Puun ja vanerin nopea sahaaminen.

7. Älä hävitä akkua polttamalla, vaikka se olisi pahasti vioittunut tai kulunut loppuun. Akku voi räjähtää tulessa.
8. Varo pudottamasta ja kolhimasta akkua.

## SÄILYTÄ NÄMÄ OHJEET.

### Vihjeitä akun käyttöiän maksimoimiseksi

1. Lataa akku ennen kuin se on kokonaan purkautunut.  
Jos huomaat käyttövoiman heikentyneen, lopeta aina koneen käyttäminen ja lataa akku.
2. Älä koskaan lataa täyteen ladattua akkua. Liiallinen lataaminen lyhentää akun käyttöikää.
3. Lataa akku huoneenlämmössä 10°C – 40°C. Anna kuumen akku jäähtyä ennen sen lataamista.

## TOIMINTOKUVAUS

### VARO:

- Varmista aine ennen koneelle tehtäviä säätöjä ja tarkistuksia, että kone on sammutettu ja akku irrotettu.

### Akun kiinnittäminen ja irrottaminen (Kuva 1)

- Sammuta kone aina ennen akun kiinnittämistä ja irrottamista.
- Akku irrotetaan vetämällä sitä irti koneesta samalla kun siirretään akun edessä olevaa painiketta.
- Akku kiinnitetään asettamalla akussa oleva kieleke kotelossa olevan uran kohdalle ja sujauttamalla se paikalleen. Työnnä aina kokonaan sisään, kunnes se napsahtaa kevyesti paikalleen. Jos painikkeen yläosassa oleva punainen osa jää näkyviin, akkua ei ole kokonaan lukittu paikalleen. Työnnä akku kokonaan sisään, kunnes punaista osaa ei näy. Jos et toimi näin, akku voi irrota vahingossa koneesta ja aiheuttaa itsesi tai sivullisen loukkaantumisen.
- Älä työnnä akkua väkisin sisään. Jos akku ei mene helposti paikalleen, sitä ei ole asetettu oikein paikalleen.

## Kytkimen käyttäminen (Kuva 3 ja 4)

VARO:

- Varmista aina ennen koneen käynnistämistä, että liipaisinkytkin toimii moitteettomasti ja että se palautuu vapautettaessa "OFF" asentoon.
- Kun et käytä konetta, paina lukituksen vapautuspainiketta A-puolelta lukitaksesi liipaisinkytkimen "OFF"-asentoon.

Lukituksen vapautuspainike on olemassa sen takia, ettei liipaisinkytkintä vahingossa painettaisi.

Kone käynnistetään painamalla lukituksen vapautuskytkintä B-puolelta ja painamalla liipaisinkytkintä.

Koneen nopeus lisääntyy lisättäessä painetta liipaisinkytkimeen. Kun haluat pysäyttää koneen, vapauta liipaisinkytkin. Paina aina käytön jälkeen lukituksen vapautuspainike sisään A-puolelta.

## Lamppujen sytyttäminen

VARO:

- Älä katso suoraan valoon tai valonlähteeseen.

Lamppu sytytetään painamalla liipaisinta. Lamppu sammutetaan vapauttamalla liipaisin.

HUOMAUTUS:

- Pyyhi lika lampun linssiltä kuivalla liinalla. Varo naarmuttamista lamppua, sillä tämä voi heikentää valotehoa.

## KOKOAMINEN

VARO:

- Varmista aina ennen koneelle tehtäviä toimenpiteitä, että kone on sammutettu ja akku irrotettu.

## Sahanterän kiinnittäminen ja irrottaminen

VARO:

- Poista aina terään ja/tai teränpiteeseen tarttuneet lastut ja vieraat esineet. Jos et tee näin, terää ei mahdollisesti voida kiinnittää riittävän tiukasti, mikä voi aiheuttaa vakavan loukkaantumisen.
- Älä kosketa terää äläkä työkalupäätä välittömästi työkentelyn jälkeen. Ne voivat olla erittäin kuumia ja polttaa ihoasi.
- Kiristä sahanterä tiukasti paikalleen. Jos et toimi näin, voi seurauksena olla vakava loukkaantuminen.
- Kun irrotat sahanterän, varo ettetä satuta sormiasi terän yläosaan etkä työkalupäälle.

Kun haluat kiinnittää terän, avaa koneen avaaja kuvan osoittamaan asentoon. **(Kuva 5)**

Pida se tässä asennossa ja työnnä sahanterä teränpiteeseen niin syväälle, että terän kaksi ulkonemaa eivät jää näkyviin. **(Kuva 6)**

Palauta koneen avaaja alkuperäiseen asentoonsa. Kun olet kiinnittänyt sahanterän, varmista vetämällä, että terä on tiukasti paikallaan.

VARO:

- Älä avaa koneen avaajaa liian paljon, koska tämä voi vioittaa konetta.

Kun haluat irrottaa terän, avaa koneen avaaja kuvan osoittamaan asentoon. **(Kuva 7)** Vedä sahanterä ulos jalustaa kohti.

HUOMAUTUS:

- Voitele rulla ajoittain.

## Kuusioavaimen säilytys (Kuva 8)

Kun kuusioavain ei ole käytössä, säilytä se kuvan osoittamalla tavalla jotta se ei häviä.

## Suojalevy (Kuva 9)

Käytä suojalevyä, kun sahaat koristeellista vaneria, muovia tms. Tämä suojaa arkoja ja herkkiä pintoja vahingoittumiselta. Sovita suojalevy koneen jalustan takaosaan.

## Sälöytymisen estolaite (Kuva 10)

Käytä säilytymisen estolaitetta estääksesi työkalupäleen säilytymistä. Kiinnitä säilytymisen estolaite siirtämällä koneen jalusta kokonaan eteen ja sovi laite paikalleen koneen jalustan takakautta. Kun käytät suojalevyä, kiinnitä säilytymisen estolaite suojalevyn päälle.

VARO:

- Säilytymisen estolaitetta ei voida käyttää viistesahauksia tehtäessä.

## Pölyn poistaminen

Puhtaan työskentelytuloksen saamiseksi suosittelemme pölysuuttimen (erikseen myytävä lisävaruste) käyttöä.

**(Kuva 11)**

Pölysuutin kiinnitetään koneeseen työntämällä sen koukku jalustan aukkoon.

Pölysuutin voidaan kiinnittää joko jalustan vasemmalle tai oikealle puolelle. **(Kuva 12)**

Kiinnitä sitten Makitan pölynimuri pölysuuttimeen. **(Kuva 13)**

## KÄYTTÖ

VARO:

- Pidä koneen jalusta aina suorassa työkalupäätä vasten. Jos et toimi näin, terä saattaa murtua aiheuttaen vakavan loukkaantumisen. **(Kuva 14)**

Käynnistä kone mutta niin että terä ei kosketa työkalupäätä ja odota kunnes terä saavuttaa täyden nopeuden. Aseta kone sitten tasaisesti työkalupäälle ja liikuta konetta kevyesti aiemmin merkittyä sahauslinjaa pitkin.

HUOMAUTUS:

- Jos konetta käytetään jatkuvasti akun tyhjenemiseen saakka, anna koneen levätä 15 minuuttia ennen jatkamista uudella akulla.

Liikuta konetta erittäin hitaasti, kun sahaat kaarevia linjoja.

## Viistesahaus (Kuva 15)

VARO:

- Varmista aina, että kone on sammutettu ja akku irrotettu ennen jalustan kallistamista.

Kun koneen jalusta on kallistettuna, voit viistesahata missä tahansa kulmassa 0° ja 45° välillä (vasemmalle tai oikealle).

Löysennä jalustan takaosassa olevaa ruuvia kuusioavaimella. Siirrä jalustaa siten, että ruuvi tulee jalustan viistesaukon keskelle. **(Kuva 16)**

Kallista jalusta haluamaasi kulmaan. Vaihdekotelon V-ura osoittaa viistekulman asteikolla. Varmista sitten jalustan kiinnitys kiristämällä ruuvi tiukasti. **(Kuva 17)**

## Liitosreunan sahaaminen

Avaa jalustan takaosan pultti kuusioavaimella ja siirrä jalusta aivan taakse. Varmista lopuksi koneen jalustan kiinnitys kiristämällä pultti. **(Kuva 18)**

## Katkaisu

Katkaisu voidaan tehdä kahdella eri tavalla A tai B.

### A) Poraamalla aloitusreikä (Kuva 19):

Kun haluat tehdä katkaisun sahaamalla tulouraa reunasta saakka, poraa läpimitaltaan vähintään 12 mm suuruinen aloitusreikä. Aloita sahaaminen asettamalla terä tähän reikään.

### B) Pistosahaus (Kuva 20):

Aloitusreikää eikä tulouraa tarvita, kun toimit seuraavasti:

1. Kallista konetta ylös jalustan etureunasta siten, että terän kärki asetuu juuri työkappaleen yläpuolelle.
2. Paina konetta siten, että jalustan etureuna ei liiku, kun käynnistät koneen ja lasket koneen takapäätä hitaasti ja varovasti.
3. Kun terä läpäisee työkappaleen, laske koneen jalustaa hitaasti työkappaleen pintaan.
4. Päätä sahaus normaaliin tapaan.

## Reunojen viimeistely (Kuva 21)

Reunojen viimeistely ja mittojen hienosäätö tehdään liikkuttamalla terää varovasti sahausreunaan pitkin.

## Metallin sahaaminen

Käytä aina tarkoitukseen sopivaa lastuamisnestettä metallia sahatessasi. Jos et toimi näin, terä kuluu huomattavasti nopeammin. Lastuamisnesteen sijaan voidaan käyttää työkappaleen alapintaan siveltävää rasvaa.

## Halkaisuohjainsarja

### (erikseen myytävä lisävaruste)

VARO:

- Varmista aina, että kone on sammutettu ja akku irrotettu ennen lisävarusteiden kiinnittämistä tai irrottamista.

### 1) Suora sahaus (Kuva 22 ja 23)

Kun teet useita 160 mm tai kapeampia sahausksia, halkaisuohjaimen käyttö mahdollistaa nopeiden ja siistien suorien sahausten tekemisen. Halkaisuohjain kiinnitetään työntämällä se koneen jalustan sivussa olevaan nelikulmaiseen aukkoon siten, että halkaisuohjain osoittaa alaspäin. Siirrä halkaisuohjain haluamaasi sahausleveyttä vastaavaan asentoon ja varmista sen kiinnitys kiristämällä pultti.

### 2) Pyöreä sahaus (Kuva 24 ja 25)

Kun sahaat läpimitaltaan enintään 170 mm:n ympyröitä tai kaaria, kiinnitä halkaisuohjain seuraavasti. Työnnä halkaisuohjain koneen jalustan sivussa olevaan nelikulmaiseen aukkoon siten, että halkaisuohjain osoittaa ylöspäin. Työnnä kaariohjaintappi jommankumman ohjaimessa olevan reiän läpi. Varmista tapin kiinnitys ruuvaamalla kiertäinen nuppi kiinni puikkoon. Siirrä sitten halkaisuohjain haluamaasi sahattavaa läpimittaa vastaavaan asentoon ja kiristä pultti paikalleen. Siirrä lopuksi koneen jalusta kokonaan eteen.

HUOMAUTUS:

- Käytä aina teriä B-17, B-18, B-26 tai B-27 sahatessasi ympyröitä tai kaaria.

## Ohjauksikon sovitinsarja (lisävaruste) (Kuva 26)

Samansuuntaisten ja –pituisten tai suorien sahausten tekeminen sujuu nopeammin ja siistimmin, kun käytät ohjauksikkoa ja ohjauksikon sovitinsarjaa.

Kiinnitä ohjauksikko työntämällä ohjaustanko jalustassa olevaan neliömäiseen reikään niin syvälle kuin se menee. Kiinnitä ruuvi tiukasti kuusioavaimella. (Kuva 27) Kiinnitä ohjauksikon sovitin ohjauksikon kiskoon. Työnnä ohjaustanko ohjauksikossa olevaan neliömäiseen reikään. Aseta jalusta ohjauksikon ja kiristä ruuvi tiukasti. (Kuva 28)

VARO:

- Käytä aina teriä nro. B-8, B-13, B-16, B-17 tai 58, kun käytät ohjauksikkoa ja ohjauksikon sovitinta.

## HUOLTO

VARO:

- Varmista aina ennen koneen tutkimista ja huoltotöiden tekemistä, että kone on sammutettu ja akku irrotettu.

## Harjahiiltien vaihtaminen (Kuva 29 ja 30)

Irrota ja tarkista harjahiilet säännöllisesti. Vaihda ne, kun ne ovat kuluneet rajamerkkiin saakka. Pidä harjahiilet puhtaina ja vapaina liukumaan pitimissään. Molemmat harjahiilet tulee vaihtaa kerralla. Käytä vain keskenään samanlaisia harjahiiliä.

Irrota harjanpitimen kannet ruuvitaltalla. Irrota kuluneet harjahiilet, aseta uudet paikalleen ja kiinnitä harjanpitimen kannet.

Koneen TURVALLISUUDEN ja KÄYTTÖVARMUUDEN vuoksi korjaukset ja muut kunnossapitotyöt ja säädöt saa suorittaa ainoastaan Makitan valtuuttama huolto käyttäen vain Makitan varaosia.

## LISÄVARUSTEET

VARO:

- Näitä lisävarusteita ja -laitteita suositellaan käytettäväksi tässä ohjekirjassa mainitun Makitan koneen kanssa. Minkä tahansa muun lisävarusteen tai -laitteen käyttäminen voi aiheuttaa loukkaantumisaaran. Käytä lisävarusteita ja -laitteita vain niiden käyttötarkoituksen mukaisesti.

Jos tarvitset yksityiskohtaisempia tietoja näistä lvarusteista, ota yhteys paikalliseen Makitan huoltoon.

- Pistosahan terä
- Kuusioavain 4
- Halkaisuohjainsarja (Ohjaustulkkinsarja)
- Ohjauksikon sovitinsarja
- Ohjauksikonsarja
- Sälöytymisen estolaite
- Suojalevy
- Pölysuutin
- Eri tyyppisiä Makitan alkuperäisiä akkuja ja lataajia

## Περιγραφή γενικής άποψης

1 Κόκκινο κομμάτι	12 Εξαγωνικό κλειδί	23 Τρύπα ξεκινήματος
2 Κουμπί	13 Πλάκα καλύμματος	24 Προστατευτικό σχισίματος
3 Κασέτα μπαταρίας	14 Συσκευή αποφυγής σκληθρών	25 Προστατευτικός οδηγός
4 Λεβιές αλλαγής τρόπου κοπής	15 Ακροφύσιο σκόνης	26 Κουμπί με σπείρωμα
5 Κουμπί ασφάλισης	16 Σωλήνας για σκούπα απορρόφησης	27 Πείρος κυκλικής οδήγησης
6 Διακόπτης σκανδάλης	17 Γραμμή κοπής	28 Χάρακας
7 Τμήμα ανοίγματος εργαλείου	18 Μπουλόνι	29 Προσαρμοστής οδηγού σιδηροτροχιάς
8 Σφιγκτήρας λάμας	19 Λοξή σχισμή	30 Οδηγός σιδηροτροχιάς
9 Λάμα παλινδρομικού πριονιού	20 Διαβαθμίσεις	31 Βίδα
10 Προεξοχές	21 Εγκοπή	32 Σημάδι ορίου
11 Βάση	22 Περιβλήμα μηχανισμού	33 Καπάκι θήκης ψήκτρας
		34 Κατσαβίδι

## ΤΕΧΝΙΚΑ ΧΑΡΑΚΤΗΡΙΣΤΙΚΑ

Μοντέλο		BJV140	BJV180
Μήκος διαδρομής		26 χιλ.	26 χιλ.
Μεγ. ικανότητα κοπής	Ξύλο	135 χιλ.	135 χιλ.
	Μαλακό ατσάλι	10 χιλ.	10 χιλ.
	Αλουμίνιο	20 χιλ.	20 χιλ.
Διαδρομές ανά λεπτό (min <sup>-1</sup> )		0 – 2 600	0 – 2 600
Ολικό μήκος		255 χιλ.	257 χιλ.
Καθαρό βάρος		2,7 Χγρ	2,8 Χγρ
Καθορισμένο βολτάζ		D.C. 14,4 V	D.C. 18 V

- Λόγω του συνεχιζόμενου προγράμματος έρευνας και ανάπτυξης, οι παρούσες προδιαγραφές υπόκεινται σε αλλαγή χωρίς προειδοποίηση.
- Παρατήρηση: Τα τεχνικά χαρακτηριστικά μπορεί να διαφέρουν από χώρα σε χώρα.

## Προοριζόμενη χρήση

Το εργαλείο προορίζεται για πρίονισμα ξύλου, πλαστικών και μεταλλικών υλικών. Ως αποτέλεσμα του εκτεταμένου προγράμματος εξαρτημάτων και λαμών πριονισμού, το εργαλείο μπορεί να χρησιμοποιηθεί για πολλούς σκοπούς και είναι πολύ κατάλληλο για καμπύλες ή κυκλικές κοπές.

## Υποδείξεις ασφάλειας

Για την προσωπική σας ασφάλεια, ανατρέξτε στις εσωκλειστές οδηγίες ασφάλειας.

## ΕΙΔΙΚΟΙ ΚΑΝΟΝΕΣ ΑΣΦΑΛΕΙΑΣ

**ΜΗΝ επιτρέπετε στη βολικότητα και εξοικείωση με το προϊόν (που αποκτήθηκε με επανειλημμένη χρήση) να αντικαταστήσει την αυστηρή προσήλωση στους κανόνες ασφάλειας του λεπτού πριονιού. Εάν χρησιμοποιείτε το ηλεκτρικό εργαλείο αυτό χωρίς ασφάλεια ή με πλημμελή τρόπο, μπορεί να υποστείτε σοβαρό προσωπικό τραυματισμό.**

1. Κρατάτε τα ηλεκτρικά εργαλεία από τις μονωμένες επιφάνειες κρατήματος όταν εκτελείτε μιά εργασία όπου το κοπτικό εργαλείο μπορεί να κάνει επαφή με κρυμμένα σύρματα ή και με το δικό του κορδόνι. Επαφή με ένα “ηλεκτροφόρο” σύρμα θα κάνει όλα τα εκτεθειμένα μεταλλικά μέρη του εργαλείου “ηλεκτροφόρα” και θα προκληθεί ηλεκτροπληξία στον χειριστή.
2. Χρησιμοποιείτε σφιγκτήρες ή κάποιο άλλο πρακτικό μέσο για να ασφαλίσετε και υποστηρίξετε το τεμαχίο εργασίας σε μιά σταθερή βάση. Το κράτημα του τεμαχίου εργασίας με το χέρι ή με το σώμα το αφήνει ασταθές και μπορεί να οδηγήσει σε απώλεια ελέγχου.
3. Πάντοτε χρησιμοποιείτε γυαλιά ασφάλειας ή ματογυαλιά. Τα συνήθη γυαλιά ή γυαλιά ηλίου δεν είναι γυαλιά ασφάλειας.
4. Αποφύγετε την κοπή καρφιών. Εξετάστε το αντικείμενο εργασίας για τυχόν καρφιά και αφαιρέστε τα πριν την λειτουργία κοπής.
5. Μη κόβετε υπερμεγέθη αντικείμενα.
6. Ελέγξτε για αρκετή απόσταση πέραν του αντικειμένου εργασίας πριν την κοπή ώστε η λάμα να μη χτυπήσει το πάτωμα, το πάγκο εργασίας, κλπ.
7. Κρατάτε το μηχανήμα σταθερά.
8. Βεβαιωθείτε ότι η λάμα δεν αγγίζει το αντικείμενο εργασίας πριν ανάψετε το διακόπτη.



9. Κρατάτε τα χέρια σας μακριά από τα περιστρεφόμενα μέρη.
10. Μην αφήνετε το μηχάνημα αναμμένο. Βάζετε σε λειτουργία το μηχάνημα μόνο όταν το κρατάτε στα χέρια.
11. Πάντοτε σβήνετε το μηχάνημα και περιμένετε τη λάμα από το αντικείμενο εργασίας.
12. Μην αγγίζετε την αιχμή ή το αντικείμενο εργασίας αμέσως μετά τη λειτουργία, γιατί μπορεί να είναι εξαιρετικά θερμά και να σας προκαλέσουν εγκαύματα.
13. Μη λειτουργείτε το εργαλείο χωρίς - φορτίο όταν δεν είναι απαραίτητο.
14. Μερικά υλικά περιέχουν χημικά που μπορεί να είναι τοξικά. Προσέχετε να αποφύγετε εισπνοή σκόνης και δερματική επαφή. Ακολουθείτε τα δεδομένα ασφάλειας του προμηθευτή υλικών.
15. Πάντοτε χρησιμοποιείτε τη σωστή προσώπιδα/ αναπνευστήρα σε σχέση με το υλικό και την εφαρμογή στην οποία εργάζεστε.

### ΦΥΛΑΞΤΕ ΑΥΤΕΣ ΤΙΣ ΟΔΗΓΙΕΣ.

#### ΠΡΟΕΙΔΟΠΟΙΗΣΗ:

ΚΑΚΗ ΧΡΗΣΗ ή αμέλεια να ακολουθήσετε τους κανόνες ασφάλειας που διατυπώνονται σ' αυτό το εγχειρίδιο οδηγίων μπορεί να προκαλέσει σοβαρό προσωπικό τραυματισμό.

### ΣΗΜΑΝΤΙΚΕΣ ΟΔΗΓΙΕΣ ΑΣΦΑΛΕΙΑΣ ΓΙΑ ΚΑΣΕΤΑ ΜΠΑΤΑΡΙΑΣ

1. Πριν χρησιμοποιήσετε την κασέτα μπαταρίας, διαβάστε όλες τις οδηγίες και σημειώσεις προφύλαξης (1) στον φορτιστή μπαταρίας, (2) στην μπαταρία και (3) στο προϊόν που χρησιμοποιεί την μπαταρία.
2. Μην αποσυρμολογήσετε την κασέτα μπαταρίας.
3. Εάν ο χρόνος λειτουργίας έχει γίνει υπερβολικά βραχύς, σταματήστε την λειτουργία αμέσως. Αλλιώς, μπορεί να έχει ως αποτέλεσμα κίνδυνο υπερθέρμανσης, πιθανά εγκαύματα ή ακόμη και έκρηξη.
4. Εάν ηλεκτρολύτης μπει στα μάτια σας, ξεπλύνετέ τα με καθαρό νερό και ζητήστε ιατρική φροντίδα αμέσως. Αλλιώς, μπορεί να έχει ως αποτέλεσμα απώλεια της όρασης σας.
5. Μην βραχυκυκλώνετε την κασέτα μπαταρίας:
  - (1) Μην αγγίζετε τους πόλους με οτιδήποτε αγώγιμο υλικό.
  - (2) Αποφύγετε να αποθηκεύετε την κασέτα μπαταρίας μέσα σε ένα δοχείο μαζί με άλλα μεταλλικά αντικείμενα όπως καρφιά, νομίσματα, κλπ.
  - (3) Μην εκθέτε την κασέτα μπαταρίας στο νερό ή στη βροχή.
 Ένα βραχυκύκλωμα μπαταρίας μπορεί να προκαλέσει μεγάλη ροή ρεύματος, υπερθέρμανση, πιθανά εγκαύματα ακόμη και σοβαρή βλάβη.
6. Μην αποθηκεύετε το εργαλείο και την κασέτα μπαταρίας σε τοποθεσίες όπου η θερμοκρασία μπορεί να φτάσει ή να ξεπεράσει τους 50°C.

7. Μη καίτε την κασέτα μπαταρίας ακόμη και εάν έχει σοβαρή ζημιά ή είναι εντελώς φθαρμένη. Η κασέτα μπαταρίας μπορεί να εκραγεί στην φωτιά.
8. Προσέχετε να μη ριζέτε κάτω ή χτυπήσετε την μπαταρία.

### ΦΥΛΑΞΤΕ ΤΙΣ ΟΔΗΓΙΕΣ ΑΥΤΕΣ.

#### Συμβουλές για διατήρηση μέγιστης ζωής μπαταρίας

1. Φορτίζετε την κασέτα μπαταρίας πριν από την πλήρη αποφόρτιση της. Πάντοτε σταματάτε την λειτουργία του εργαλείου και φορτίζετε την κασέτα μπαταρίας όταν παρατηρείτε μειωμένη ισχύ εργαλείου.
2. Ποτέ μην επαναφορτίζετε μία πλήρως φορτισμένη κασέτα μπαταρίας. Υπερφόρτιση μειώνει την ωφέλιμη ζωή της μπαταρίας.
3. Φορτίζετε την κασέτα μπαταρίας σε θερμοκρασία δωματίου 10°C – 40°C. Αφήστε μία θερμή κασέτα μπαταρίας να κρυώσει πριν την φορτίσετε.

### ΛΕΙΤΟΥΡΓΙΚΗ ΠΕΡΙΓΡΑΦΗ

#### ΠΡΟΣΟΧΗ:

- Πάντοτε βεβαιώνετε ότι το εργαλείο είναι σβηστό και η κασέτα μπαταρίας έχει αφαιρεθεί πριν ρυθμίσετε ή ελέγξετε κάποια λειτουργία στο εργαλείο.

#### Τοποθέτηση ή αφαίρεση της κασέτας μπαταρίας (Εικ. 1)

- Πάντοτε σβήνετε το εργαλείο πριν βάλετε ή βγάλετε την κασέτα μπαταρίας.
- Για να αφαιρέσετε την κασέτα μπαταρίας, βγάλτε την από το εργαλείο ενώ στέρετε το κουμπί στο εμπρόσθιο μέρος της κασέτας.
- Για να τοποθετήσετε την κασέτα μπαταρίας, ευθυγραμμίστε την γλώσσα στην κασέτα μπαταρίας με την αυλακία στην υποδοχή και τοποθετήστε την. Πάντοτε να την βάζετε πλήρως μέχρι να κλειδώσει, γεγονός που υποδηλώνεται με ένα χαρακτηριστικό ήχο. Εάν μπορείτε να δείτε το κόκκινο κομμάτι στην επάνω πλευρά του πλήκτρου, δεν έχει κλειδώσει ολοκληρωτικά. Βάλτε την πλήρως έτσι ώστε να μην φαίνεται. Σε αντίθετη περίπτωση, ίσως πέσει κατά λάθος από το μηχάνημα, τραυματίζοντας εσάς ή κάποιον τρίτο ως σας.
- Μη χρησιμοποιείτε δύναμη όταν εισάγετε την κασέτα μπαταρίας. Εάν η κασέτα δεν γλιστράει μέσα εύκολα, δεν εισάγεται με τον σωστό τρόπο.

## Επιλογή τρόπου κοπής (Εικ. 2)

Αυτό το μηχάνημα μπορεί να λειτουργήσει σε κίνηση κοπής περιστροφική ή ευθεία γραμμή (επάνω και κάτω). Η περιστροφική κίνηση κοπής ωθεί την λάμα προς τα εμπρός στην γραμμή κοπής και προοδευτικώς αυξάνει την ταχύτητα κοπής.

Για να αλλάξετε τον τρόπο κοπής, απλά γυρίστε τον λεβιέ αλλαγής τρόπου κοπής στην επιθυμητή θέση τρόπου κοπής. Αναφερθείτε στον παρακάτω πίνακα για να επιλέξετε τον τρόπο κοπής.

Θέση	Κίνηση κοπής	Εφαρμογές
0	Κίνηση κοπής ευθεία γραμμή	Για κοπή μαλακού χάλυβα, ανοξείδωτου χάλυβα και πλαστικών. Για καθαρές κοπές σε ξύλο και καπλαμά.
I	Κίνηση κοπής μικρή περιστροφική	Για κοπή μαλακού χάλυβα, αλουμινίου και σκληρού ξύλου.
II	Κίνηση κοπής μέτρια περιστροφική	Για κοπή ξύλου και καπλαμά. Για γρήγορη κοπή αλουμινίου και μαλακού χάλυβα.
III	Κίνηση κοπής μεγάλη περιστροφική	Κίνηση κοπής μεγάλη περιστροφική Για γρήγορη κοπή ξύλου και καπλαμά.

## Λειτουργία διακόπτη (Εικ. 3 και 4)

ΠΡΟΣΟΧΗ:

- Πριν συνδέσετε το μηχάνημα στο ρεύμα, πάντοτε να ελέγχετε να δείτε ότι ο διακόπτης σκανδάλης ενεργοποιείτε κανονικά και επιστρέφει στη θέση "OFF" όταν ελευθερώνεται.
- Όταν το εργαλείο δεν βρίσκεται σε λειτουργία, πιέστε το κουμπί ασφάλισης από την πλευρά "Α" για να κλειδώσετε τη σκανδάλη-διακόπτη στη θέση OFF.

Για να μην πιέσετε τη σκανδάλη-διακόπτη κατά λάθος, παρέχεται ένα κουμπί ασφάλισης.

Για να ξεκινήσετε τη λειτουργία του εργαλείου, πιέστε το κουμπί ασφάλισης από την πλευρά Β και πιέστε τη σκανδάλη-διακόπτη.

Αν αυξήσετε την πίεση στη σκανδάλη-διακόπτη, αυξάνεται η ταχύτητα του εργαλείου. Για να σταματήσετε το εργαλείο, αφήστε τη σκανδάλη-διακόπτη. Μετά τη χρήση, να πιέζετε πάντοτε προς τα μέσα το κουμπί ασφάλισης από την πλευρά Α.

## Αναμμα των λαμπών

ΠΡΟΣΟΧΗ:

- Μη κυττάτε το φως ούτε να βλέπετε την πηγή φωτός απευθείας.

Για να ανάψετε τη λάμπα, τραβήξτε τη σκανδάλη. Ελευθερώστε τη σκανδάλη για να τη σβήσετε.

ΣΗΜΕΙΩΣΗ:

- Χρησιμοποιείτε ένα στεγνό ύφασμα για να σκουπίζετε τους ρύπους από το φακό της λάμπας. Προσέχετε να μη γρατσουνίσετε το φακό της λάμπας, διαφορετικά θα μειωθεί ο φωτισμός.

## ΣΥΝΑΡΜΟΛΟΓΗΣΗ

ΠΡΟΣΟΧΗ:

- Πάντοτε βεβαιώνετε ότι το εργαλείο είναι σβηστό και η κασέτα μπαταρίας έχει αφαιρεθεί πριν εκτελέσετε κάποια εργασία στο εργαλείο.

## Τοποθέτηση ή αφαίρεση λαμών πριονιού

ΠΡΟΣΟΧΗ:

- Πάντοτε καθαρίστε όλα τα προσκολλημένα στη λάμα ή στο στηρίγματος της λάμας πριονίδια ή ξένα υλικά. Εάν δεν γίνει αυτό, μπορεί να γίνει αιτία για ανεπαρκές σφίξιμο της λάμας και να καταλήξει σε σοβαρό τραυματισμό.
- Μην αγγίξετε την λάμα ή το αντικείμενο εργασίας αμέσως μετά την λειτουργία, γιατί μπορεί να είναι εξαιρετικά θερμά και να σας προκαλέσουν εγκαύματα.
- Σφίξτε τη λάμα πριονιού σταθερά. Διαφορετικά μπορεί να προκληθεί σοβαρός τραυματισμός.
- Όταν αφαιρείτε την λάμα πριονιού, προσέχετε να μη τραυματίσετε τα δάκτυλά σας με την κορυφή της λάμας ή τις άκρες των αντικειμένων εργασίας.

Για τοποθέτηση την λάμα, ανοίξτε το τμήμα ανοίγματος του εργαλείου στη θέση που δείχνει η εικόνα. (Εικ. 5)

Κρατώντας το στη θέση αυτή, βάλτε την λάμα πριονιού μέσα στον σφιγκτήρα λάμας μέχρι να μην φαίνονται οι δύο προεξοχές της λάμας. (Εικ. 6)  
Επαναφέρετε το τμήμα ανοίγματος στην αρχική του θέση. Μετά την τοποθέτηση της λάμας πριονιού, πάντοτε βεβαιώνετε ότι η λάμα κρατιέται σταθερά στη θέση της επιχειρώντας να την τραβήξετε έξω.

ΠΡΟΣΟΧΗ:

- Μην ανοίγετε το τμήμα ανοίγματος υπερβολικά γιατί μπορεί να προκληθεί ζημιά στο εργαλείο.

Για αφαίρεση την λάμα, ανοίξτε το τμήμα ανοίγματος του εργαλείου στη θέση που δείχνει η εικόνα. (Εικ. 7) Τραβήξτε την λάμα πριονιού έξω προς το μέρος της βάσης.

ΣΗΜΕΙΩΣΗ:

- Περιστασιακά λιπαίνετε τον κύλινδρο.

## Αποθήκευση εξαγωνικού άλεν (Εικ. 8)

Όταν δεν χρησιμοποιείτε το εξαγωνικό άλεν, αποθηκεύστε το, όπως απεικονίζεται, για να μην το χάσετε.

## Πλάκα καλύμματος (Εικ. 9)

Χρησιμοποιήστε την πλάκα καλύμματος όταν κόβετε διακοσμητικούς καπλαμάδες, πλαστικά, κλπ. Προστατεύει τις ευαίσθητες ή λεπτές επιφάνειες από ζημιά. Προσαρμόστε την στο πίσω μέρος της βάσης του εργαλείου.

## Συσκευή αποφυγής σκληθρών (Εικ. 10)

Για κοπές χωρίς σκληθρες μπορεί να χρησιμοποιηθεί η συσκευή αποφυγής σκληθρών. Για να εγκαταστήσετε την συσκευή αποφυγής σκληθρών μετακινήστε την βάση του εργαλείου όσο πάει εμπρός και προσαρμόστε την από το πίσω μέρος της βάσης του εργαλείου. Όταν χρησιμοποιείτε την πλάκα καλύμματος, τοποθετείτε την συσκευή αποφυγής σκληθρών επάνω στη πλάκα καλύμματος.

ΠΡΟΣΟΧΗ:

- Η συσκευή αποφυγής σκληθρών δεν μπορεί να χρησιμοποιηθεί όταν κάνετε λοξοτομές.

## Εξαγωγή σκόνης

Το ακροφύσιο σκόνης (προαιρετικό εξάρτημα) συνιστάται για εκτέλεση καθαρών εργασιών κοπής. (Εικ. 11)

Για να προσαρμόσετε το ακροφύσιο σκόνης στο εργαλείο, βάλτε το άγκιστρο του ακροφυσίου σκόνης μέσα στην τρύπα στη βάση.

Το ακροφύσιο σκόνης μπορεί να τοποθετηθεί είτε στην αριστερή είτε στην δεξιά πλευρά της βάσης. (Εικ. 12)

Κατόπιν συνδέστε μία σκούπα απορρόφησης Μάκιτα στο ακροφύσιο σκόνης. (Εικ. 13)

## ΛΕΙΤΟΥΡΓΙΑ

ΠΡΟΣΟΧΗ:

- Πάντοτε κρατάτε τη βάση του μηχανήματος ευθυγραμμισμένη με το κατεργαζόμενο κομμάτι. Εάν το παραλείψετε, μπορεί να προκληθεί θραύση της λάμας, με αποτέλεσμα σοβαρό τραυματισμό. (Εικ. 14)

Ενεργοποιήστε το εργαλείο χωρίς να έρχεται σε επαφή η λάμα και περιμένετε έως ότου η λάμα αποκτήσει την πλήρη ταχύτητά της. Μετά, ακουμπήστε το μηχανήμα ομοιόμορφα στο κατεργαζόμενο κομμάτι και κινήστε απαλά το μηχανήμα προς τα εμπρός κατά μήκος της γραμμής κοπής που έχει σημαδευτεί από πριν.

ΣΗΜΕΙΩΣΗ:

- Εάν το εργαλείο χρησιμοποιείται συνεχώς μέχρι που η κασέτα μπαταρίας έχει εκφορτιστεί, αφήστε το εργαλείο να αναπαυθεί για 15 λεπτά πριν προχωρήσετε με μία νέα μπαταρία.

Όταν κόβετε καμπύλες, προχωρήστε το μηχανήμα πολύ αργά.

## Λοξότμηση (Εικ. 15)

ΠΡΟΣΟΧΗ:

- Να βεβαιώνετε πάντοτε ότι έχετε σβήσει το εργαλείο και έχετε βγάλει την μπαταρία πριν δώσετε κλίση στη βάση.

Δίνοντας κλίση στην βάση του εργαλείου, μπορείτε να κάνετε λοξοτομές σε οποιαδήποτε γωνία μεταξύ 0° και 45° (αριστερά ή δεξιά).

Χαλαρώστε το μπουλόνι στο πίσω μέρος της βάσης με το εξαγωνικό κλειδί. Μετακινήστε τη βάση έτσι ώστε το μπουλόνι να είναι τοποθετημένο στο κέντρο της λοξής σχισμής στη βάση. (Εικ. 16)

Δώστε κλίση στη βάση μέχρι να επιτύχετε την επιθυμητή λοξή γωνία.

Η εγκοπή V στο περίβλημα της μηχανής δείχνει την λοξή γωνία με διαβαθμίσεις. Μετά σφίχτε το μπουλόνι σταθερά για να ασφαλίσετε την βάση. (Εικ. 17)

## Εμπρόσθιες ευθυγραμμισμένες κοπές

Χαλαρώστε το μπουλόνι στο πίσω μέρος της βάσης με το εξαγωνικό κλειδί και ολισθήστε τη βάση τέρμα πίσω. Μετά σφίξτε το μπουλόνι για να στερεώσετε τη βάση του μηχανήματος. (Εικ. 18)

## Αποκοπή

Αποκοπές μπορούν να γίνουν με τη μια ή με την άλλη από τις μεθόδους, Α ή Β.

### Α) Με άνοιγμα τρύπας εκκίνησης (Εικ. 19):

Για εσωτερικές αποκοπές χωρίς αρχικό κόψιμο από μια άκρη, προ-τρυπήστε μια τρύπα εκκίνησης 12 χιλ. ή περισσότερο. Εισάγετε τη λάμα μέσα σε αυτή την τρύπα και ξεκινήστε τη κοπή σας.

### Β) Κοπές βύθισης (Εικ. 20):

Δε χρειάζεται να ανοίξετε τρύπα εκκίνησης ή να κάνετε μια αρχική κοπή εάν προσεχτικά κάνετε όπως ακολούθως.

1. Δώστε κλίση στο μηχανήμα προς τα επάνω, σε σχέση με την μπροστινή μεριά της βάσης, με τη λάμα τοποθετημένη λίγο πάνω από την επιφάνεια του κατεργαζόμενου κομματιού.
2. Εφαρμόστε πίεση στο μηχανήμα, έτσι ώστε η μπροστινή μεριά της βάσης να μην μετακινηθεί όταν ανάψετε το μηχανήμα και μαλακά χαμηλώσετε σιγά-σιγά το πίσω μέρος της βάσης του μηχανήματος.
3. Καθώς η λάμα διαπερνά το κατεργαζόμενο κομμάτι, σιγά-σιγά χαμηλώστε τη βάση του μηχανήματος κάτω προς την επιφάνεια του κατεργαζόμενου κομματιού.
4. Ολοκληρώστε την κοπή με τον κανονικό τρόπο.

## Τελειώματα γωνιών (Εικ. 21)

Για να καθαρίσετε τις γωνίες ή να κάνετε ρυθμίσεις στις διαστάσεις, κάντε ένα πέρασμα με τη λάμα κατά μήκος των κοιμένων πλευρών.

## Κοπή μετάλλων

Πάντοτε χρησιμοποιείτε ένα κατάλληλο ψυκτικό (έλαιο κοπής) όταν κόβετε μέταλλα. Εάν δεν το κάνετε αυτό θα προκληθεί σημαντική φθορά στη λάμα. Η κάτω πλευρά του κατεργαζόμενου κομματιού μπορεί να λιπανθεί αντί να χρησιμοποιηθεί ψυκτικό.

## Προστατευτικό σύνολο σχισίματος (προαιρετικό εξάρτημα)

### ΠΡΟΣΟΧΗ:

- Να βεβαιώνετε πάντοτε ότι έχετε σβήσει το εργαλείο και έχετε βγάλει την μπαταρία πριν τοποθετήσετε ή αφαιρέσετε αξεσουάρ.

#### 1) Ευθείες κοπές (Εικ. 22 και 23)

Όταν κόβετε επαναλαμβανόμενα πλάτη 160 χιλ. ή λιγότερο, χρησιμοποίηση του προστατευτικού σχισίματος εξασφαλίζει γρήγορη, καθαρή και ευθεία κοπή. Για να τον τοποθετήσετε, βάλτε το προστατευτικό σχισίματος μέσα στην ορθογώνια τρύπα στην πλευρά της βάσης του μηχανήματος με τον προστατευτικό οδηγό να κοιτάει προς τα κάτω. Γλιστρίστε το προστατευτικό σχισίματος στη θέση του επιθυμητού πλάτος κοπής, και μετά σφίξτε τα μπουλόνια για να το στερεώσετε.

#### 2) Κυκλικές κοπές (Εικ. 24 και 25)

Όταν κόβετε κύκλους ή τόξα ακτίνας 170 χιλ. ή λιγότερο, τοποθετήστε το προστατευτικό σχισίματος όπως ακολούθως. Βάλτε το προστατευτικό σχισίματος μέσα στην ορθογώνια τρύπα στην πλευρά της βάσης του μηχανήματος με τον προστατευτικό οδηγό να κοιτάει προς τα πάνω. Βάλτε τον πείρο κυκλικής οδήγησης να περάσει και από τις δύο τρύπες του προστατευτικού οδηγού. Βιδώστε το κουμπί με το σπείρωμα πάνω στο πείρο για να στερεώσετε τον πείρο. Μετά, γλιστρίστε το προστατευτικό σχισίματος στην επιθυμητή ακτίνα κοπής, και σφίξτε το μπουλόνι για να τον στερεώσετε στη θέση του. Μετά μετακινήστε τη βάση του μηχανήματος όσο πάει μπροστά.

### ΣΗΜΕΙΩΣΗ:

Πάντα χρησιμοποιείτε λάμες No. B-17, B-18, B-26 ή B-27 όταν κόβεται κύκλους ή τόξα.

## Σύνολο προσαρμοστή οδηγού σιδηροτροχιάς (εξάρτημα) (Εικ. 26)

Όταν εκτελείτε κοπή παράλληλη και ομοιόμορφο πλάτους ή ίσια κοπή, η χρήση του οδηγού σιδηροτροχιάς και του προσαρμοστή οδηγού σιδηροτροχιάς θα εξασφαλίσει την παραγωγή γρήγορων και καθαρών κοπών.

Για να εγκαταστήσετε τον προσαρμοστή οδηγού σιδηροτροχιάς, βάλτε τον χάρακα μέσα στην τετράγωνη τρύπα της βάσης όσο βαθειά μπορεί να πάει. Ασφαλίστε το μπουλόνι με το εξαγώνο κλειδί καλά. (Εικ. 27)

Εγκαταστήστε τον προσαρμοστή οδηγού σιδηροτροχιάς στην σιδηροτροχιά του οδηγού σιδηροτροχιάς. Βάλτε τον χάρακα μέσα στην τετράγωνη τρύπα του προσαρμοστή οδηγού σιδηροτροχιάς. Βάλτε την βάση στην πλευρά του οδηγού σιδηροτροχιάς και ασφαλίστε το μπουλόνι καλά. (Εικ. 28)

### ΠΡΟΣΟΧΗ:

- Πάντοτε χρησιμοποιείτε τις λάμες Αρ. B-8, B-13, B-16, B-17 ή 58 όταν χρησιμοποιείτε τον οδηγό σιδηροτροχιάς και τον προσαρμοστή οδηγού σιδηροτροχιάς.

## ΣΥΝΤΗΡΗΣΗ

### ΠΡΟΣΟΧΗ:

- Πάντοτε βεβαιώνετε ότι το εργαλείο είναι σβηστό και η κασέτα μπαταρίας έχει αφαιρεθεί πριν επιχειρήσετε να κάνετε έλεγχο ή συντήρηση.

## Αντικατάσταση ψηκτρών άνθρακα (Εικ. 29 και 30)

Αφαιρείτε και ελέγχετε τις ψήκτρες άνθρακα τακτικά. Αντικαθιστάτε τις όταν φθαρούν μέχρι το σημάδι ορίου. Κρατάτε τις ψήκτρες άνθρακα καθαρές και ελεύθερες να γλιστρούν στις θήκες. Και οι δύο ψήκτρες άνθρακα πρέπει να αντικαθίστανται ταυτόχρονα. Χρησιμοποιείτε μόνο ταυτόσημες ψήκτρες άνθρακα.

Χρησιμοποιείτε ένα κατσαβίδι για να αφαιρέσετε τα καπάκια των θηκών των ψηκτρών. Αφαιρέστε τις φθαρμένες ψήκτρες, βάλτε τις νέες και ασφαλίστε τα καπάκια των θηκών των ψηκτρών.

Για την διατήρηση της ΑΣΦΑΛΕΙΑΣ και ΑΞΙΟΠΙΣΤΙΑΣ του προϊόντος, επισκευές, οποιαδήποτε άλλη συντήρηση ή ρύθμιση πρέπει να εκτελούνται από τα Εξουσιοδοτημένα Κέντρα Εξυπηρέτησης της Μάκιτα, με χρήση πάντοτε ανταλλακτικών Μάκιτα.

## ΑΝΤΑΛΛΑΚΤΙΚΑ

### ΠΡΟΣΟΧΗ:

- Αυτά τα ανταλλακτικά ή προσαρτήματα συνιστώνται για χρήση με το εργαλείο σας της Μάκιτα που περιγράφεται στο εγχειρίδιο αυτό. Η χρήση οτιδήποτε άλλων ανταλλακτικών ή προσαρτημάτων μπορεί να παρουσιάσουν κίνδυνο τραυματισμού σε άτομα.

Εάν χρειάζεστε βοήθεια ή περισσότερες λεπτομέρειες σε σχέση με αυτά τα ανταλλακτικά, ρωτήστε το τοπικό σας κέντρο εξυπηρέτησης της Μάκιτα.

- Λάμα παλινδρομικού πριονιού
- Εξαγωνικό κλειδί 4
- Προστατευτικό σύνολο σχισίματος (Κανόνας οδηγός)
- Σύνολο προσαρμοστή οδηγού σιδηροτροχιάς
- Σύνολο οδηγού σιδηροτροχιάς
- Συσκευή αποφυγής σκληθρών
- Πλάκα καλύμματος
- Ακροφύσιο σκόνης
- Διάφοροι τύποι αυθεντικών μπαταριών και φορτιστών Μάκιτα

**ENGLISH****Model; BJV140, BJV180****EC-DECLARATION OF CONFORMITY**

We declare under our sole responsibility that this product is in compliance with the following standards of standardized documents,

EN60745, EN55014

in accordance with Council Directives, 2004/108/EC and 98/37/EC.

**ITALIANO****Modello; BJV140, BJV180****DICHIARAZIONE DI CONFORMITÀ  
CON LE NORME DELLA COMUNITÀ EUROPEA**

Dichiariamo sotto la nostra sola responsabilità che questo prodotto è conforme agli standard di documenti standardizzati seguenti:

EN60745, EN55014

secondo le direttive del Consiglio 2004/108/CE e 98/37/CE.

**FRANÇAISE****Modèle ; BJV140, BJV180****DÉCLARATION DE CONFORMITÉ CE**

Nous déclarons sous notre entière responsabilité que ce produit est conforme aux normes des documents standardisés suivants,

EN60745, EN55014

conformément aux Directives du Conseil, 2004/108/EG et 98/37/EG.

**NEDERLANDS****Model; BJV140, BJV180****EG-VERKLARING VAN CONFORMITEIT**

Wij verklaren hierbij uitsluitend op eigen verantwoordelijkheid dat dit produkt voldoet aan de volgende normen van genormaliseerde documenten,

EN60745, EN55014

in overeenstemming met de richtlijnen van de Raad 2004/108/EC en 98/37/EC.

**DEUTSCH****Modell; BJV140, BJV180****CE-KONFORMITÄTSERKLÄRUNG**

Hiermit erklärt wir unter unserer alleinigen Verantwortung, daß dieses Produkt gemäß den Ratsdirektiven 2004/108/EG und 98/37/EG mit den folgenden Normen von Normendokumenten übereinstimmen:

EN60745, EN55014.

**ESPAÑOL****Modelo; BJV140, BJV180****DECLARACIÓN DE CONFORMIDAD DE LA CE**

Declaramos bajo nuestra sola responsabilidad que este producto cumple con las siguientes normas de documentos normalizados,

EN60745, EN55014

de acuerdo con las directivas comunitarias, 2004/108/CE y 98/37/CE.

*Tomoyasu Kato* **CE 2006**


Director	Amministratore
Directeur	Directeur
Direktor	Director

Responsible manufacturer:  
Fabricant responsable:  
Verantwortlicher Hersteller:

Produttore responsabile:  
Verantwoordelijke fabrikant:  
Fabricante responsable:

**Makita Corporation**

3-11-8, Sumiyoshi-cho, Anjo, Aichi, JAPAN

Authorized Representative in Europe:  
Représentant agréé en Europe :  
Autorisierte Vertretung in Europa:

Rappresentante autorizzato per l'Europa:  
Erkende vertegenwoordiger in Europa:  
Representante autorizado en Europa:

**MAKITA International Europe Ltd.**

Michigan Drive, Tongwell, Milton Keynes, Bucks MK15 8JD, ENGLAND

**PORTUGUÊS****Modelo; BJV140, BJV180****DECLARAÇÃO DE CONFORMIDADE DA CE**

Declaramos sob inteira responsabilidade que este produto obedece às seguintes normas de documentos normalizados,

EN60745, EN55014

de acordo com as directivas 2004/108/CE e 98/37/CE do Conselho.

**DANSK****Mode; BJV140, BJV180****EU-DEKLARATION OM KONFORMITET**

Vi erklærer hermed på eget ansvar, at dette produkt er i overensstemmelse med de følgende standarder i de normsættende dokumenter,

EN60745, EN55014

i overensstemmelse med Rådets Direktiver 2004/108/EC og 98/37/EC.

**SVENSKA****Modell; BJV140, BJV180****EG-DEKLARATION OM ÖVERENSSTÄMMELSE**

Under eget ansvar deklarerar vi härmed att denna produkt överensstämmer med följande standardiseringar för standardiserade dokument,

EN60745, EN55014

i enlighet med EG-direktiven 2004/108/EC och 98/37/EC.

**NORSK****Modell; BJV140, BJV180****EU's SAMSVARS-ERKLÆRING**

Vi erklærer på eget ansvar at dette produktet er i overensstemmelse med følgende standard i de standardiserte dokumenter:

EN60745, EN55014,

i samsvar med Råds-direktivene, 2004/108/EC og 98/37/EC.

**SUOMI****Malli; BJV140, BJV180****VAKUUTUS EC-VASTAAVUDESTA**

Yksinomaisesti vastuullisina ilmoittamme, että tämä tuote on seuraavien standardoitujen dokumenttien standardien mukainen,

EN60745, EN55014

neuvoston direktiivien 2004/108/EC ja 98/37/EC mukaisesti.

**ΕΛΛΗΝΙΚΑ****Μοντέλο; BJV140, BJV180****ΔΗΛΩΣΗ ΣΥΜΜΟΡΦΩΣΗΣ ΕΚ**

Δηλώνουμε υπό την μοναδική μας ευθύνη ότι αυτό το προϊόν βρίσκεται σε Συμφωνία με τα ακόλουθα πρότυπα τυποποιημένων εγγράφων,

EN60745, EN55014

σύμφωνα με τις Οδηγίες του Συμβουλίου, 2004/108/ΚΕ και 98/37/ΚΕ.

*Tomoyasu Kato CE 2006*


Director  
Direktør  
Direktör

Direktor  
Johtaja  
Διευθυντής

Fabricante responsável:  
Ansvarlig fabrikant:  
Ansvarig tillverkare:

**Makita Corporation**

3-11-8, Sumiyoshi-cho, Anjo, Aichi, JAPAN

Ansvarlig produsent:  
Vastaava valmistaja:  
Υπεύθυνος κατασκευαστής:

Representador Autorizado na Europa: Autorisert representant i Europa:  
Autoriseret repræsentant i Europa: Valtuutettu edustaja Euroopassa:

Auktoriserad representant i Europa: Εξουσιοδοτημένος Αντιπρόσωπος στην Ευρώπη:

**MAKITA International Europe Ltd.**

Michigan Drive, Tongwell, Milton Keynes, Bucks MK15 8JD, ENGLAND

**ENGLISH****For Model BJV140****For European countries only****Noise and Vibration**

The typical A-weighted sound pressure level is 79 dB (A).  
Uncertainty is 3 dB (A).

The noise level under working may exceed 85 dB (A).

– Wear ear protection. –

The typical weighted root mean square acceleration value is 6 m/s<sup>2</sup>.

These values have been obtained according to EN60745.

**FRANÇAISE****Pour le modèle BJV140****Pour les pays d'Europe uniquement****Bruit et vibrations**

Le niveau de pression sonore pondérée type A est de 79 dB (A).

L'incertitude de mesure est de 3 dB (A).

Le niveau de bruit en fonctionnement peut dépasser 85 dB (A).

– Porter des protecteurs anti-bruit. –

L'accélération pondérée est de 6 m/s<sup>2</sup>.

Ces valeurs ont été obtenues selon EN60745.

**DEUTSCH****Für Modell BJV140****Nur für europäische Länder****Geräusch- und Vibrationsentwicklung**

Der typische A-bewertete Schalldruckpegel beträgt 79 dB (A).

Die Abweichung beträgt 3 dB (A).

Der Lärmpegel kann während des Betriebs 85 dB (A) überschreiten.

– Gehörschutz tragen. –

Der gewichtete Effektivwert der Beschleunigung beträgt 6 m/s<sup>2</sup>.

Diese Werte wurden gemäß EN60745 erhalten.

**ITALIANO****Per modello BJV140****Modello per l'Europa soltanto****Rumore e vibrazione**

Il livello di pressione sonora pesata secondo la curva A è di 79 dB (A).

L'incertezza è di 3 dB (A).

Il livello di rumore durante il lavoro potrebbe superare gli 85 dB (A).

– Indossare i paraorecchi. –

Il valore quadratico medio di accelerazione è di 6 m/s<sup>2</sup>.

Questi valori sono stati ottenuti in conformità EN60745.

**NEDERLANDS****Voor model BJV140****Alleen voor Europese landen****Geluidsniveau en trilling**

Het typische A-gewogen geluidsdruk-niveau is 79 dB (A).

Onzekerheid is 3 dB (A).

Tijdens het werken kan het geluidsniveau 85 dB (A) overschrijden.

– Draag oorbeschermers. –

De typische gewogen effectieve versnellingswaarde is 6 m/s<sup>2</sup>.

Deze waarden werden verkregen in overeenstemming met EN60745.

**ESPAÑOL****Para el modelo BJV140****Para países europeos solamente****Ruido y vibración**

El nivel de presión sonora ponderada A es de 79 dB (A).

Incerteza 3 dB (A).

El nivel de ruido en condiciones de trabajo puede que sobrepase los 85 dB (A).

– Póngase protectores en los oídos. –

El valor ponderado de la aceleración es de 6 m/s<sup>2</sup>.

Estos valores han sido obtenidos de acuerdo con EN60745.

**PORTUGUÊS****Para o modelo BJV140****Só para países Europeus****Ruído e vibração**

O nível normal de pressão sonora A é 79 dB (A).

A incerteza é de 3 dB (A).

O nível de ruído durante o trabalho pode exceder 85 dB (A).

– Utilize protectores para os ouvidos –

O valor médio da aceleração é  $6 \text{ m/s}^2$ .

Estes valores foram obtidos de acordo com EN60745.

**DANSK****For model BJV140****Kun for lande i Europa****Lyd og vibration**

Det typiske A-vægtede lydtryksniveau er 79 dB (A).

Der er en usikkerhed på 3 dB (A).

Støjniveauet under arbejde kan overstige 85 dB (A).

– Bær høreværn. –

Den vægtede effektive accelerationsværdi er  $6 \text{ m/s}^2$ .

Disse værdier er beregnet i overensstemmelse med EN60745.

**SVENSKA****För modelle BJV140****Endast för Europa****Buller och vibration**

Den typiska-A-vägda ljudtrycksnivån är 79 dB (A).

Osäkerheten är 3 dB (A).

Bullernivån under pågående arbete kan överstiga 85 dB (A).

– Använd hörselskydd –

Det typiskt vägda effektivvärdet för acceleration är  $6 \text{ m/s}^2$ .

Dessa värden har erhållits i enlighet med EN60745.

**NORSK****For modell BJV140****Gjelder bare land i Europa****Støy og vibrasjon**

Det vanlige A-verktet lydtrykksnivå er 79 dB (A).

Usikkerheten er på 3 dB (A).

Under bruk kan støynivået overskride 85 dB (A).

– Benytt hørselvern. –

Den vanlig belastede effektiv-verdi for akselerasjon er  $6 \text{ m/s}^2$ .

Disse verdiene er beregnet eller målt i samsvar med EN60745.

**SUOMI****Mallit BJV140****Vain Euroopan maat****Melutaso ja värinä**

Tyypillinen A-painotettu äänenpainetaso on 79 dB (A).

Epävarmuus on 3 dB (A).

Melutaso työpaikalla saattaa ylittää 85 dB (A).

– Käytä kuulosuojaimia. –

Tyypillinen kiihtyvyyden painotettu tehollisarvo on  $6 \text{ m/s}^2$ .

Nämä arvot on mitattu normin EN60745 mukaisesti.

**ΕΛΛΗΝΙΚΑ****Για τα μοντέλα BJV140****Μόνο για χώρες της Ευρώπης****Θόρυβος και κραδασμός**

Η τυπική A-μετρούμενη ηχητική πίεση είναι 79 dB (A).

Η Αβεβαιότητα είναι 3 dB (A).

Η ένταση ήχου υπο συνθήκες εργασίας μπορεί να υπερβεί τα 85 dB (A).

– Φοράτε ωτοασπίδες. –

Η τυπική αξία της μετρούμενης ρίζας του μέσου τετραγώνου της επιτάχυνσης είναι  $6 \text{ m/s}^2$ .

Αυτές οι τιμές έχουν σημειωθεί σύμφωνα με το EN60745.



**ENGLISH****For Model BJV180****For European countries only****Noise and Vibration**

The typical A-weighted sound pressure level is 81 dB (A).  
Uncertainty is 3 dB (A).

The noise level under working may exceed 85 dB (A).

– Wear ear protection. –

The typical weighted root mean square acceleration value is 5,5 m/s<sup>2</sup>.

These values have been obtained according to EN60745.

**FRANÇAISE****Pour le modèle BJV180****Pour les pays d'Europe uniquement****Bruit et vibrations**

Le niveau de pression sonore pondéré type A est de 81 dB (A).

L'incertitude de mesure est de 3 dB (A).

Le niveau de bruit en fonctionnement peut dépasser 85 dB (A).

– Porter des protecteurs anti-bruit. –

L'accélération pondérée est de 5,5 m/s<sup>2</sup>.

Ces valeurs ont été obtenues selon EN60745.

**DEUTSCH****Für Modell BJV180****Nur für europäische Länder****Geräusch- und Vibrationsentwicklung**

Der typische A-bewertete Schalldruckpegel beträgt 81 dB (A).

Die Abweichung beträgt 3 dB (A).

Der Lärmpegel kann während des Betriebs 85 dB (A) überschreiten.

– Gehörschutz tragen. –

Der gewichtete Effektivwert der Beschleunigung beträgt 5,5 m/s<sup>2</sup>.

Diese Werte wurden gemäß EN60745 erhalten.

**ITALIANO****Per modello BJV180****Modello per l'Europa soltanto****Rumore e vibrazione**

Il livello di pressione sonora pesata secondo la curva A è di 81 dB (A).

L'incertezza è di 3 dB (A).

Il livello di rumore durante il lavoro potrebbe superare gli 85 dB (A).

– Indossare i paraorecchi. –

Il valore quadratico medio di accelerazione è di 5,5 m/s<sup>2</sup>.  
Questi valori sono stati ottenuti in conformità EN60745.

**NEDERLANDS****Voor model BJV180****Alleen voor Europese landen****Geluidsniveau en trilling**

Het typische A-gewogen geluidsdruk-niveau is 81 dB (A).

Onzekerheid is 3 dB (A).

Tijdens het werken kan het geluidsniveau 85 dB (A) overschrijden.

– Draag oorbeschermers. –

De typische gewogen effectieve versnellingswaarde is 5,5 m/s<sup>2</sup>.

Deze waarden werden verkregen in overeenstemming met EN60745.

**ESPAÑOL****Para el modelo BJV180****Para países europeos solamente****Ruido y vibración**

El nivel de presión sonora ponderada A es de 81 dB (A).

Incerteza 3 dB (A).

El nivel de ruido en condiciones de trabajo puede que sobrepase los 85 dB (A).

– Póngase protectores en los oídos. –

El valor ponderado de la aceleración es de 5,5 m/s<sup>2</sup>.

Estos valores han sido obtenidos de acuerdo con EN60745.

**PORTUGUÊS****Para o modelo BJV180****Só para países Europeus****Ruído e vibração**

O nível normal de pressão sonora A é 81 dB (A).

A incerteza é de 3 dB (A).

O nível de ruído durante o trabalho pode exceder 85 dB (A).

– Utilize protectores para os ouvidos –

O valor médio da aceleração é 5,5 m/s<sup>2</sup>.

Estes valores foram obtidos de acordo com EN60745.

**DANSK****For model BJV180****Kun for lande i Europa****Lyd og vibration**

Det typiske A-vægtede lydtryksniveau er 81 dB (A).

Der er en usikkerhed på 3 dB (A).

Støjniveauet under arbejde kan overstige 85 dB (A).

– Bær høreværn. –

Den vægtede effektive accelerationsværdi er 5,5 m/s<sup>2</sup>.

Disse værdier er beregnet i overensstemmelse med EN60745.

**SVENSKA****För modeller BJV180****Endast för Europa****Buller och vibration**

Den typiska A-vägda ljudtrycksnivån är 81 dB (A).

Osäkerheten är 3 dB (A).

Bullernivån under pågående arbete kan överstiga 85 dB (A).

– Använd hörselskydd –

Det typiskt vägda effektivvärdet för acceleration är 5,5 m/s<sup>2</sup>.

Dessa värden har erhållits i enlighet med EN60745.

**NORSK****For modell BJV180****Gjelder bare land i Europa****Støy og vibrasjon**

Det vanlige A-verktet lydtrykksnivå er 81 dB (A).

Usikkerheten er på 3 dB (A).

Under bruk kan støynivået overskride 85 dB (A).

– Benytt hørselvern. –

Den vanlig belastede effektiv-verdi for akselerasjon er 5,5 m/s<sup>2</sup>.

Disse verdiene er beregnet eller målt i samsvar med EN60745.

**SUOMI****Mallit BJV180****Vain Euroopan maat****Melutaso ja tärinä**

Tyypillinen A-painotettu äänenpainetaso on 81 dB (A).

Epävarmuus on 3 dB (A).

Melutaso työpaikalla saattaa ylittää 85 dB (A).

– Käytä kuulussuojaimia. –

Tyypillinen kiihtyvyyden painotettu tehollisarvo on

5,5 m/s<sup>2</sup>.

Nämä arvot on mitattu normin EN60745 mukaisesti.

**ΕΛΛΗΝΙΚΑ****Για τα μοντέλα BJV180****Μόνο για χώρες της Ευρώπης****Θόρυβος και κραδασμός**

Η τυπική A-μετρούμενη ηχητική πίεση είναι 81 dB (A).

Η Αβεβαιότητα είναι 3 dB (A).

Η ένταση ήχου υπο συνθήκες εργασίας μπορεί να υπερβεί τα 85 dB (A).

– Φοράτε ωτοασπίδες. –

Η τυπική αξία της μετρούμενης ρίζας του μέσου τετραγώνου της επιτάχυνσης είναι 5,5 m/s<sup>2</sup>.

Αυτές οι τιμές έχουν σημειωθεί σύμφωνα με το EN60745.



**Makita Corporation**

Anjo, Aichi, Japan

884686-993