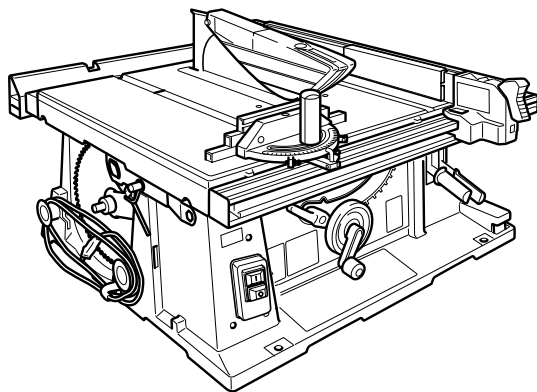
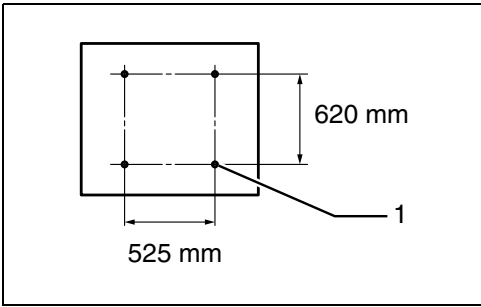




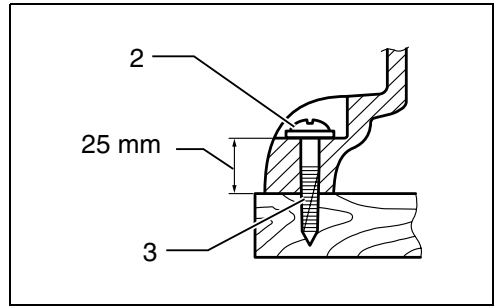
GB	Table Saw	Instruction manual
F	Banc de scie	Manuel d'instructions
D	Tischsäge	Betriebsanleitung
I	Banco sega	Istruzioni per l'uso
NL	Zaagtafel	Gebruiksaanwijzing
E	Sierra de mesa	Manual de instrucciones
P	Serra de mesa	Manual de instruções
DK	Stationær rundsav	Brugsanvisning
GR	Τραπέζι πριονίσματος	Οδηγίες χρήσης

2704

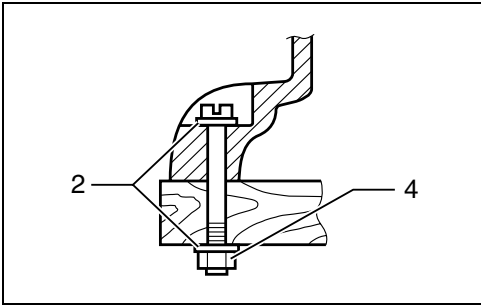




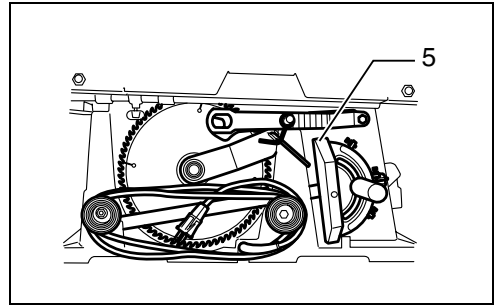
1



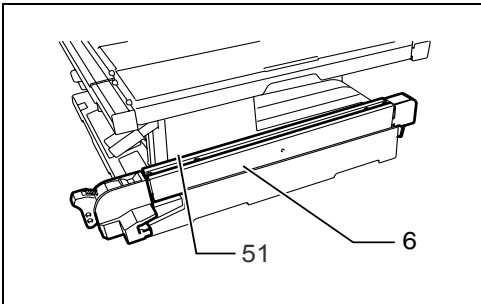
2



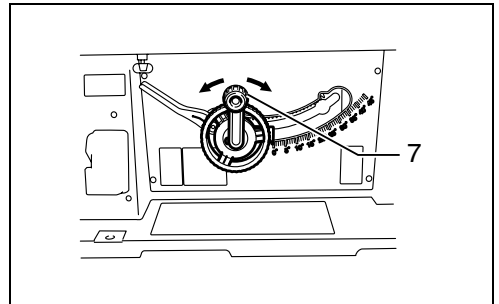
3



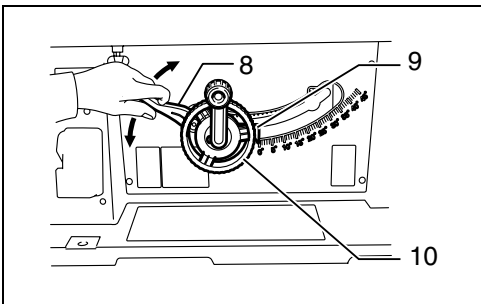
4



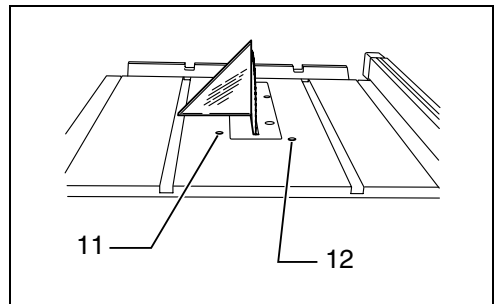
5



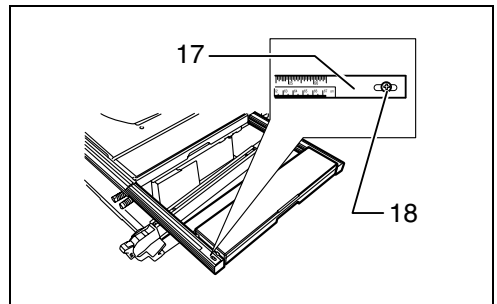
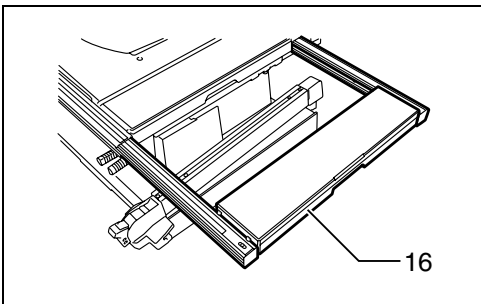
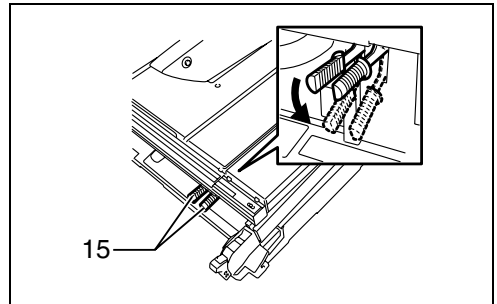
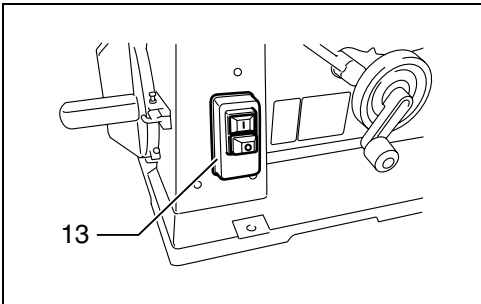
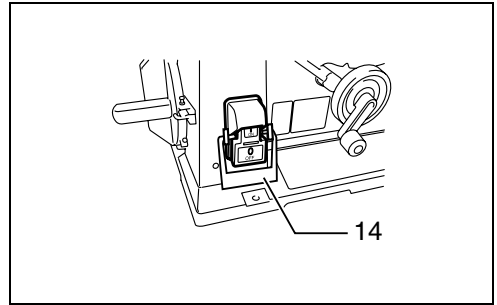
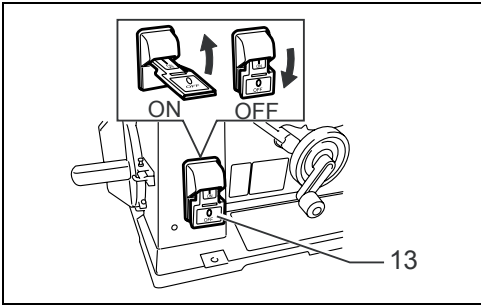
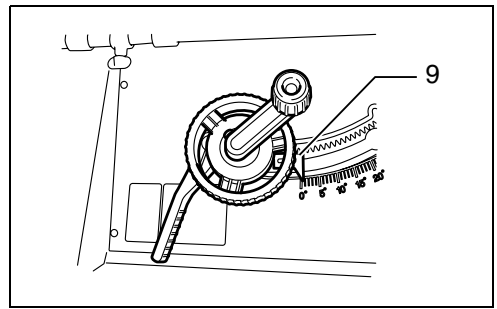
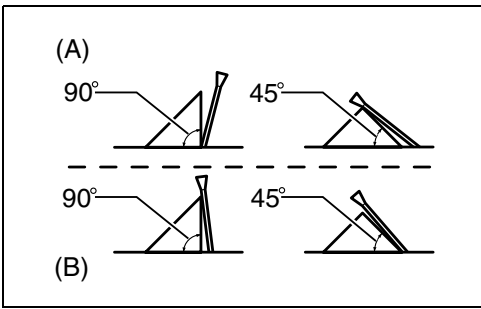
6

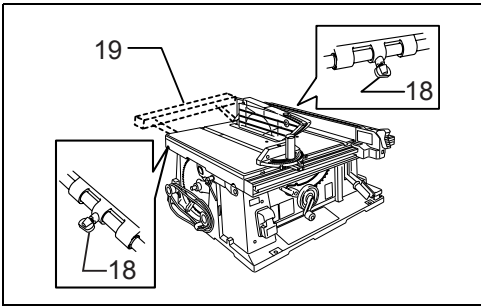


7

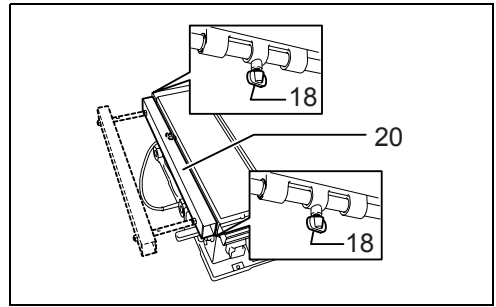


8

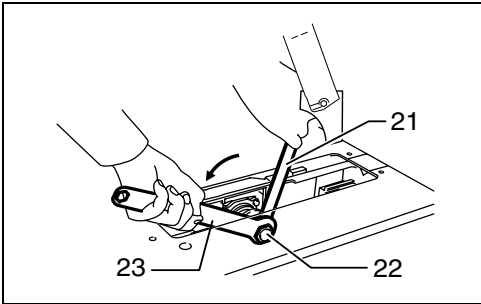




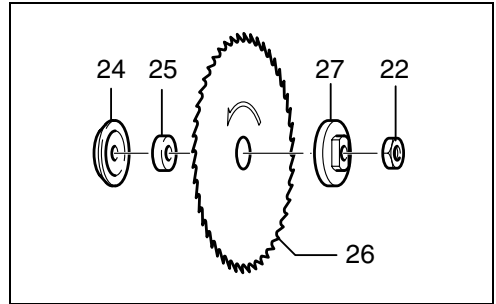
17



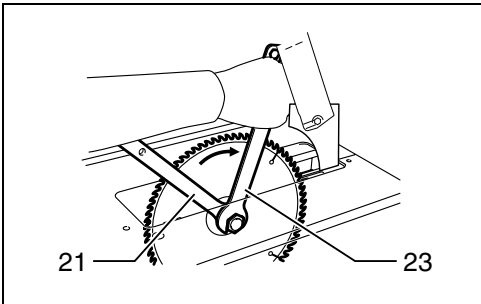
18



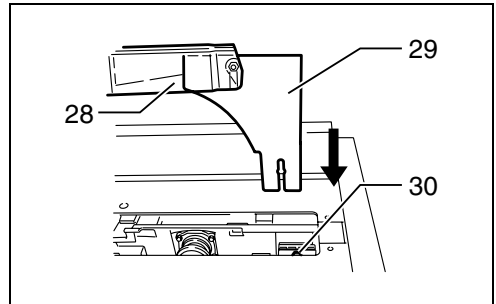
19



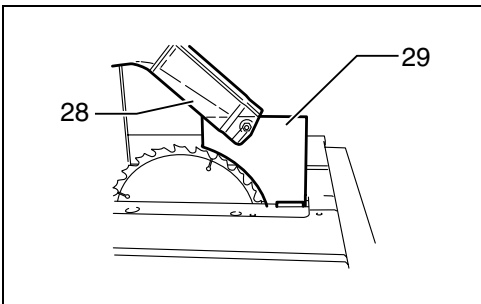
20



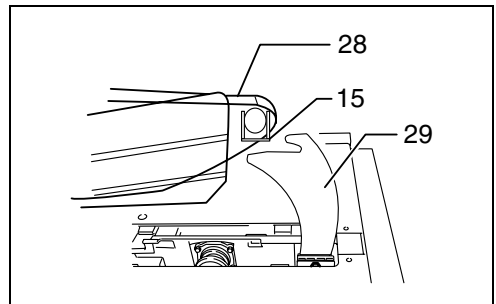
21



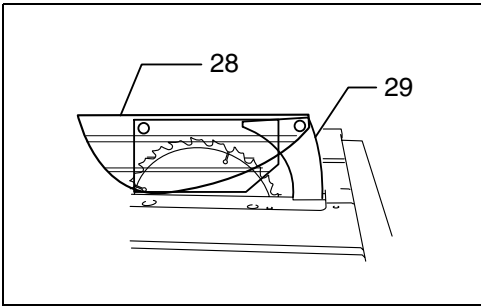
22



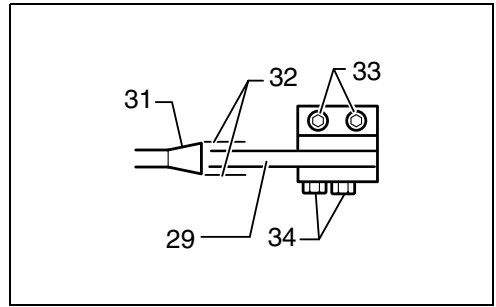
23



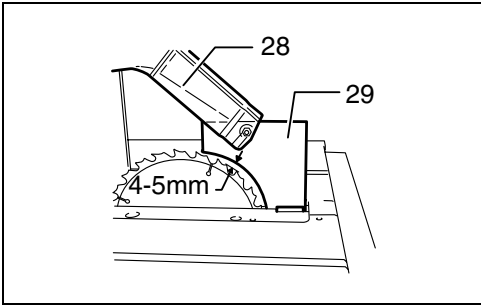
24



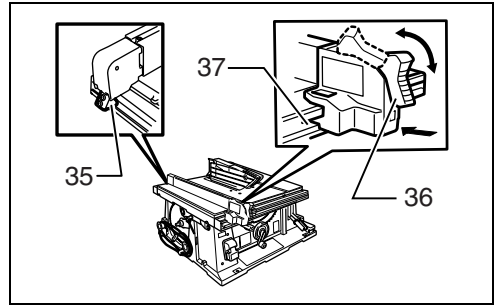
25



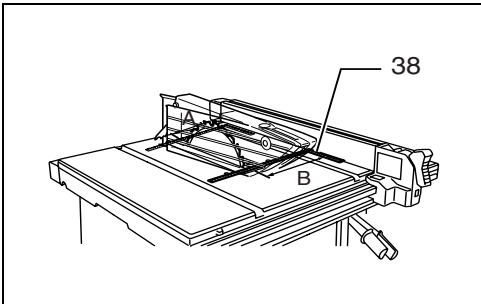
26



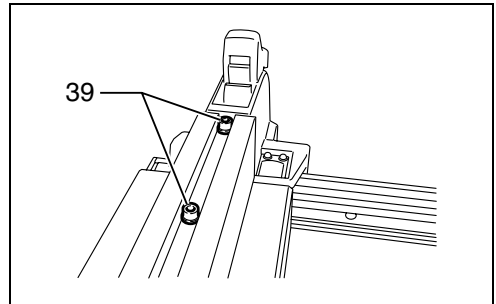
27



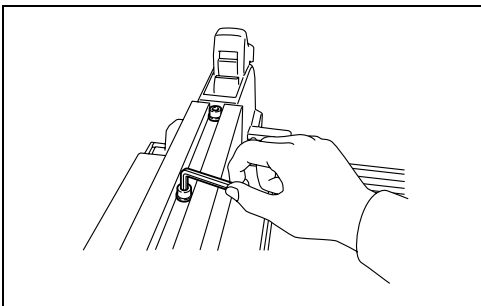
28



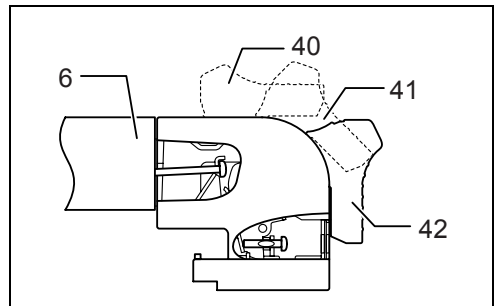
29



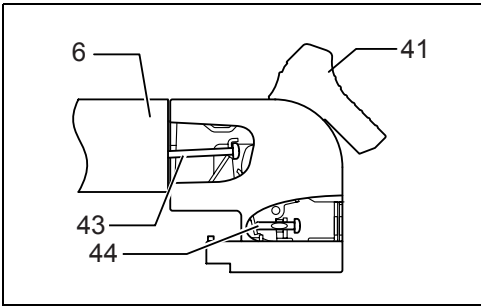
30



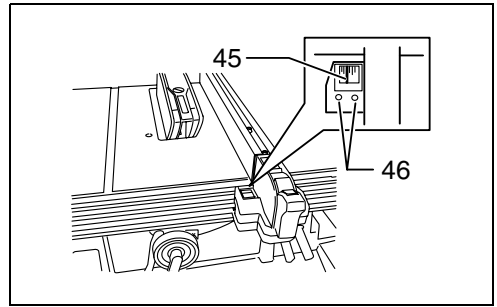
31



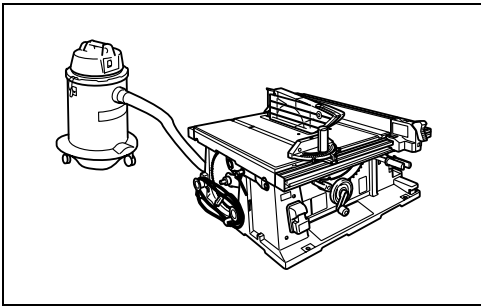
32



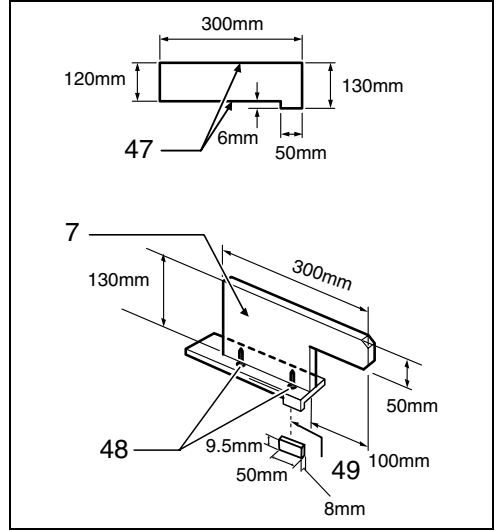
33



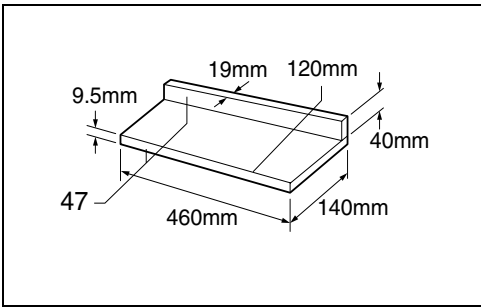
34



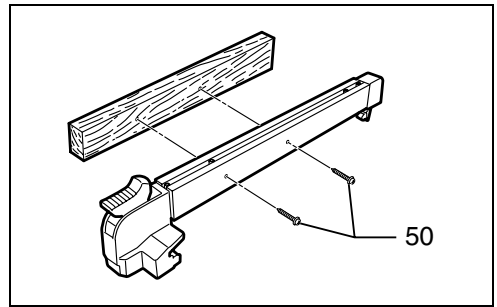
35



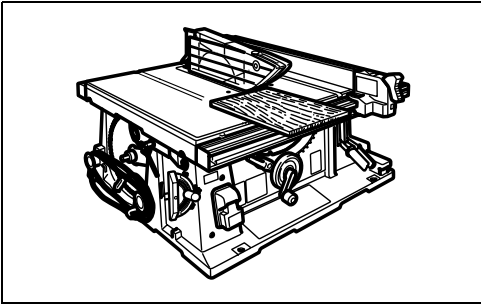
36



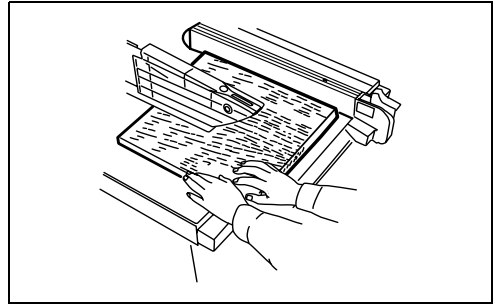
37



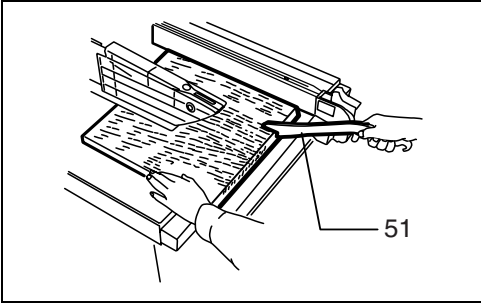
38



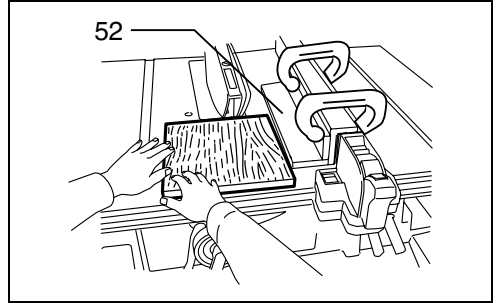
39



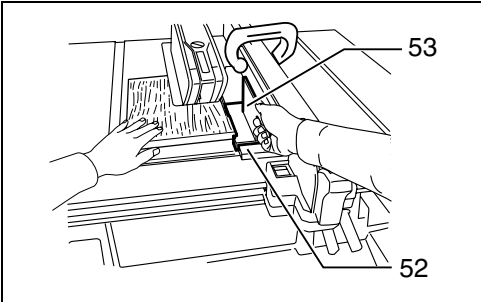
40



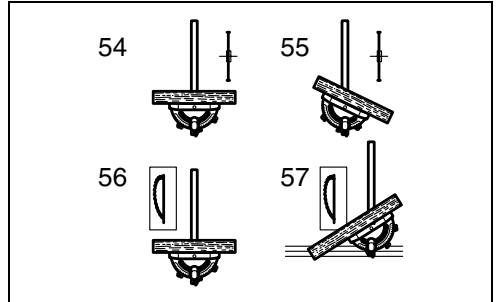
41



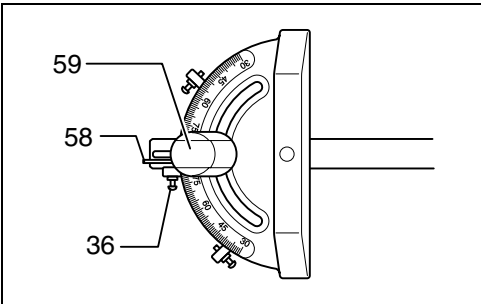
42



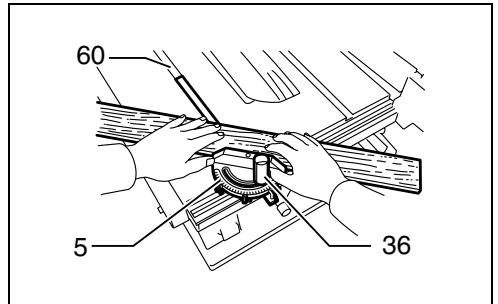
43



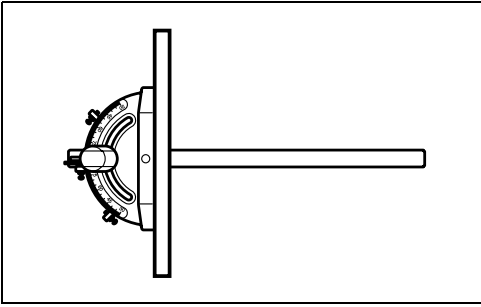
44



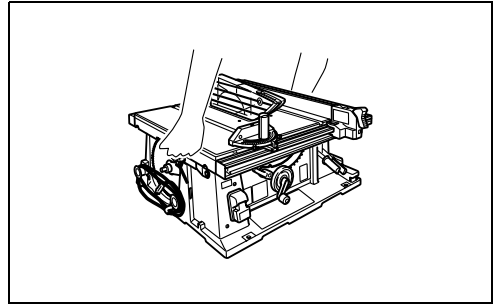
45



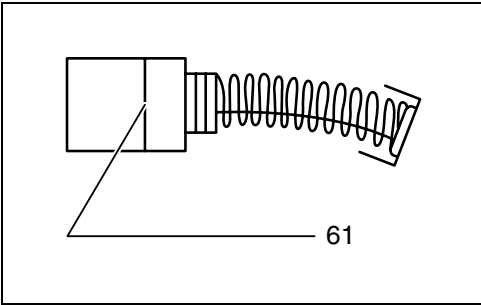
46



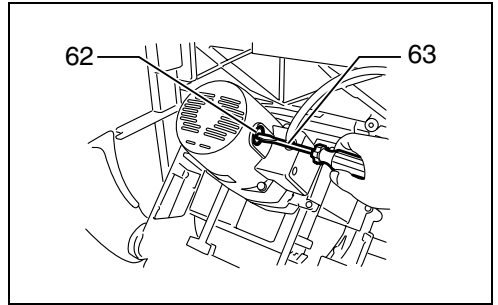
47



48



49



50

ENGLISH (Original instructions)

Explanation of general view

- | | | |
|--|---|---|
| 1. Hole diameter 8 mm | 22. Hex nut | 43. Screw (B) |
| 2. 6 mm Std. washer | 23. Wrench | 44. Screw (A) |
| 3. No.10 wood screw 40 mm min. length | 24. Inner flange | 45. Guideline |
| 4. 6 mm Mounting bolt & Nut tighten securely | 25. Ring | 46. Screws |
| 5. Miter gauge | 26. Saw blade | 47. Face/edge parallel |
| 6. Rip fence | 27. Outer flange | 48. Wood screw |
| 7. Handle | 28. Blade guard | 49. Glue together |
| 8. Lock lever | 29. Riving knife | 50. No. 10 wood screws (long enough to penetrate halfway into facing) |
| 9. Arrow pointer | 30. Blade guard mounting portion (stay) | 51. Push stick |
| 10. Handwheel | 31. Blade | 52. Auxiliary fence |
| 11. 90° Adjusting screw | 32. These two clearances should be equal. | 53. Push block |
| 12. 45° Adjusting screw | 33. Hex bolts (B) | 54. CROSS CUTTING |
| 13. Switch | 34. Hex bolts (A) | 55. MITERING |
| 14. Padlock | 35. Hook | 56. BEVEL CUTTING |
| 15. Lever | 36. Knob | 57. COMPOUND MITERING (ANGLES) |
| 16. Sub table (R) | 37. Guide rail | 58. Small plate |
| 17. Scale plate | 38. Scale | 59. Screw for positive stop |
| 18. Screw | 39. Hex bolts | 60. Groove |
| 19. Sub table (back) | 40. Released position | 61. Limit mark |
| 20. Sub table (L) | 41. Moving position | 62. Brush holder cap |
| 21. Offset wrench | 42. Lock position | 63. Screwdriver |

SPECIFICATIONS

Model		2704	
		(for European countries)	(for other than European countries)
Arbor hole		30 mm	25 mm and 25.4 mm
Blade diameter		260 mm	255 mm
Max. cutting capacities	90°	93 mm	91 mm
	45°	64 mm	63 mm
No load speed (min ⁻¹)		4,800	
Table size (L x W)		(665 mm – 1,045 mm) x (753 mm – 1,066 mm) with sub tables (R) and (back)	567 mm x (753 mm – 1,066 mm) with sub table (R)
Dimensions (L x W x H) with table(s) not extended		715 mm x 753 mm x 344 mm with sub tables (R) and (back)	665 mm x 753 mm x 344 mm with sub table (R)
Net weight		34.9 kg	29.5 kg
Safety class		II/II	

- Due to our continuing programme of research and development, the specifications herein are subject to change without notice.
- Specifications may differ from country to country.
- Weight according to EPTA-Procedure 01/2003

Symbols

END215-4

The following show the symbols used for the equipment. Be sure that you understand their meaning before use.



..... Do not place hand or fingers close to the blade.



..... Only for EU countries
Do not dispose of electric equipment together with household waste material!
In observance of European Directive 2002/96/EC on waste electrical and electronic equipment and its implementation in accordance with national law, electric equipment that have reached the end of their life must be collected separately and returned to an



... Read instruction manual.



..... DOUBLE INSULATION



... Wear safety glasses.

environmentally compatible recycling facility.

Intended use

ENE003-1

The tool is intended for cutting in wood.

Power supply

ENF002-1

The tool should be connected only to a power supply of the same voltage as indicated on the nameplate, and can only be operated on single-phase AC supply. They are double-insulated in accordance with European Standard and can, therefore, also be used from sockets without earth wire.

General Power Tool Safety Warnings

GEA010-1

⚠ WARNING Read all safety warnings and all instructions. Failure to follow the warnings and instructions may result in electric shock, fire and/or serious injury.

Save all warnings and instructions for future reference.

ADDITIONAL SAFETY RULES FOR TOOL

ENB095-1

SAVE THESE INSTRUCTIONS.

1. Wear eye protection.
2. Don't use the tool in presence of flammable liquids or gases.
3. NEVER use the tool with an abrasive cut-off wheel installed.
4. Check the blade carefully for cracks or damage before operation. Replace cracked or damaged blade immediately.
5. Use only saw blades recommended by the manufacturer and which conform to EN847-1, and observe that the riving knife must not be thicker than the width of the cut by the saw blade and not thinner than the body of the blade.
6. Always use accessories recommended in this manual. Use of improper accessories such as abrasive cut-off wheels may cause an injury.
7. Select the correct saw blade for the material to be cut.
8. Do not use saw blades manufactured from high speed steel.
9. To reduce the emitted noise, always be sure that the blade is sharp and clean.
10. Use correctly sharpened saw blades. Observe the maximum speed marked on the saw blade.
11. Clean the spindle, flanges (especially the installing surface) and hex nut before installing the blade. Poor installation may cause vibration/wobbling or slippage of the blade.
12. Use saw-blade guard and riving knife for every operation for which it can be used, including all through sawing operations. Always install the blade guard following the instructions out-lined in this manual. Through sawing operations are those in which the blade cuts completely through the workpiece as in ripping or cross cutting. NEVER

use the tool with a faulty blade guard or secure the blade guard with a rope, string, etc. Any irregular operation of the blade guard should be corrected immediately.

13. Immediately reattach the guard and riving knife after completing an operation which requires removal of the guard.
14. Do not cut metal objects such as nails and screws. Inspect for and remove all nails, screws and other foreign material from the workpiece before operation.
15. Remove wrenches, cut-off pieces, etc. from the table before the switch is turned on.
16. NEVER wear gloves during operation.
17. Keep hands out of the line of the saw blade.
18. NEVER stand or permit anyone else to stand in line with the path of the saw blade.
19. Make sure the blade is not contacting the riving knife or workpiece before the switch is turned on.
20. Before using the tool on an actual workpiece, let it run for a while. Watch for vibration or wobbling that could indicate poor installation or a poorly balanced blade.
21. The tool should not be used for slotting, rabbetting or grooving.
22. Replace table insert when worn.
23. NEVER make any adjustments while tool is running. Disconnect tool before making any adjustments.
24. Use a push stick when required. Push sticks MUST be used for ripping narrow workpieces to keep your hands and fingers well away from the blade.
25. Always store the push-stick when it is not in use.
26. Pay particular attention to instructions for reducing risk of KICKBACK. KICKBACK is a sudden reaction to a pinched, bound or misaligned saw blade. KICKBACK causes the ejection of the workpiece from the tool back towards the operator. KICKBACKS CAN LEAD TO SERIOUS PERSONAL INJURY. Avoid KICKBACKS by keeping the blade sharp, by keeping the rip fence parallel to the blade, by keeping the riving knife and blade guard in place and operating properly, by not releasing the workpiece until you have pushed it all the way past the blade, and by not ripping a workpiece that is twisted or warped or does not have a straight edge to guide along the fence.
27. Do not perform any operation freehand. Freehand means using your hands to support or guide the workpiece, in lieu of a rip fence or miter gauge.
28. NEVER reach around or over saw blade. NEVER reach for a workpiece until the saw blade has completely stopped.
29. Avoid abrupt, fast feeding. Feed as slowly as possible when cutting hard workpieces. Do not bend or twist workpiece while feeding. If you stall or jam the blade in the workpiece, turn the tool off immediately. Unplug the tool. Then clear the jam.
30. NEVER remove cut-off pieces near the blade or touch the blade guard while the blade is running.
31. Knock out any loose knots from workpiece BEFORE beginning to cut.

32. **Do not abuse cord. Never yank cord to disconnect it from the receptacle. Keep cord away from heat, oil, water and sharp edges.**
33. **Some dust created from operation contains chemicals known to cause cancer, birth defects or other reproductive harm. Some examples of these chemicals are:**
 - lead from lead-based-painted material and,
 - arsenic and chromium from chemically-treated lumber.
 - **Your risk from these exposures varies, depending on how often you do this type of work. To reduce your exposure to these chemicals: work in a well ventilated area and work with approved safety equipment, such as those dust masks that are specially designed to filter out microscopic particles.**
34. **Connect the tool to a dust-collecting device when sawing.**
35. **The guard can be lifted during workpiece setup and for ease of cleaning. Always make sure that guard hood is down and flat against sawtable before plugging in the tool.**

SAVE THESE INSTRUCTIONS

INSTALLATION

Positioning table saw (Fig. 1 – 3)

Locate the table saw in a well lit and level area where you can maintain good footing and balance. It should be installed in an area that leaves enough room to easily handle the size of your workpieces. The table saw should be secured with four screws or bolts to the work bench or table saw stand using the holes provided in the bottom of the table saw. When securing the table saw on the work bench, make sure that there is an opening in the top of the work bench the same size as the opening in the bottom of the table saw so the sawdust can drop through. If during operation there is any tendency for the table saw to tip over, slide or move, the work bench or table saw stand should be secured to the floor.

Storing accessories (Fig. 4 & 5)

The miter gauge, blade and wrenches can be stored on the left side of the base and the rip fence can be stored at the right side of the base.

FUNCTIONAL DESCRIPTION

CAUTION:

- Always be sure that the tool is switched off and unplugged before adjusting or checking function on the tool.

Adjusting the depth of cut (Fig. 6)

The depth of cut may be adjusted by turning the handle. Turn the handle clockwise to raise the blade or counterclockwise to lower it.

NOTE:

- Use a shallow depth setting when cutting thin materials in order to obtain a cleaner cut.

Adjusting the bevel angle (Fig. 7)

Loosen the lock lever counterclockwise and turn the handwheel until the desired angle (0° – 45°) is obtained. The bevel angle is indicated by the arrow pointer. After obtaining the desired angle, tighten the lock lever clockwise to secure the adjustment.

CAUTION:

- After adjusting the bevel angle, be sure to tighten the lock lever securely.

Adjusting positive stops (Fig. 8 & 9)

The tool is equipped with positive stops at 90° and 45° to the table surface. To check and adjust the positive stops, proceed as follows:

Move the handwheel as far as possible by turning it. Place a triangular rule on the table and check to see if the blade is at 90° or 45° to the table surface. If the blade is at an angle shown in Fig. A, turn the adjusting screws clockwise; if it is at an angle shown in Fig. B, turn the adjusting screws counterclockwise to adjust the positive stops.

After adjusting the positive stops, set the blade at 90° to the table surface. Then adjust the arrow pointer so that its right edge is aligned to the 0° graduation. (Fig. 10)

Switch action

For the lever type switch (Fig. 11)

CAUTION:

- Before plugging in the tool, always be sure that the tool is switched off.

To start the tool, raise the switch lever. To stop it, lower the switch lever.

The hinged switch lever plate can be locked by passing padlock through the hasp on the left hand side. (Fig. 12)

For the button type switch (Fig. 13)

CAUTION:

- Before operation, make sure that the tool is turned on and off.

To start the tool, press the ON (I) button.

To stop it, press the OFF (O) button.

Sub table (R) (Fig. 14 & 15)

This tool is provided with the sub table (R) on the right side of the main table. To use the sub table (R), raise both levers on the front right side, pull out the table (R) fully and then lower the levers to secure it.

When using the sub table (R), locate the scale plate on the sub table after loosening the screw on it with a screwdriver so that it becomes successive with the scale plate on the main table. (Fig. 16)

Sub table (back)

(optional accessory for other than European countries) (Fig. 17)

To use the sub table (back), loosen the screws on the left and right hand sides under the table and pull it out backwards to the desired length. At the desired length, tighten the screw securely.

NOTE:

- When using the sub table (back) during use of the rip fence, pull out the sub table (back) more than 50 mm so that it does not hit against the top end of the rip fence.

Sub table (L) (optional accessory)**(Fig. 18)**

Sub table (L) (optional accessory) can be installed on the left side of the table to obtain wider space.

ASSEMBLY**CAUTION:**

- Always be sure that the tool is switched off and unplugged before carrying out any work on the tool. The tool is shipped from the factory with the saw blade and blade guard not in the installed condition. Assemble as follows:

Installing or removing saw blade**CAUTION:**

- Always be sure that the tool is switched off and unplugged before installing or removing the blade.
- Use only the Makita socket wrench provided to install or remove the blade. Failure to do so may result in overtightening or insufficient tightening of the hex bolt. This could cause an injury.
- Use the following saw blade. Do not use saw blades which do not comply with the characteristics specified in these instructions.

For Model	Max. dia.	Min. dia.	Blade thickness	Kerf
2704	260 mm	230 mm	1.8 mm or less	2 mm or more

CAUTION:

- Check the arbor hole diameter of the blade before installing the blade. Always use the correct ring for the arbor hole of the blade you intend to use. **(Fig. 19)**

Remove the table insert on the table. Hold the outer flange with the offset wrench and loosen the hex nut counterclockwise with the wrench. Then remove the outer flange.

Assemble the inner flange, ring, saw blade, outer flange and hex nut onto the arbor, making sure that the teeth of the blade are pointing down at the front of the table. Always install the hex nut with its recessed side facing the outer flange. **(Fig. 20)**

For all countries other than European countries**CAUTION:**

- The silver ring 25.4 mm in outer diameter is factory-installed onto the spindle. The black ring 25 mm in outer diameter is included as standard equipment. Before mounting the blade onto the spindle, always be sure that the correct ring for the arbor hole of the blade you intend to use is installed onto the spindle.

For European countries**CAUTION:**

- The ring 30 mm in outer diameter is factory-installed between the inner and outer flanges.

- Keep the flange surface clean of dirt or other adhering matter; it could cause blade slippage. Be sure that the blade is installed so that the teeth are aligned in the cutting (turning) direction.

To secure the blade in place, hold the outer flange with the offset wrench, then tighten the hex nut clockwise with the wrench. **BE SURE TO TIGHTEN THE HEX NUT SECURELY. (Fig. 21)**

CAUTION:

- Be sure to hold the hex nut carefully with the wrench. If your grip should slip, the wrench may come off the hex nut, and your hand could strike the sharp blade edges.

Installing blade guard (Fig. 22 & 23)**CAUTION:**

- Before installing the blade guard, adjust the depth of cut to its maximum elevation.

For non-European type blade guard

Remove the center cover. Insert the riving knife into the blade guard mounting portion (stay). Tighten the hex bolts (A) with the provided wrench.

For European type blade guard (Fig. 24 & 25)

Remove the center cover. Insert the riving knife into the blade guard mounting portion (stay). Tighten the hex bolts (A) with the provided wrench.

Place the blade guard into the groove on the riving knife. Secure the blade guard by pivoting the lever on the blade guard.

For both European and non-European type blade guards

The riving knife installing location is factory-adjusted so that the blade and riving knife will be in a straight line. However, if they are not in a straight line, loosen the hex bolts (B) and adjust the blade guard mounting portion (stay) so that the riving knife is aligned directly behind the blade. Then tighten the hex bolts (B) to secure the stay. **(Fig. 26)**

CAUTION:

- If the blade and riving knife are not aligned properly, a dangerous pinching condition may result during operation. Make sure they are properly aligned. You could suffer serious personal injury while using the tool without a properly aligned riving knife.
- NEVER make any adjustments while tool is running. Disconnect the tool before making any adjustments.
- Don't remove the riving knife.

There must be a clearance of about 4 - 5 mm between the riving knife and the blade teeth. Loosen the hex bolts (A), adjust the riving knife accordingly and tighten the hex bolts (A) securely. Attach the table insert on the table, then check to see that the blade guard works smoothly before cutting. **(Fig. 27)**

Installing and adjusting rip fence (Fig. 28)

- 1) Fit the hook on the tip of the rip fence into the far guide rail on the table or sub table (R) and install and push the rip fence forward so that the fence holder engages with the nearest guide rail.

To slide the rip fence on the guide rail sideways, pivot the knob on the fence holder to the half way of its travel.

To secure the rip fence, pivot fully the knob on the fence holder.

- 2) To slide the rip fence on the guide rail sideways, return the knob on the fence holder fully without pulling the lever on the knob.
- 3) To remove it, pull the lever on the knob and pivot the knob fully forward while pulling the lever.

To check to be sure that the rip fence is parallel with the blade, secure the rip fence 2 - 3 mm from the blade. Raise the blade up to maximum elevation. Mark one of the blade teeth with a crayon. Measure the distance (A) and (B) between the rip fence and blade. Take both measurements using the tooth marked with the crayon. These two measurements should be identical. If the rip fence is not parallel with the blade, proceed as follows:

(Fig. 29 & 30)

1. Position the rip fence in the sliding position.
2. Loosen the two hex bolts on the rip fence with the hex wrench provided.
3. Adjust the rip fence until it becomes parallel with the blade.
4. Pivot down the knob on the rip fence toward the operator.
5. Tighten the two hex bolts on the rip fence. **(Fig. 31)**

CAUTION:

- Be sure to adjust the rip fence so that it is parallel with the blade, or a dangerous kickback condition may occur.

When the rip fence cannot be secured solidly, adjust it according to the following procedure.

- (1) Set the rip fence on the table and then pivot the knob on the half way of its travel (moving position). Tighten the screw (A) until the rip fence is immobilized. Then loosen a 1/4 to 1/2 turn. **(Fig. 32 & 33)**
- (2) Tighten the screw (B) fully and then loosen about 2 full revolutions.
- (3) Lock the rip fence by fully pivoting the knob on the fence holder (lock position).
- (4) Make sure that the rip fence can be installed and removed in the original position (released position).
- (5) Make sure that the rip fence can be slid smoothly with no wobble when the knob is on half way of its travel.

CAUTION:

- Be careful not to tighten screws with more than tightening amount specified in the above instructions. Failure to do so may damage the fastened parts.

Bring the rip fence up flush against the side of the blade. Make sure that the guideline on the fence holder points to the 0 graduation. If the guideline does not point to the 0 graduation, loosen the screw on the scale plate and adjust the scale plate. **(Fig. 34)**

Connecting to vacuum cleaner

Cleaner operations can be performed by connecting the tool to Makita vacuum cleaner or dust collector. **(Fig. 35)**

OPERATION

CAUTION:

- Always use "work helpers" such as push sticks and push blocks when there is a danger that your hands or fingers will come close to the blade.

- Always hold the workpiece firmly with the table and the rip fence or miter gauge. Do not bend or twist it while feeding. If the workpiece is bent or twisted, dangerous kickbacks may occur.
- NEVER withdraw the workpiece while the blade is running. If you must withdraw the workpiece before completing a cut, first switch the tool off while holding the workpiece firmly. Wait until the blade has come to a complete stop before withdrawing the workpiece. Failure to do so may cause dangerous kickbacks.
- NEVER remove cut-off material while the blade is running.
- NEVER place your hands or fingers in the path of the saw blade. Be especially careful with bevel cuts.
- Always secure the rip fence firmly, or dangerous kickbacks may occur.
- Always use "work helpers" such as push sticks and push blocks when cutting small or narrow workpieces.

Work helpers

Push sticks, push blocks or auxiliary fence are types of "work helpers". Use them to make safe, sure cuts without the need for the operator to contact the blade with any part of the body.

Push block (Fig. 36)

Use a 19 mm piece of plywood.

Handle should be in center of plywood piece. Fasten with glue and wood screws as shown. Small piece 9.5 mm x 8 mm x 50 mm of wood must always be glued to plywood to keep the blade from dulling if the operator cuts into push block by mistake. (Never use nails in push block.)

Auxiliary fence (Fig. 37)

Make auxiliary fence from 9.5 mm and 19 mm plywood pieces.

Wood facing (rip fence) (Fig. 38)

A wood facing should be used for operations when the blade comes close to the rip fence. Wood facing for the rip fence should be the same size as the rip fence. Make sure the bottom of facing is flush with the table surface.

Ripping

CAUTION:

- When ripping, remove the miter gauge from the table.
 - When cutting long or large workpieces, always provide adequate support behind the table. DO NOT allow a long board to move or shift on the table. This will cause the blade to bind and increase the possibility of kickback and personal injury. The support should be at the same height as the table.
1. Adjust the depth of cut a bit higher than the thickness of the workpiece. **(Fig. 39)**
 2. Position the rip fence to the desired width of rip and lock in place by pivoting the grip. Before ripping, make sure the rear end of the rip fence is secured firmly. If it is not secured enough, follow the procedures in the section titled "Installing and adjusting rip fence".
 3. Turn the tool on and gently feed the workpiece into the blade along with the rip fence.
 - (1) When the width of rip is 150 mm and wider, carefully use your right hand to feed the workpiece. Use your left hand to hold the

workpiece in position against the rip fence.

(Fig. 40)

- (2) When the width of rip is 65 mm - 150 mm wide, use the push stick to feed the workpiece. (Fig. 41)
- (3) When the width of rip is narrower than 65 mm, the push stick cannot be used because the push stick will strike the blade guard. Use the auxiliary fence and push block. Attach the auxiliary fence to the rip fence with two "C" clamps. (Fig. 42)
Feed the workpiece by hand until the end is about 25 mm from the front edge of the table. Continue to feed using the push block on the top of the auxiliary fence until the cut is complete. (Fig. 43)

Cross cutting

CAUTION:

- When making a crosscut, remove the rip fence from the table.
- When cutting long or large workpieces, always provide adequate support to the sides of the table. The support should be at the same height as the table.
- Always keep hands away from path of blade.

Miter gauge (Fig. 44)

Use the miter gauge for the 4 types of cutting shown in the figure.

CAUTION:

- Secure the knob on the miter gauge carefully.
- Avoid creep of workpiece and gauge by firm workholding arrangement, especially when cutting at an angle.
- NEVER hold or grasp the intended "cut-off" portion of the workpiece.
- Always adjust the distance between the end of the miter gauge and the saw blade not to exceed 15 mm.

Miter gauge positive stop (Fig. 45)

Miter gauge is provided with positive stops at 90°, 45° right and left miter angles for quick setting of miter angles. To set the miter angle, loosen the knob on the miter gauge.

Raise the small plate on the miter gauge for free setting. Turn the miter gauge to the desired miter angle. Return the small plate on the miter gauge to the original position and tighten the knob clockwise securely.

Use of miter gauge (Fig. 46)

Slide the miter gauge into the thick grooves in the table. Loosen the knob on the gauge and align to desired angle (0° to 60°). Bring stock flush up against fence and feed gently forward into the blade.

Auxiliary wood facing (miter gauge) (Fig. 47)

To prevent a long board from wobbling, fit the miter gauge with an auxiliary fence board. Fasten with bolts/nuts after drilling holes, but fasteners must not protrude from the face board.

Carrying tool (Fig. 48)

Carry the tool by holding the tool part shown in the figure.

CAUTION:

- Always secure all moving portions before carrying the tool.

- Always make sure that the blade guard is installed in place before the carrying the tool.

MAINTENANCE

CAUTION:

- Always be sure that the tool is switched off and unplugged before attempting to perform inspection or maintenance.
- Never use gasoline, benzene, thinner, alcohol or the like. Discoloration, deformation or cracks may result.

Cleaning

Clean out sawdust and chips from time to time. Carefully clean the blade guard and moving parts inside the table saw.

Lubrication

To keep the table saw in tip-top running condition, and to assure maximum service life, oil or grease the moving parts and rotating parts from time to time.

Lubrication places:

- Threaded shaft to elevate the blade
- Hinge to rotate the frame
- Elevation guide shafts on motor
- Gear to elevate the blade
- Guide rails for the rip fence
- Shaft of the sub table (R) locking levers
- Sliding part of the sub table (R)

Replacing carbon brushes (Fig. 49)

Remove and check the carbon brushes regularly. Replace when they wear down to the limit mark. Keep the carbon brushes clean and free to slip in the holders. Both carbon brushes should be replaced at the same time. Use only identical carbon brushes.

Use a screwdriver to remove the brush holder caps. To replace the carbon brushes, remove the blade guard and blade and then loosen the lock lever, tilt the saw head and secure it at 45° bevel angle. Carefully lay the tool on itself backward. Then loosen the brush holder cap. Remove the worn carbon brushes, insert the new ones and secure the brush holder caps. (Fig. 50)

To maintain product SAFETY and RELIABILITY, repairs, any other maintenance or adjustment should be performed by Makita Authorized Service Centers, always using Makita replacement parts.

ACCESSORIES

CAUTION:

- These accessories or attachments are recommended for use with your Makita tool specified in this manual. The use of any other accessories or attachments might present a risk of injury to persons. Only use accessory or attachment for its stated purpose.

If you need any assistance for more details regarding these accessories, ask your local Makita Service Center.

Table stand set (accessory)

Refer to the instruction manual for table saw stand that is provided with the table saw stand as an optional accessory.

- Steel & Carbide-tipped saw blades
- Sub table (L)

- Sub table (back)
- Rip fence
- Miter gauge
- Offset wrench 13 – 22
- Wrench 19
- Hex wrench 5
- Joint (for connecting to dust collector)
- Auxiliary plate
- Stand set
- Sliding guide

Noise ENG905-1

The typical A-weighted noise level determined according to EN61029:

Sound pressure level (L_{pA}): 94 dB(A)

Sound power level (L_{WA}): 107 dB(A)

Uncertainty (K): 3 dB(A)

Wear ear protection.

For European countries only ENH003-13

EC Declaration of Conformity

We Makita Corporation as the responsible manufacturer declare that the following Makita machine(s):

Designation of Machine:

Table Saw

Model No./ Type: 2704

are of series production and

Conforms to the following European Directives:

2006/42/EC

And are manufactured in accordance with the following standards or standardised documents:

EN61029

The technical documentation is kept by our authorised representative in Europe who is:

Makita International Europe Ltd.,

Michigan Drive, Tongwell,

Milton Keynes, Bucks MK15 8JD, England

21. 4. 2010



Tomoyasu Kato

Director

Makita Corporation

3-11-8, Sumiyoshi-cho,

Anjo, Aichi, 446-8502, JAPAN

FRANÇAIS (Instructions d'origine)

Descriptif

- | | | |
|---|--|---|
| 1. Diamètre d'orifice 8 mm | 22. Écrou hexagonal | 43. Vis (B) |
| 2. Rondelle régulière 6 mm | 23. Clé | 44. Vis (A) |
| 3. Vis à bois no 10, longueur min. 40 mm | 24. Flasque intérieur | 45. Guide |
| 4. Boulon de montage 6 mm et écrou (serrer fermement) | 25. Bague | 46. Vis |
| 5. Guide de coupe d'onglet | 26. Lame de scie | 47. Parement/bord parallèle |
| 6. Garde parallèle | 27. Flasque extérieur | 48. Vis à bois |
| 7. Poignée | 28. Protecteur de lame | 49. Coller ensemble |
| 8. Levier de verrouillage | 29. Couteau diviseur | 50. Vis à bois no 10 (assez longue pour pénétrer jusqu'à la moitié du parement) |
| 9. Flèche d'index | 30. Section de montage (support) du protecteur de lame | 51. Bouton-poussoir |
| 10. Volant manuel | 31. Lame | 52. Garde auxiliaire |
| 11. Vis de réglage 90° | 32. Ces deux espaces doivent être égaux. | 53. Bloc-poussoir |
| 12. Vis de réglage 45° | 33. Boulons hexagonaux (B) | 54. COUPE EN TRAVERS |
| 13. Interrupteur | 34. Boulons hexagonaux (A) | 55. COUPE D'ONGLET |
| 14. Cadenas | 35. Crochet | 56. COUPE EN BIAIS |
| 15. Levier | 36. Bouton | 57. COUPE MIXTE (ANGLES) |
| 16. Table auxiliaire (R) | 37. Rail-guide | 58. Petite plaque |
| 17. Secteur angulaire | 38. Échelle | 59. Vis pour butée fixe |
| 18. Vis | 39. Boulons hexagonaux | 60. Rainure |
| 19. Table auxiliaire (arrière) | 40. Position ouverte | 61. Repère d'usure |
| 20. Table auxiliaire (L) | 41. Position libre | 62. Bouchon de porte-charbon |
| 21. Clé coudée | 42. Position verrouillée | 63. Tournevis |

SPÉCIFICATIONS

Modèle		2704	
		(pour les pays d'Europe)	(pour les pays non européens)
Alésage central		30 mm	25 et 25,4 mm
Diamètre de lame		260 mm	255 mm
Capacités de coupe max.	90°	93 mm	91 mm
	45°	64 mm	63 mm
Vitesse à vide (min ⁻¹)		4 800	
Dimensions de la table (L x P)		(665 mm – 1 045 mm) x (753 mm – 1 066 mm) avec les tables auxiliaires (R) et (arrière)	567 mm x (753 mm – 1 066 mm) avec la table auxiliaire (R)
Dimensions (L x H x P) sans table auxiliaire déployée		715 mm x 753 mm x 344 mm avec les tables auxiliaires (R) et (arrière)	665 mm x 753 mm x 344 mm avec la table auxiliaire (R)
Poids net		34,9 kg	29,5 kg
Niveau de sécurité		☐/II	

- Étant donné l'évolution constante de notre programme de recherche et de développement, les spécifications contenues dans ce manuel sont sujettes à des modifications sans préavis.
- Les spécifications peuvent varier suivant les pays.
- Poids conforme à la procédure EPTA 01/2003

Symboles

END215-4

Les symboles utilisés pour l'outil sont indiqués ci-dessous. Assurez-vous d'avoir bien compris leur signification avant d'utiliser l'outil.



..... Ne pas placer les mains ou les doigts près de la lame.



..... Pour les pays européens uniquement
Ne pas jeter les appareils électriques dans les ordures ménagères !
Conformément à la directive européenne 2002/96/EG relative aux déchets d'équipements électriques ou électroniques (DEEE), et à sa transposition dans la législation nationale, les appareils électriques



... Veuillez lire le manuel d'instructions.



..... ISOLATION DOUBLE



... Portez des lunettes de sécurité.

doivent être collectés à part et être soumis à un recyclage respectueux de l'environnement.

Utilisations

ENE003-1

L'outil est conçu pour couper le bois.

Alimentation

ENF002-1

L'outil ne devra être raccordé qu'à une alimentation de la même tension que celle qui figure sur la plaque signalétique, et il ne pourra fonctionner que sur un courant secteur monophasé. Réalisé avec une double isolation, il est conforme à la réglementation européenne et peut de ce fait être alimenté sans mise à la terre.

Consignes de sécurité générales des outils électriques

GEA010-1

⚠ AVERTISSEMENT Veuillez lire toutes les consignes de sécurité et les instructions. Il y a un risque de choc électrique, d'incendie et/ou de blessure grave si les consignes et les instructions ne sont pas toutes respectées.

Conservez toutes les consignes et instructions pour référence ultérieure.

CONSIGNES DE SÉCURITÉ ADDITIONNELLES

ENB095-1

CONSERVEZ CES INSTRUCTIONS.

1. Portez une protection oculaire.
2. Ne pas utiliser l'outil en présence de liquides ou gaz inflammables.
3. Ne JAMAIS utiliser l'outil avec une meule à tronçonner abrasive.
4. Vérifiez minutieusement l'absence de fissures ou dommages avant l'utilisation. Remplacez immédiatement toute lame fissurée ou endommagée.
5. Utilisez exclusivement les lames de scie recommandées par le fabricant et conformes à EN847-1, en vous assurant que le couteau diviseur n'est ni plus large que la largeur de coupe de la lame de scie, ni plus mince que le corps de la lame.
6. Utilisez toujours les accessoires recommandés dans le présent manuel. L'utilisation d'accessoires inadéquats, comme par exemple une meule à tronçonner abrasive, comporte un risque de blessure.
7. Choisissez la lame de scie qui convient au type de matériau à couper.
8. Ne pas utiliser de lames fabriquées en acier à coupe rapide.
9. Pour réduire l'émission de bruit, assurez-vous toujours que la lame est bien affûtée et propre.
10. Utilisez des lames de scies bien aiguisées. Respectez la vitesse maximale indiquée sur la lame de scie.
11. Nettoyez l'axe, les flasques (tout spécialement leur face d'installation) et l'écrou hexagonal avant

de poser la lame. La lame risque de vibrer, d'osciller ou de glisser si elle n'est pas correctement installée.

12. Utilisez le protecteur de lame et le couteau diviseur chaque fois que le travail à effectuer le permet, y compris pour le sciage sur toute la longueur de la pièce. Suivez toujours les instructions du présent manuel pour poser le protecteur de lame. Les coupes effectuées sur toute la longueur de la pièce sont celles où la lame coupe complètement la pièce, comme lors du sciage en long et des coupes en travers. Ne JAMAIS utiliser un outil dont le protecteur de lame est défectueux, ni fixer le protecteur de lame à l'aide d'une corde, d'un ficelle, etc. Tout fonctionnement anormal du protecteur de lame doit être immédiatement réparé.
13. Remettez immédiatement le protecteur et le couteau diviseur en place après avoir effectué un travail nécessitant la dépose du protecteur.
14. Évitez de couper des pièces de métal telles que les clous et vis. Avant de procéder au travail, vérifiez la pièce pour en retirer les clous, vis et autres corps étrangers.
15. Retirez les clés, bouts de pièces coupés et autres objets de la table avant de mettre le contact.
16. Ne JAMAIS porter des gants pendant l'utilisation.
17. Gardez les mains hors de la ligne de coupe de la lame de scie.
18. Ne JAMAIS se tenir ni laisser personne se tenir dans la trajectoire de la lame de scie.
19. Assurez-vous que la lame n'entre pas en contact avec le couteau diviseur ou la pièce avant de mettre le contact.
20. Laissez tourner l'outil un instant avant de l'utiliser sur la pièce. Assurez-vous que la lame ne vibre ou ne tremble pas, ceci pouvant indiquer qu'elle est mal posée ou mal équilibrée.
21. L'outil ne doit pas être utilisé pour les opérations de taille, de feuillure ou de rainure.
22. Remplacez la fiche de table lorsqu'elle est usée.
23. Ne JAMAIS effectuer de réglages pendant que l'outil tourne. Débranchez l'outil avant d'effectuer tout réglage.
24. Utilisez un bâton-poussoir lorsque nécessaire. Les bâtons-poussoirs DOIVENT être utilisés pour scier en long des pièces étroites afin de garder les mains et doigts à l'écart de la lame.
25. Rangez toujours le bâton-poussoir après l'avoir utilisé.
26. Prêtez une attention particulière aux instructions concernant la réduction des risques de CHOC EN RETOUR. Le choc en retour désigne une réaction soudaine de l'outil qui se produit lorsque la lame est coincée, pincée ou désalignée. Lors d'un CHOC EN RETOUR l'outil éjecte la pièce vers l'utilisateur. **LES CHOCS EN RETOUR COMPORTENT UN RISQUE DE BLESSURE GRAVE.** Évitez les CHOCS EN RETOUR en maintenant la lame bien affûtée, le garde parallèle en position parallèle à la lame, le couteau diviseur et le protecteur de lame en place et en bon état de fonctionnement, en évitant de relâcher la pièce avant qu'elle ne se trouve complètement derrière

la lame, et en évitant de scier en long une pièce tordue, déformée ou dont le bord est inégal et ne permet pas l'utilisation du guide.

27. N'effectuez aucune opération à mains libres. Une opération à mains libres consiste à utiliser les mains plutôt que le garde parallèle ou un guide de coupe d'onglet pour soutenir ou guider la pièce.
28. Ne JAMAIS étendre la main près ou au-delà de la lame de scie. Ne JAMAIS tendre la main pour saisir une pièce tant que la lame n'a pas complètement cessé de tourner.
29. Évitez de faire progresser la pièce brusquement ou rapidement. Faites-la progresser le plus lentement possible lorsqu'il s'agit d'une pièce dure. Évitez de plier ou tordre la pièce en la faisant progresser. Coupez immédiatement le contact si la lame se bloque ou se coince dans la pièce. Débranchez l'outil. Dégagez ensuite la lame.
30. Ne JAMAIS retirer les bouts de pièces coupés qui tombent près de la lame ni toucher le protecteur de lame pendant que la lame tourne.
31. AVANT de commencer la coupe, arrachez tous les nœuds lâches de la pièce.
32. Ne maltraitez pas le cordon. Ne tirez jamais directement sur le cordon pour le débrancher de la prise de courant. Maintenez le cordon à l'écart de la chaleur, de l'huile et des objets à bord tranchant.
33. Les poussières dégagées lors de l'utilisation de l'outil peuvent contenir certains produits chimiques reconnus comme pouvant causer le cancer, des anomalies congénitales ou autres problèmes de reproduction. Parmi ces produits chimiques figurent les suivants :
 - le plomb que contiennent les matériaux recouverts d'une peinture à base de plomb ;
 - l'arsenic et le chrome du petit bois d'œuvre traité chimiquement.
 - Les risques d'exposition varient suivant la fréquence du travail avec de tels matériaux. Pour réduire les risques d'exposition à ces produits chimiques : travaillez dans une aire de travail bien aérée et utilisez des dispositifs de sécurité homologués, tels que des masques à poussière spécialement conçus pour filtrer les particules microscopiques.
34. Raccordez l'outil à un appareil de collecte des poussières lorsque vous sciez.
35. Il est possible de lever le protecteur pendant l'installation de la pièce et pour faciliter le nettoyage. Assurez-vous toujours que le capot du protecteur est abaissé et à plat contre le banc de scie avant de brancher l'outil.

CONSERVEZ CES INSTRUCTIONS.

INSTALLATION

Positionnement du banc de scie (Fig. 1 à 3)

Mettez le banc de scie dans un emplacement bien éclairé et de niveau, où vous pourrez maintenir une bonne prise au sol et un bon équilibre. Il doit être installé là où

l'espace disponible permettra de manipuler facilement vos pièces, compte tenu de leur taille. Le banc de scie doit être fixé à l'établi ou au support de banc de scie avec quatre vis ou boulons, à l'aide des orifices prévus au bas du banc de scie. Lorsque vous fixez le banc de scie à l'établi, assurez-vous qu'il y a une ouverture sur le dessus de l'établi de la même dimension que l'ouverture pratiquée au bas du banc de scie, pour que la sciure de bois puisse s'échapper.

Si le banc de scie a tendance à basculer, glisser ou bouger pendant l'utilisation, il faudra fixer l'établi ou le support de banc de scie au plancher.

Rangement des accessoires (Fig. 4 et 5)

Le guide de coupe d'onglet, la lame et les clés peuvent être rangés du côté gauche de la base, et le garde parallèle du côté droit de la base.

DESCRIPTION DU FONCTIONNEMENT

ATTENTION :

- Assurez-vous toujours que l'outil est hors tension et débranché avant de l'ajuster ou de vérifier son fonctionnement.

Réglage de la profondeur de coupe (Fig. 6)

La profondeur de coupe se règle en tournant la poignée. Tournez la poignée dans le sens des aiguilles d'une montre pour élever la lame, ou en sens inverse pour l'abaisser.

NOTE :

- Réglez la lame sur une faible profondeur pour couper les matériaux minces, afin d'obtenir une coupe plus nette.

Réglage de l'angle de coupe en biseau (Fig. 7)

Desserrez le levier de verrouillage en le tournant dans le sens inverse des aiguilles d'une montre et tournez le volant manuel jusqu'à l'angle désiré (0° à 45°). L'angle de coupe en biseau est indiqué par la flèche d'index. Une fois l'angle désiré obtenu, serrez le levier de verrouillage en tournant dans le sens des aiguilles d'une montre pour conserver le réglage sur cet angle.

ATTENTION :

- Après avoir ajusté l'angle de coupe en biseau, n'oubliez pas de serrer fermement le levier de verrouillage.

Réglage des butées fixes (Fig. 8 et 9)

L'outil est équipé de butées fixes sur des angles de 90° et 45° par rapport à la surface de la table. Pour vérifier et régler les butées fixes, procédez comme suit : Déplacez le volant manuel le plus loin possible en le tournant. Placez une règle triangulaire sur la table et vérifiez que la lame se trouve à 90° ou 45° par rapport à la surface de la table. Pour ajuster les butées positives, tournez les vis de réglage dans le sens des aiguilles d'une montre si la lame se trouve sur l'angle indiqué à la Fig. A,

et en sens inverse si elle se trouve sur l'angle indiqué à la Fig. B.

Après avoir réglé les butées fixes, réglez la lame à 90° par rapport à la surface de la table. Réglez ensuite la flèche d'index de sorte que son côté droit soit aligné sur la graduation 0°. (Fig. 10)

Interrupteur

Pour l'interrupteur à levier (Fig. 11)

ATTENTION :

- Avant de brancher l'outil, assurez-vous toujours que l'interrupteur est en position d'arrêt.

Pour mettre l'outil en marche, soulevez le levier de l'interrupteur. Pour l'arrêter, abaissez le levier de l'interrupteur.

La plaque articulée du levier d'interrupteur se verrouille en passant le cadenas dans le moraillon du côté gauche.

(Fig. 12)

Pour l'interrupteur à bouton (Fig. 13)

ATTENTION :

- Avant l'utilisation, assurez-vous que l'outil peut être mis sous et hors tension.

Pour démarrer l'outil, appuyez sur le bouton de mise en marche (I).

Pour l'arrêter, appuyez sur le bouton d'arrêt (O).

Table auxiliaire (R) (Fig. 14 et 15)

Cet outil est doté d'une table auxiliaire (R) sur le côté droit de la table principale. Pour utiliser la table auxiliaire (R), soulevez les deux leviers à l'avant du côté droit, tirez complètement la table (R) puis abaissez les leviers pour l'immobiliser.

Lorsque vous utilisez la table auxiliaire (R), placez le secteur angulaire sur cette dernière après y avoir desserré la vis à l'aide d'un tournevis de sorte qu'il se trouve dans le prolongement du secteur angulaire de la table principale. (Fig. 16)

Table auxiliaire (arrière)

(accessoire en option pour les pays autres que les pays européens) (Fig. 17)

Pour utiliser la table auxiliaire (arrière), desserrer les vis sur les côtés gauche et droit sous la table et tirez-la vers l'arrière à la longueur désirée ensuite serrez fermement les vis en place.

NOTE :

- Lorsque vous utilisez la table auxiliaire (arrière) avec le garde parallèle, tirez-la sur plus de 50 mm pour qu'elle ne frappe pas contre l'extrémité supérieure du garde parallèle.

Table auxiliaire (L) (accessoire en option) (Fig. 18)

La table auxiliaire (L) (accessoire en option) peut être installée du côté gauche de la table principale pour obtenir plus d'espace de ce côté.

ASSEMBLAGE

ATTENTION :

- Avant d'effectuer toute intervention sur l'outil, assurez-vous toujours qu'il est hors tension et débranché. La lame de scie et le protecteur de lame ne sont pas posés sur l'outil à sa sortie d'usine. Procédez comme suit pour les assembler :

Pose ou dépose de la lame de scie

ATTENTION :

- Assurez-vous toujours que l'outil est hors tension et débranché avant de poser ou déposer la lame.
- Utilisez exclusivement la clé à douille Makita fournie pour poser ou déposer la lame. Autrement le boulon hexagonal risque d'être trop ou pas assez serré. Cela comporte un risque de blessure.
- Utilisez la lame de scie suivante. Ne pas utiliser de lames de scie non conformes aux spécifications indiquées dans les présentes instructions.

Pour le modèle	Diamètre max.	Diamètre min.	Lame épaisseur	Trait de scie
2704	260 mm	230 mm	1,8 mm ou moins	2 mm ou plus

ATTENTION :

- Vérifiez le diamètre de l'alésage central de la lame avant de la poser. Utilisez toujours la bague appropriée à l'alésage central de la lame que vous désirez utiliser. (Fig. 19)

Retirez la fiche de table de la table. Retenez le flasque extérieur avec la clé coudée et desserrez l'écrou hexagonal en le tournant dans le sens inverse des aiguilles d'une montre avec la clé. Déposez ensuite le flasque extérieur.

Assemblez le flasque intérieur, la bague, la lame de scie, le flasque extérieur et l'écrou hexagonal sur l'arbre, en vous assurant que les dents de la lame pointent vers le bas à l'avant de la table. Posez toujours l'écrou hexagonal en plaçant le côté creux face au flasque extérieur. (Fig. 20)

Pour tous les pays non européens

ATTENTION :

- La bague argent à diamètre externe de 25,4 mm est posée sur l'axe en usine. La bague noire à diamètre externe de 25 mm est fournie en équipement standard. Avant de monter la lame sur l'axe, assurez-vous toujours d'avoir installé la bague appropriée à l'alésage central de la lame que vous désirez poser sur l'axe.

Pour les pays d'Europe

ATTENTION :

- La bague à diamètre externe de 30 mm est posée en usine entre les flasques intérieur et extérieur.
- Gardez la surface des flasques exempte de saletés et autres matières adhérentes, pour éviter que la lame ne glisse. Assurez-vous que la lame est posée de sorte que les dents soient alignées dans le sens de la coupe (rotation).

Pour fixer la lame en place, retenez le flasque extérieur avec la clé coudée, puis serrez l'écrou hexagonal en le tournant dans le sens des aiguilles d'une montre avec la

clé. VOUS DEVEZ SERRER L'ÉCROU HEXAGONAL FERMEMENT. (Fig. 21)

ATTENTION :

- Vous devez retenir l'écrou hexagonal prudemment avec la clé. Si vous perdez prise la clé peut glisser de l'écrou hexagonal et vous risquez de vous frapper la main contre les bords tranchants de la lame.

Pose du protecteur de lame (Fig. 22 et 23)

ATTENTION :

- Avant de poser le protecteur de lame, réglez la profondeur de coupe en position d'élévation maximale.

Pour les protecteurs de lame non européens

Enlevez le couvercle central. Insérez le couteau séparateur dans la partie du montage (support) du protège-lame. Serrez les boulons hexagonaux (A) avec la clé fournie.

Pour les protecteurs de lame européens (Fig. 24 et 25)

Enlevez le couvercle central. Insérez le couteau séparateur dans la partie du montage (support) du protège-lame. Serrez les boulons hexagonaux (A) avec la clé fournie.

Placez le protecteur de lame dans la rainure du couteau diviseur. Fixez le protecteur de lame en pivotant son levier.

Pour les protège-lames de type européen et non-européen

Le couteau diviseur est installé en usine de sorte qu'il se trouve dans l'alignement direct de la lame. S'ils ne sont pas alignés en ligne droite, desserrez les boulons hexagonaux (B) et réglez la section de montage (support) du protecteur de lame de sorte que le couteau diviseur se trouve dans l'alignement direct de la lame derrière celle-ci. Serrez ensuite les boulons hexagonaux (B) pour fixer le support. (Fig. 26)

ATTENTION :

- Si la lame et le couteau diviseur ne sont pas correctement alignés, la lame risque de se coincer dangereusement pendant l'utilisation. Assurez-vous qu'ils sont correctement alignés. Vous courez un risque de blessure grave si vous utilisez l'outil sans aligner correctement le couteau diviseur.
- Ne JAMAIS effectuer de réglages pendant que l'outil tourne. Débranchez l'outil avant d'effectuer tout réglage.
- Ne retirez pas le couteau diviseur.

Il doit y avoir un jeu d'environ 4 à 5 mm entre le couteau diviseur et les dents de la lame. Desserrez les boulons hexagonaux (A), réglez le couteau diviseur en conséquence et resserrez fermement les boulons hexagonaux (A). Fixez l'insert de table sur la table, ensuite vérifiez pour voir si le protège-lame fonctionne sans à-coups avant de couper. (Fig. 27)

Pose et réglage du garde parallèle (Fig. 28)

1) Encastrez le crochet sur la pointe du guide de coupe dans la glissière de guidage extrême, sur la table ou sous-table (R). Puis installez et poussez le guide de coupe jusqu'à ce que le support de guidage s'enclenche dans la glissière de guidage la plus proche.

Pour faire glisser le garde parallèle sur le long du rail-guide, faites pivoter le bouton du porte-garde jusqu'à mi-course.

Pour immobiliser le garde parallèle, faites pivoter complètement le bouton du porte-garde.

- 2) Pour faire coulisser le guide de coupe sur la glissière de guidage de biais, retournez la poignée complètement sur le support de guidage, sans tirer le levier sur la poignée.
- 3) Pour le libérer, tirez le levier sur la poignée et faites tourner la poignée complètement vers l'avant pendant que vous tirez le levier.

Pour vous assurer que le garde parallèle est parallèle à la lame, fixez-le d'abord à une distance de 2 à 3 mm de la lame. Soulevez la lame jusqu'à sa position d'élévation maximale. Faites une marque sur les dents de la lame à l'aide d'un crayon. Mesurez les distances (A) et (B) entre le garde parallèle et la lame. Prenez les deux mesures à partir des marques inscrites au crayon. Ces deux mesures doivent être identiques. Si le garde parallèle n'est pas parallèle à la lame, procédez comme suit :

(Fig. 29 et 30)

1. Mettez le guide de coupe dans la position coulissante.
2. Desserrez les deux boulons hexagonaux du garde parallèle à l'aide de la clé hexagonale fournie.
3. Réglez le garde parallèle jusqu'à ce qu'il soit parallèle à la lame.
4. Tournez en bas la poignée sur le guide de coupe vers l'opérateur.
5. Serrez les deux boulons hexagonaux du garde parallèle. (Fig. 31)

ATTENTION :

- Vous devez régler le garde parallèle de sorte qu'il soit parallèle à la lame, autrement il y aura risque de dangereux choc en retour.

S'il n'est pas possible de fixer solidement le garde parallèle, procédez comme suit pour le régler.

- (1) Posez le garde parallèle sur la table puis tournez le bouton jusqu'à mi-course (position libre). Serrez la vis (A) jusqu'à ce que le garde parallèle soit immobilisé. Desserrez ensuite de 1/4 à 1/2 tour. (Fig. 32 et 33)
- (2) Serrez complètement la vis (B) puis desserrez d'environ 2 tours complets.
- (3) Verrouillez le garde parallèle en tournant complètement le bouton sur le support du garde (position verrouillée).
- (4) Assurez-vous qu'il est possible d'installer le garde parallèle et de le remettre en position initiale (position ouverte).
- (5) Assurez-vous que le garde parallèle peut être glissé doucement sans sautiller lorsque le bouton se trouve à mi-course.

ATTENTION :

- Prenez garde de serrer les vis davantage que spécifié dans les instructions ci-dessous. Autrement vous risquez d'endommager les pièces serrées.

Approchez le garde parallèle complètement contre le bord de la table. Assurez-vous que le guide du porte-garde pointe vers la graduation 0. Si le guide ne pointe pas vers la graduation 0, desserrez la vis du secteur angulaire et ajustez ce dernier. (Fig. 34)

Raccordement à un aspirateur

Le raccordement de l'outil à un aspirateur ou collecteur de poussières Makita vous permettra d'effectuer un travail plus propre. (Fig. 35)

UTILISATION

ATTENTION :

- Utilisez toujours des "dispositifs d'aide" tels que bâtons-poussoirs et blocs-poussoirs lorsque vos mains ou doigts risquent d'approcher dangereusement de la lame.
- Retenez toujours la pièce fermement avec la table et le garde parallèle ou le guide de coupe d'onglet. Évitez de la plier ou de la tordre en la faisant progresser. Il y a risque de choc en retour dangereux si la pièce est pliée ou tordue.
- Ne JAMAIS retirer la pièce alors que la lame tourne encore. Si vous devez retirer la pièce avant d'avoir terminé la coupe, tournez d'abord le contact tout en tenant la pièce fermement. Attendez l'arrêt complet de la lame avant de retirer la pièce. Autrement il y a risque de dangereux chocs en retour.
- Ne JAMAIS retirer les bouts de pièces coupés alors que la lame tourne encore.
- Ne JAMAIS placer les mains ou doigts dans la trajectoire de la lame de scie. Soyez tout particulièrement prudent lors des coupes en biseau.
- Immobilisez toujours le garde parallèle fermement, autrement il y a risque de dangereux chocs en retour.
- Utilisez toujours des « aides » tels que des poussoirs lorsque vous coupez des pièces étroites ou petites.

Dispositifs d'aide

Les bâtons-poussoirs, les blocs-poussoirs et le garde auxiliaire sont des "dispositifs d'aide". Utilisez-les pour effectuer vos coupes en toute sûreté, sans avoir à toucher la lame avec une partie quelconque du corps.

Bloc-poussoir (Fig. 36)

Utilisez une pièce de contreplaqué de 19 mm. Le manche doit se trouver au centre de la pièce de contreplaqué. Collez-le avec de la colle et des vis à bois, tel qu'indiqué. Une petite pièce de bois de 9,5 mm x 8 mm x 50 mm doit toujours être collée à la pièce de contreplaqué pour éviter que la lame ne s'émousse si vous coupez dans le bloc-poussoir par erreur. (Ne jamais planter de clous dans le bloc-poussoir.)

Garde auxiliaire (Fig. 37)

Fabriquez un garde auxiliaire avec des pièces de contreplaqué de 9,5 mm et 19 mm.

Parement de bois (garde parallèle) (Fig. 38)

Il faut toujours utiliser un parement de bois lors des travaux où la lame vient très près du garde parallèle. Le parement de bois du garde parallèle doit avoir la même taille que ce dernier. Assurez-vous que le face inférieure du parement est parfaitement en contact avec la surface de la table.

Sciage en long

ATTENTION :

- Lors du sciage en long, déposez le guide de coupe d'onglet de la table.

- Pour couper des pièces longues ou larges, installez toujours des dispositifs de support adéquats derrière la table. NE PAS laisser un long panneau se déplacer ou bouger librement sur la table. La lame se coincerait et les risques de choc en retour et de blessure augmenteraient. Le dispositif de soutien doit être de la même hauteur que la table.

- Réglez la profondeur de coupe sur une position légèrement plus élevée que l'épaisseur de la pièce. (Fig. 39)
- Placez le garde parallèle sur la largeur de coupe désirée et verrouillez-le en place en faisant pivoter le manche. Avant de procéder au sciage en long, assurez-vous que l'extrémité arrière du garde parallèle est solidement immobilisée. Si elle n'est pas assez solidement immobilisée, suivez la procédure indiquée à la section intitulée "Pose et réglage du garde parallèle".
- Mettez le contact et faites doucement progresser la pièce vers la lame le long du garde parallèle.
 - Lorsque la largeur de sciage est de 150 mm ou plus, utilisez prudemment la main droite pour faire progresser la pièce. Utilisez la main droite pour garder la pièce en position contre le garde parallèle. (Fig. 40)
 - Lorsque la largeur de sciage est de 65 mm à 150 mm, utilisez le bâton-poussoir pour faire progresser la pièce. (Fig. 41)
 - Lorsque la largeur de sciage est inférieure à 65 mm, il n'est possible d'utiliser le bâton-poussoir parce qu'il frapperait contre le protecteur de lame. Utilisez le garde auxiliaire et le bloc-poussoir. Fixez le garde auxiliaire au garde parallèle avec les dispositifs de serrage "C". (Fig. 42) Faites progresser la pièce manuellement jusqu'à ce que le bout se trouve à environ 25 mm du bord avant de la table. Continuez de faire progresser la pièce en plaçant le bloc-poussoir sur le garde auxiliaire jusqu'à ce que la coupe soit terminée. (Fig. 43)

Coupe en travers

ATTENTION :

- Lorsque vous effectuez une coupe en travers, déposez le garde parallèle de la table.
- Pour couper des pièces longues ou larges, installez toujours des dispositifs de soutien adéquats sur les côtés de la table. Le dispositif de soutien doit être de la même hauteur que la table.
- Gardez toujours les mains à l'écart de la trajectoire de la lame.

Guide de coupe d'onglet (Fig. 44)

Utilisez le guide de coupe d'onglet pour les quatre types de coupe indiqués sur la figure.

ATTENTION :

- Fixez prudemment le bouton sur le guide de coupe d'onglet.
- Évitez que la pièce et le guide ne se déplacent en les installant bien solidement, tout particulièrement lors des coupes angulaires.
- Ne JAMAIS tenir ou saisir la pièce par la partie qui se détachera lors de la coupe.

- Veillez à ce que la distance entre le bout du guide d'onglet et la lame de la scie ne dépasse jamais 15 mm.

Butée fixe du guide de coupe d'onglet (Fig. 45)

Le guide de coupe d'onglet est doté de butées fixes sur des angles de 90° et 45° pour les coupes d'onglet à gauche et à droite, permettant de régler rapidement les angles de coupe d'onglet.

Pour régler l'angle de coupe d'onglet, desserrez le bouton du guide de coupe d'onglet.

Soulevez la petite plaque du guide de coupe d'onglet pour régler librement l'angle. Tournez le guide de coupe d'onglet sur l'angle désiré. Remettez la petite plaque à sa position initiale sur le guide de coupe d'onglet, et serrez le bouton fermement dans le sens des aiguilles d'une montre.

Utilisation du guide de coupe d'onglet (Fig. 46)

Faites glisser le guide de coupe d'onglet dans les rainures épaisses de la table. Desserrez le bouton du guide et alignez sur l'angle désiré (0° à 60°). Placez la pièce parfaitement contre le guide et faites-la progresser doucement vers la lame.

Parement de bois auxiliaire (guide de coupe d'onglet) (Fig. 47)

Pour empêcher un long panneau d'osciller, installez le guide de coupe d'onglet avec un panneau guide auxiliaire. Percez des orifices pour le fixer avec des boulons et écrous, en prenant soin que ces derniers ne dépassent pas la surface du parement de bois.

Transport de l'outil (Fig. 48)

Pour transporter l'outil, tenez-le par la partie indiquée sur la figure.

ATTENTION :

- Fixez toujours toutes les parties mobiles avant de transporter l'outil.
- Assurez-vous toujours que le protège-lame est bien en place avant de transporter l'outil.

ENTRETIEN

ATTENTION :

- Assurez-vous toujours que l'outil est hors tension et débranché avant d'y effectuer tout travail d'inspection ou d'entretien.
- N'utilisez jamais d'essence, de benzine, de diluant, d'alcool ou de produit similaire. Ces produits risquent de provoquer des décolorations, des déformations ou des fissures.

Nettoyage

Enlevez les sciures de bois et copeaux régulièrement. Nettoyez bien le protecteur de lame et les pièces mobiles à l'intérieur du banc de scie.

Lubrification

Pour garder le banc de scie en excellente condition et assurer une durée de service maximale, lubrifiez ou graissez les pièces mobiles et les pièces rotatives régulièrement.

Points à lubrifier :

- L'arbre fileté d'élévation de la lame

- La charnière de rotation du cadre
- Les arbres du guide d'élévation sur le moteur
- L'engrenage d'élévation de la lame
- Les rails-guides du garde parallèle
- L'arbre des leviers de verrouillage de la table auxiliaire (R)
- Les parties coulissantes de la table auxiliaire (R)

Remplacement des charbons (Fig. 49)

Déposez et vérifiez les charbons régulièrement.

Remplacez-les lorsqu'ils atteignent le repère d'usure.

Gardez les charbons propres et assurez-vous qu'ils glissent librement dans les porte-charbons. Les deux charbons doivent être remplacés en même temps. Utilisez uniquement des charbons identiques.

Retirez les bouchons de porte-charbon à l'aide d'un tournevis. Pour remplacer les charbons, déposez le protecteur de lame et la lame, puis desserrez le levier de verrouillage, inclinez le bras articulé et fixez-le sur un angle de coupe en biseau de 45°. Basculez doucement l'outil vers l'arrière. Desserrez ensuite les bouchons de porte-charbon. Déposez les charbons usés, insérez les neufs et remettez en place les bouchons de porte-charbon. (Fig. 50)

Pour assurer la SÉCURITÉ et la FIABILITÉ du produit, toute réparation et tout travail d'entretien ou de réglage doivent être effectués par un Centre de service après-vente agréé Makita, avec des pièces de rechange Makita.

ACCESSOIRES

ATTENTION :

- Ces accessoires ou pièces complémentaires sont recommandés pour l'utilisation avec l'outil Makita spécifié dans ce manuel. L'utilisation de tout autre accessoire ou pièce complémentaire peut comporter un risque de blessure. Utilisez uniquement l'accessoire ou la pièce complémentaire dans le but spécifié.

Pour obtenir plus de détails sur ces accessoires, contactez le Centre de service après-vente local Makita.

L'ensemble de support de table (accessoire)

Consultez le mode d'emploi du support de banc de scie qui est fourni avec le support de table comme accessoire optionnel.

- Lames à dents d'acier et de carbure de tungstène
- Table auxiliaire (L)
- Table auxiliaire (arrière)
- Garde parallèle
- Guide de coupe d'onglet
- Clé coudée 13 – 22
- Clé 19
- Clé hexagonale 6
- Raccord (pour raccorder le collecteur de poussières)
- Plaque auxiliaire
- Support de table
- Guide coulissant

Bruit

ENG905-1

Les niveaux de bruit pondéré A typiques ont été mesurés selon la norme EN61029 :

Niveau de pression sonore (L_{pA}) : 94 dB (A)

Niveau de puissance sonore (L_{WA}) : 107 dB (A)

Incertitude (K) : 3 dB (A)

Portez des protections auditives.

Pour les pays d'Europe uniquement ENH003-13

Déclaration de conformité CE

Nous, Makita Corporation, en tant que fabricant responsable, déclarons que les machines Makita suivantes :

Nom de la machine :

Banc de scie

N° de modèle/Type : 2704

sont fabriquées en série et

sont conformes aux directives européennes

suites :

2006/42/CE

et sont produites conformément aux normes ou

documents de normalisation suivants :

EN61029

La documentation technique est disponible auprès de

notre représentant en Europe qui est :

Makita International Europe Ltd.,

Michigan Drive, Tongwell,

Milton Keynes, Bucks MK15 8JD, Angleterre

21.04.2010



Tomoyasu Kato

Directeur

Makita Corporation

3-11-8, Sumiyoshi-cho,

Anjo, Aichi, 446-8502, JAPAN

DEUTSCH (Originalanweisungen)

Erklärung der Gesamtdarstellung

- | | | |
|---|---|--|
| 1. Lochdurchmesser 8 mm | 21. Gekröpfter Schraubenschlüssel | 43. Schraube (B) |
| 2. Std.-Unterlegscheibe mit 6 mm | 22. Sechskantmutter | 44. Schraube (A) |
| 3. Holzschraube Nr. 10 mit einer Mindestlänge von 40 mm | 23. Schraubenschlüssel | 45. Richtlinie |
| 4. 6 mm starker Halterungsschraubbolzen & zugehörige Mutter; ziehen Sie diese fest an | 24. Innerer Flansch | 46. Schrauben |
| 5. Gehrungsanschlag | 25. Ring | 47. Fläche/Kante parallel |
| 6. Parallelschlag | 26. Sägeblatt | 48. Holzschraube |
| 7. Griff | 27. Äußerer Flansch | 49. Zusammenkleben |
| 8. Sperrhebel | 28. Sägeblattschutz | 50. Holzschrauben Nr. 10 (so lang, dass sie die Hälfte der Verkleidung durchdringen) |
| 9. Pfeilzeiger | 29. Spaltkeil | 51. Schiebestock |
| 10. Handrad | 30. Montagebereich für Sägeblattschutz (Strebe) | 52. Zusatzanschlag |
| 11. Justierschraube für 90° | 31. Blatt | 53. Schiebepblock |
| 12. Justierschraube für 45° | 32. Diese beiden Abstände sollten identisch sein. | 54. QUERSCHNITT |
| 13. Schalter | 33. Sechskantschrauben (B) | 55. GEHRUNGSSCHNITT |
| 14. Vorhängeschloss | 34. Sechskantschrauben (A) | 56. ABSCHRÄGUNGSSCHNITT |
| 15. Hebel | 35. Haken | 57. KOMBINIERTER GEHRUNGSSCHNITT (WINKEL) |
| 16. Untertisch (R) | 36. Knopf | 58. Kleine Platte |
| 17. Skalierungsplatte | 37. Führungsschiene | 59. Schraube für positive Arretierung |
| 18. Schraube | 38. Skala | 60. Einkerbung |
| 19. Untertisch (Rückseite) | 39. Sechskantschrauben | 61. Grenzmarkierung |
| 20. Untertisch (L) | 40. Entriegelte Position | 62. Bürstenhalterkappe |
| | 41. Schiebeposition | 63. Schraubendreher |
| | 42. Verriegelte Position | |

TECHNISCHE ANGABEN



Modell		2704	
		(für europäische Länder)	(für außereuropäische Länder)
Öffnung für Aufsteckhalter		30 mm	25 mm und 25,4 mm
Sägeblattdurchmesser		260 mm	255 mm
Max. Sägekapazität	90°	93 mm	91 mm
	45°	64 mm	63 mm
Leerlauf-Drehzahl (min ⁻¹)		4.800	
Tischgröße (L x B)		(665 mm – 1.045 mm) x (753 mm – 1.066 mm) mit Untertischen (R) und (Rückseite)	567 mm x (753 mm - 1.066 mm) mit Untertisch (R)
Abmessungen (L x B x H) ohne ausgezogene Tische		715 mm x 753 mm x 344 mm mit Untertischen (R) und (Rückseite)	665 mm x 753 mm x 344 mm mit Untertisch (R)
Nettogewicht		34,9 kg	29,5 kg
Sicherheitsklasse		II	


- Aufgrund unserer beständigen Forschungen und Weiterentwicklungen sind Änderungen an den hier angegebenen Technischen Daten ohne Vorankündigung vorbehalten.
- Die Technischen Daten können in den einzelnen Ländern voneinander abweichen.
- Gewicht entsprechend EPTA-Verfahren 01/2003

Symbole

END215-4

Im Folgenden sind die im Zusammenhang mit diesem Werkzeug verwendeten Symbole dargestellt. Machen Sie sich vor der Benutzung des Werkzeugs unbedingt mit diesen Symbolen vertraut.

  ... Schlagen Sie in der Bedienungsanleitung nach.

 DOPPELISOLIERUNG



... Tragen Sie eine Schutzbrille.



..... Bleiben Sie mit der Hand oder den Fingern außerhalb der Reichweite des Sägeblattes.



..... Nur für EU-Länder
Werfen Sie Elektrowerkzeuge nicht in den Hausmüll!
Gemäß Europäischer Richtlinie 2002/96/EG über Elektro- und Elektronik-Altgeräte und Umsetzung in nationales Recht müssen verbrauchte

Elektrowerkzeuge getrennt gesammelt und einer umweltgerechten Wiederverwertung zugeführt werden.

Art der Nutzung ENE003-1
Das Werkzeug wurde für das Schneiden von Holz entwickelt.

Stromversorgung ENF002-1
Das Gerät darf nur an Stromquellen mit der auf dem Typenschild angegebenen Spannung und einphasigem Wechselstrom betrieben werden. Aufgrund der Doppelisolierung nach Europäischem Standard kann es auch an Steckdosen ohne Erdungskabel betrieben werden.

Allgemeine Sicherheitshinweise für Elektrowerkzeuge

GEA010-1

⚠️ WARNUNG Lesen Sie alle Sicherheitshinweise und Anweisungen sorgfältig durch. Wenn die Hinweise und Anweisungen nicht beachtet werden, besteht die Gefahr eines Stromschlags, Brands und/oder das Risiko von ernsthaften Verletzungen.

Bewahren Sie alle Hinweise und Anweisungen zur späteren Referenz gut auf.

ZUSÄTZLICHE SICHERHEITSREGELN FÜR DAS WERKZEUG

ENB095-1

BEWAHREN SIE DIESE ANWEISUNGEN AUF.

1. Tragen Sie eine Schutzbrille.
2. Verwenden Sie das Werkzeug nicht in der Nähe von brennbaren Flüssigkeiten oder Gasen.
3. Das Werkzeug darf NIEMALS mit einer eingebauten Trennschleifscheibe verwendet werden.
4. Überprüfen Sie vor der Inbetriebnahme das Sägeblatt sorgfältig auf Risse oder Beschädigungen. Ein rissiges oder beschädigtes Blatt muss sofort ersetzt werden.
5. Verwenden Sie nur Sägeblätter, die vom Hersteller empfohlen werden und der Norm EN847-1 entsprechen. Achten Sie darauf, dass der Spaltkeil nicht dicker als die durch das Sägeblatt entstehende Schnittfugenbreite und nicht dünner als das Stammblatt ist.
6. Verwenden Sie stets die in diesem Handbuch empfohlenen Zubehörteile. Die Verwendung nicht geeigneter Zubehörteile (beispielsweise der Einsatz von Trennschleifscheiben) kann zu Verletzungen führen.
7. Wählen Sie für das zu schneidende Material das richtige Sägeblatt aus.
8. Verwenden Sie keine Sägeblätter, die aus Hochgeschwindigkeitsstahl hergestellt wurden.
9. Achten Sie zur Lärmreduzierung darauf, dass das Blatt immer scharf und sauber ist.

10. Verwenden Sie richtig geschliffene Sägeblätter. Beachten Sie die maximale Geschwindigkeit, die auf dem Sägeblatt angegeben ist.
11. Reinigen Sie vor dem Einsetzen des Sägeblatts die Spindel, Flansche (insbesondere die Installationsoberfläche) und Sechskantmutter. Eine schlechte Montage kann dazu führen, dass das Blatt vibriert/flattert oder rutscht.
12. Verwenden Sie für alle Vorgänge (einschließlich aller Durchsägevorgänge), bei denen dies möglich ist, den Sägeblattschutz und Spaltkeil. Befolgen Sie bei der Installation des Blattschutzes stets die im vorliegenden Handbuch genannten Anweisungen. Als Durchsägevorgänge werden Vorgänge bezeichnet, bei denen das Blatt ganz durch das Werkstück schneidet (z.B. bei Längs- oder Querschnitten). Das Werkzeug darf NIEMALS mit einem fehlerhaften Blattschutz verwendet werden. Darüber hinaus darf der Blattschutz auf keinen Fall mit einem Strick, Faden usw. gesichert werden. Jeder unübliche Betrieb des Blattschutzes muss sofort behoben werden.
13. Wenn ein Vorgang ausgeführt wurde, bei dem der Schutz entfernt werden musste, müssen Sie den Schutz und den Spaltkeil sofort wieder befestigen.
14. Schneiden Sie keine metallenen Gegenstände wie Nägel und Schrauben. Untersuchen Sie das Werkstück auf Nägel, Schrauben und andere Fremdmaterialien, und entfernen Sie diese ggf. vor Arbeitsbeginn.
15. Entfernen Sie vor dem Einschalten des Werkzeugs alle Schraubenschlüssel, abgesägten Teile usw. vom Tisch.
16. Tragen Sie während des Betriebs NIEMALS Handschuhe.
17. Bleiben Sie mit den Händen außerhalb der Reichweite des Sägeblatts.
18. Stehen Sie oder andere Personen NIEMALS in der Arbeitslinie des Sägeblatts.
19. Vergewissern Sie sich vor dem Einschalten des Werkzeugs, dass das Blatt den Spaltkeil oder das Werkstück nicht berührt.
20. Lassen Sie das Werkzeug eine Weile laufen, bevor Sie mit ihm das eigentliche Werkstück bearbeiten. Achten Sie auf eventuelles Vibrieren oder Flattern. Dies kann auf eine fehlerhafte Montage oder ein schlecht ausgerichtetes Blatt hinweisen.
21. Das Werkzeug sollte nicht zum Fügen, Nuten oder Einkerbungen verwendet werden.
22. Tauschen Sie abgenutzte Tischeinsätze aus.
23. Nehmen Sie NIEMALS Anpassungen vor, wenn das Werkzeug eingeschaltet ist. Schalten Sie das Werkzeug vorher aus, und trennen Sie es von der Stromquelle.
24. Verwenden Sie bei Bedarf einen Schiebestock. Beim Längsschneiden schmaler Werkstücke MÜSSEN Schiebestöcke verwendet werden, damit sich Ihre Hände und Finger nicht in der Nähe des Blattes befinden.
25. Bewahren Sie den Schiebestock gut auf, wenn er nicht verwendet wird.
26. Beachten Sie insbesondere die Anweisungen zur Verringerung des RÜCKSCHLAG-Risikos. Bei einem RÜCKSCHLAG handelt es sich um eine

plötzliche Reaktion auf ein eingeklemmtes, begrenztes oder schlecht ausgerichtetes Sägeblatt. Bei einem RÜCKSCHLAG wird das Werkstück nach hinten in Richtung des Bedieners aus dem Werkzeug herausgeschleudert. RÜCKSCHLÄGE KÖNNEN SCHWER WIEGENDE VERLETZUNGEN VERURSACHEN. Beachten Sie zur Vermeidung von RÜCKSCHLÄGEN folgende Punkte: Halten Sie den Parallelanschlag parallel zum Blatt, achten Sie auf die richtige Position und den ordnungsgemäßen Betrieb des Spaltkeils und der Schutzvorrichtung, lassen Sie das Werkstück erst los, wenn es ganz am Sägeblatt vorbeigeführt wurde, und schneiden Sie kein verdrehtes oder welliges Werkstück bzw. ein Werkstück, das keine gerade Kante besitzt, die an der Anschlagführung angelegt werden kann.

27. Arbeiten Sie niemals freihändig. Freihändig bedeutet in diesem Fall, dass Sie zum Festhalten oder Führen des Werkstücks Ihre Hände anstelle eines Parallel- oder Gehrungsanschlages verwenden.
28. Greifen Sie NIEMALS um oder über das Sägeblatt. Greifen Sie NIEMALS nach einem Werkstück, wenn das Sägeblatt noch nicht völlig gestoppt ist.
29. Vermeiden Sie eine abrupte, schnelle Zufuhr des Werkstücks. Führen Sie beim Schneiden harte Werkstücke so langsam wie möglich. Das Werkstück darf bei der Zufuhr nicht verbogen oder verdreht werden. Wenn sich das Sägeblatt im Werkstück verkantet oder verkeilt, schalten Sie das Werkzeug sofort aus. Ziehen Sie den Stecker des Werkzeugs. Beseitigen Sie dann die Verkantung.
30. Wenn das Sägeblatt läuft, entfernen Sie NIEMALS abgesägte Werkstücke in der Nähe des Blatts, und berühren Sie auf keinen Fall die Schutzvorrichtung des Blatts.
31. Entfernen Sie VOR dem Sägen alle losen Äste vom Werkstück.
32. Verwenden Sie das Netzkabel ordnungsgemäß. Ziehen Sie niemals am Kabel, um das Gerät aus der Steckdose zu ziehen. Halten Sie das Kabel von Hitze, Öl, Wasser und scharfen Gegenständen und Kanten fern.
33. Der beim Schneiden entstehende Staub kann chemische Stoffe enthalten, die Krebs, Geburtsschäden oder sonstige gesundheitliche Schäden sowie eine Schädigung der Fruchtbarkeit verursachen können. Im Folgenden werden einige Beispiele solcher Stoffe genannt:
 - Bleiemission aus Werkstücken mit bleihaltigem Lack und
 - Arsen und Chrom aus chemisch behandeltem Holz.
 - Der Grad des Risikos, dem Sie ausgesetzt sind, hängt davon ab, wie oft Sie eine derartige Arbeit verrichten. So können Sie das Risiko verringern, dem Sie auf Grund solcher chemischer Stoffe ausgesetzt sind: Arbeiten Sie in einer gut belüfteten Umgebung und mit entsprechend abgenommener Sicherheitsausrüstung. Verwenden Sie beispielsweise Staubschutzmasken, die speziell für das Filtern

mikroskopisch kleiner Partikel entwickelt wurden.

34. Schließen Sie das Werkzeug beim Sägen an eine Absauganlage an.
35. Die Schutzvorrichtung kann zum Einsetzen des Werkstücks und zur Reinigung hochgehoben werden. Vergewissern Sie sich stets vor dem Einstecken des Werkzeugs, dass sich die Schutzhaube unten befindet und flach gegen den Sägertisch gepresst ist.

BEWAHREN SIE DIESE ANWEISUNGEN GUT AUF.

INSTALLATION

Aufstellen der Tischsäge (Abb. 1-3)

Stellen Sie die Tischsäge an einem gut beleuchteten Ort mit einer flachen Oberfläche auf, an dem die Säge und Sie einen guten Stand und Halt haben. Die Säge sollte in einer Umgebung aufgestellt werden, die genügend Platz für den Umgang mit Ihren Werkstücken bietet. Die Tischsäge sollte unter Verwendung der Löcher auf der Unterseite mit vier Schrauben oder Bolzen an der Werkbank oder dem Untersatz der Tischsäge befestigt werden. Wenn Sie die Tischsäge an der Werkbank befestigen, stellen Sie sicher, dass sich auf der Oberseite der Werkbank eine Öffnung befindet, deren Größe der Öffnung auf der Unterseite der Tischsäge entspricht, damit der Sägestaub durchfallen kann. Wenn die Tischsäge während des Betriebs dazu neigt, zu kippen, rutschen oder sich zu bewegen, sollte die Werkbank oder der Untersatz der Tischsäge am Boden befestigt werden.

Aufbewahrung der Zubehörteile (Abb. 4 und 5)

Der Gehrungsanschlag, das Sägeblatt und die Schraubenschlüssel können auf der linken Seite des Sockels, und der Parallelanschlag auf der rechten Seite des Sockels aufbewahrt werden.

FUNKTIONSBESCHREIBUNG

ACHTUNG:

- Schalten Sie das Werkzeug aus und ziehen Sie den Stecker, bevor Sie Einstellungen oder eine Funktionsprüfung des Werkzeugs vornehmen.

Einstellung der Schnitttiefe (Abb. 6)

Die Schnitttiefe kann durch Drehen am Griff angepasst werden. Wenn Sie den Griff im Uhrzeigersinn drehen, wird das Blatt angehoben. Beim Drehen gegen den Uhrzeigersinn wird es gesenkt.

HINWEIS:

- Wenn Sie dünnes Material schneiden, verwenden Sie eine niedrige Einstellung für die Tiefe. Auf diese Weise erhalten Sie einen klareren Schnitt.

Einstellung des Gehrungswinkels (Abb. 7)

Lockern Sie den Sperrhebel gegen den Uhrzeigersinn, und drehen Sie das Handrad, bis der gewünschte Winkel

(0° - 45°) eingestellt ist. Der Gehrungswinkel wird über den Pfeilzeiger angegeben. Sobald Sie den gewünschten Winkel erreicht haben, ziehen Sie den Sperrhebel im Uhrzeigersinn an, um die Einstellung festzulegen.

ACHTUNG:

- Achten Sie darauf, dass der Sperrhebel nach der Anpassung des Gehrungswinkels fest angezogen ist.

Einstellung positiver Arretierungen (Abb. 8 und 9)

Das Werkzeug ist mit positiven Arretierungen ausgestattet, die sich jeweils im Winkel von 90° und 45° zur Tischoberfläche befinden. Gehen Sie wie folgt vor, um die positiven Arretierungen zu prüfen und einzustellen: Drehen Sie das Handrad bis zum Anschlag. Legen Sie ein Winkeldreieck auf den Tisch, und prüfen Sie, ob sich das Sägeblatt in einem Winkel von 90° oder 45° zur Tischoberfläche befindet. Wenn das Blatt einen Winkel aus Abb. A hat, drehen Sie die Justierschrauben im Uhrzeigersinn; falls es einen Winkel aus Abb. B hat, drehen Sie die Justierschrauben gegen den Uhrzeigersinn, um die positiven Arretierungen einzustellen.

Wenn Sie die positiven Arretierungen angepasst haben, stellen Sie das Blatt auf einen Winkel von 90° zur Tischoberfläche ein. Stellen Sie dann den Pfeilzeiger so ein, dass seine rechte Ecke an der Gradeinteilung 0° ausgerichtet ist. **(Abb. 10)**

Bedienung des Schalters

Beim Hebelschalter (Abb. 11)

ACHTUNG:

- Vergewissern Sie sich vor dem Einstecken des Werkzeugs immer, dass das Werkzeug ausgeschaltet ist.

Drücken Sie zum Starten des Werkzeugs einfach den Hebelschalter nach oben. Wenn Sie das Werkzeug stoppen möchten, drücken Sie den Hebelschalter nach unten.

Die Kippschalterplatte kann gesperrt werden, indem der Bügel eines Vorhängeschlosses durch das Scharnier auf der linken Seite geführt wird. **(Abb. 12)**

Beim Knopfschalter (Abb. 13)

ACHTUNG:

- Vergewissern Sie sich vor der Inbetriebnahme, dass das Werkzeug ein- und ausgeschaltet wurde.
- Drücken Sie zum Starten des Werkzeugs auf den Knopf ON (I).
Drücken Sie zum Stoppen des Werkzeugs auf den Knopf OFF (O).

Untertisch (R) (Abb. 14 und 15)

Dieses Werkzeug wird mit dem Untertisch (R) auf der rechten Seite des Haupttisches geliefert. Drücken Sie zur Verwendung des Untertisches (R) beide Hebel auf der vorderen rechten Seite nach oben, ziehen Sie den Tisch (R) ganz heraus, und drücken Sie dann die Hebel wieder nach unten, um ihn zu sichern.

Wenn Sie den Untertisch (R) verwenden, positionieren Sie die Skalierungsplatte auf dem Untertisch so, dass sie an die Skalierungsplatte auf dem Haupttisch anschließt.

Hierfür müssen Sie die entsprechende Schraube mit einem Schraubendreher lockern. **(Abb. 16)**

Untertisch (Rückseite) (Sonderzubehör für Länder außerhalb Europas) (Abb. 17)

Wenn Sie den Untertisch (Rückseite) verwenden möchten, lockern Sie die Schraube auf der linken Seite unter dem Tisch, und ziehen Sie diesen bis zur gewünschten Länge nach hinten. Ziehen Sie die Schraube fest an, sobald Sie die gewünschte Länge erreicht haben.

HINWEIS:

- Wenn Sie während der Verwendung des Parallelenschlags den Untertisch (Rückseite) nutzen, ziehen Sie diesen mehr als 50 mm heraus, damit er nicht gegen das obere Ende des Parallelenschlags stößt.

Untertisch (L) (optionales Zubehör) (Abb. 18)

Der Untertisch (L) (optionales Zubehör) kann auf der linken Seite des Tisches montiert werden, um eine breitere Fläche zu erhalten.

MONTAGE

ACHTUNG:

- Schalten Sie das Werkzeug aus und ziehen Sie den Stecker, bevor Sie irgendwelche Arbeiten am Werkzeug vornehmen.

Bei der standardmäßigen Lieferung des Werkzeugs ab Werk sind das Sägeblatt und die Schutzvorrichtung für das Sägeblatt nicht montiert. Gehen Sie zur Montage wie folgt vor:

Montage und Demontage des Sägeblatts

ACHTUNG:

- Schalten Sie das Werkzeug aus und ziehen Sie den Stecker, bevor Sie das Sägeblatt montieren oder demontieren.
- Verwenden Sie zur Montage oder Demontage des Sägeblatts nur den bereitgestellten Steckschlüssel von Makita. Andernfalls besteht die Gefahr, dass die Sechskantschraube zu leicht oder zu fest angezogen wird. Dies kann zu Verletzungen führen.
- Verwenden Sie das unten genannte Sägeblatt. Es dürfen keine Sägeblätter verwendet werden, die nicht den Merkmalen in den vorliegenden Anweisungen entsprechen.

Für Modell	Höchststdurchm.	Mindestdurchm.	Blattstärke	Schnittfluge
2704	260 mm	230 mm	1,8 oder mehr	2 mm oder mehr

ACHTUNG:

- Überprüfen Sie vor dem Einsetzen des Sägeblatts den Öffnungsdurchmesser für den Aufsteckhalter. Verwenden Sie stets den richtigen Ring für die Aufsteckhalter-Öffnung des zu verwendenden Sägeblatts. **(Abb. 19)**

Entfernen Sie den Tischeinsatz auf dem Tisch. Halten Sie den äußeren Flansch mit dem gekröpften Schraubenschlüssel, und lockern Sie die Sechskantmutter mit dem Schlüssel gegen den Uhrzeigersinn. Entfernen Sie anschließend den äußeren Flansch.

Montieren Sie den inneren Flansch, Ring, das Sägeblatt, den äußeren Flansch und die Sechskantmutter auf dem Aufsteckhalter. Achten Sie darauf, dass die Zähne des Blattes auf der Tischvorderseite nach unten zeigen. Montieren Sie die Sechskantmutter immer so, dass ihre Seite mit der Aussparung in Richtung äußerer Flansch zeigt. (Abb. 20)

Gilt für alle außereuropäischen Länder

ACHTUNG:

- Der silberfarbene Ring mit einem Außendurchmesser von 25,4 mm ist standardmäßig auf der Spindel montiert. Der schwarze Ring mit einem Außendurchmesser von 25 mm ist im Rahmen des Standardzubehörs enthalten. Vergewissern Sie sich stets vor der Montage des Sägeblatts auf der Spindel, dass der richtige Ring für die Aufsteckhalter-Öffnung des zu verwendenden Blattes auf der Spindel montiert wird.

Gilt für europäische Länder

ACHTUNG:

- Der Ring mit einem Außendurchmesser von 30 mm ist standardmäßig zwischen dem inneren und äußeren Flansch eingesetzt.
- Achten Sie darauf, dass sich auf der Flanschoberfläche kein Schmutz oder sonstiges Fremdmaterial befindet. Andernfalls kann das Blatt rutschen. Achten Sie darauf, dass das Blatt mit den Zähnen in Schnittrichtung (Drehrichtung) eingesetzt ist.

Halten Sie zur Verankerung des Sägeblatts den äußeren Flansch mit dem gekröpften Schraubenschlüssel, und ziehen Sie dann die Sechskantmutter im Uhrzeigersinn mit dem Schraubenschlüssel an. ZIEHEN SIE DIE SECHSKANTMUTTER FEST AN. (Abb. 21)

ACHTUNG:

- Halten Sie die Sechskantmutter fest mit dem Schraubenschlüssel. Wenn Ihr Griff nicht fest genug ist, rutscht der Schraubenschlüssel möglicherweise von der Sechskantmutter ab, und Ihre Hand könnte die scharfen Blattkanten streifen.

Montage der Schutzvorrichtung für das Sägeblatt (Abb. 22 und 23)

ACHTUNG:

- Stellen Sie die Schnitttiefe vor der Montage des Blattschutzes auf den höchsten Grad ein.

Gilt für außereuropäische Schutzvorrichtungen für das Sägeblatt

Entfernen Sie die mittlere Abdeckung. Führen Sie das Spaltmesser in das Klingenschutzmontage­teil (Stütze) ein. Ziehen Sie die Sechskantschrauben (A) mit dem mitgelieferten Schraubenschlüssel fest.

Gilt für europäische Schutzvorrichtungen für das Sägeblatt (Abb. 24 und 25)

Entfernen Sie die mittlere Abdeckung. Führen Sie das Spaltmesser in das Klingenschutzmontage­teil (Stütze)

ein. Ziehen Sie die Sechskantschrauben (A) mit dem mitgelieferten Schraubenschlüssel fest. Setzen Sie den Sägeblattschutz in die Einkerbung des Spaltkeils ein. Sichern Sie den Sägeblattschutz, indem Sie den Hebel der Schutzvorrichtung drehen.

Blattschutz für europäische und außereuropäische Länder

Die Installationsposition des Spaltkeils ist werkseitig so festgelegt, dass sich das Blatt und der Spaltkeil in einer geraden Linie befinden. Sollte dies jedoch nicht der Fall sein, lockern Sie die Sechskantschrauben (B), und passen Sie den Montagebereich für den Sägeblattschutz (Strebe) so an, dass der Spaltkeil sich direkt mit dem Sägeblatt in einer Linie befindet. Ziehen Sie dann die Sechskantschrauben (B) an, um die Strebe zu sichern. (Abb. 26)

ACHTUNG:

- Wenn das Blatt und der Spaltkeil nicht korrekt ausgerichtet sind, kann es während des Betriebs zu einer gefährlichen Verkantung kommen. Achten Sie unbedingt darauf, dass die Ausrichtung stimmt. Wenn der Spaltkeil falsch ausgerichtet ist, können Sie sich bei der Verwendung des Werkzeugs schwer verletzen.
- Nehmen Sie NIEMALS Anpassungen vor, wenn das Werkzeug eingeschaltet ist. Ziehen Sie vorher den Stecker des Werkzeugs.
- Entfernen Sie den Spaltkeil nicht.

Zwischen dem Spaltkeil und den Zähnen des Blattes muss ein Abstand von 4 bis 5 mm sein. Lösen Sie die Sechskantschrauben (A), stellen Sie den Spaltkeil entsprechend ein und ziehen Sie die Sechskantschrauben (A) wieder fest. Bringen Sie den Tischeinsatz am Tisch an und prüfen Sie vor dem Schneiden, ob der Blattschutz reibungslos funktioniert. (Abb. 27)

Einbau und Einstellung des Parallelanschlags (Abb. 28)

- 1) Führen Sie den Haken an der Spitze der Reißbacke in die entferntere Führungsschiene auf dem Tisch oder Nebentisch (R); installieren Sie die Reißbacke und schieben Sie sie nach vorn, so dass der Backenhalter mit der nächsten Führungsschiene ineinander greift. Um den Parallelanschlag seitlich in der Führungsschiene zu verschieben, müssen Sie den Knopf an der Anschlagshalterung bis zur Hälfte des Transportwegs drehen. Zur Sicherung des Parallelanschlags müssen Sie den Knopf an der Anschlagshalterung ganz drehen.
- 2) Um die Reißbacke seitlich auf der Führungsschiene zu verschieben, stellen Sie den Knopf auf dem Backenhalter vollständig zurück, ohne den Hebel auf dem Knopf zu ziehen.
- 3) Um sie zu entfernen, ziehen Sie den Hebel am Knopf, und drehen Sie den Knopf vollständig nach vorne, während Sie den Hebel ziehen.

Sie können überprüfen, ob der Parallelanschlag genau parallel zum Sägeblatt verläuft, indem Sie den Parallelanschlag in einem Abstand von 2 bis 3 mm vom Blatt befestigen. Fahren Sie das Sägeblatt so weit wie möglich nach oben. Markieren Sie einen der Zähne des Sägeblatts mit einer Kreide. Messen Sie den Abstand (A) und (B) zwischen Parallelanschlag und Blatt. Erfassen Sie

mit Hilfe des Zahns, der mit der Kreide markiert wurde, beide Abmessungen. Diese sollten identisch sein. Wenn der Parallelanschlag nicht parallel zum Blatt verläuft, gehen Sie wie folgt vor: **(Abb. 29 und 30)**

1. Positionieren Sie die Reißbacke in die Schiebeposition.
2. Lockern Sie die beiden Sechskantschrauben am Parallelanschlag mit dem mitgelieferten Sechskantschlüssel.
3. Stellen Sie den Parallelanschlag so ein, dass er parallel zum Blatt verläuft.
4. Drehen Sie den Knopf auf der Reißbacke in Richtung Bedienungsmann nach unten.
5. Ziehen Sie die beiden Sechskantschrauben am Parallelanschlag an. **(Abb. 31)**

ACHTUNG:

- Der Parallelanschlag muss unbedingt so eingestellt werden, dass er parallel zum Sägeblatt verläuft, da es andernfalls zu einem gefährlichen Rückschlag kommen kann.

Wenn der Parallelanschlag nicht fest angezogen werden kann, richten Sie ihn mit Hilfe der folgenden Verfahrensweise aus.

- (1) Setzen Sie den Parallelanschlag auf dem Tisch auf und drehen Sie anschließend den Drehknopf in die mittlere Position (Schiebeposition). Ziehen Sie die Schraube (A) fest, bis der Parallelanschlag nicht mehr bewegt werden kann. Lösen Sie diese dann um 1/4 bis 1/2 Umdrehung. **(Abb. 32 und 33)**
- (2) Ziehen Sie die Schraube (B) ganz an und lösen Sie diese anschließend um 2 ganze Umdrehungen.
- (3) Arretieren Sie den Parallelanschlag, indem Sie den Drehknopf am Backenhalter festdrehen (verriegelte Stellung).
- (4) Vergewissern Sie sich, dass der Parallelanschlag in der ursprünglichen Position (entriegelte Position) befestigt und entfernt werden kann.
- (5) Vergewissern Sie sich, dass sich der Parallelanschlag weich und ohne Rucken verschieben lässt, wenn der Drehknopf in der mittleren Position ist.

ACHTUNG:

- Achten Sie darauf, dass Sie die Schrauben nicht fester als mit den in den obigen Anleitungen angegebenen Werten festziehen. Zuwiderhandlungen können die befestigten Teile beschädigen.

Heben Sie den Parallelanschlag an, bis er bündig mit der Seite des Blattes ist. Vergewissern Sie sich, dass die Richtlinie an der Halterung des Anschlags auf die Gradeinteilung 0 zeigt. Wenn die Richtlinie nicht auf die Gradeinteilung 0 zeigt, lockern Sie die Schraube an der Skalierungsplatte, und stellen Sie diese Platte entsprechend ein. **(Abb. 34)**

Anschluss an einen Staubsauer

Die Reinigung kann über den Anschluss des Werkzeugs an einen Staubsauger von Makita oder an eine Staubabsaugungsvorrichtung erfolgen. **(Abb. 35)**

BETRIEB

ACHTUNG:

- Verwenden Sie stets „Hilfsmittel“ wie beispielsweise Schiebestöcke und Schiebelöcke, wenn die Gefahr

besteht, dass Ihre Hände oder Finger in die Nähe des Sägeblatts geraten.

- Halten Sie das Werkstück stets fest am Tisch und dem Parallel- oder Gehrungsanschlag. Das Werkstück darf bei der Zufuhr nicht verbogen oder verdreht werden. Bei einem verbogenen oder verdrehten Werkstück kann es zu gefährlichen Rückschlägen kommen.
- Ziehen Sie das Werkstück NIEMALS zurück, während das Sägeblatt läuft. Wenn Sie das Werkstück zurückziehen müssen, bevor ein Schnitt vollständig ausgeführt wurde, schalten Sie zuerst das Werkzeug aus. Halten Sie dabei das Werkstück fest. Warten Sie, bis das Sägeblatt ganz gestoppt ist, und ziehen Sie das Werkstück erst dann zurück. Andernfalls kann es zu gefährlichen Rückschlägen kommen.
- Entfernen Sie NIEMALS abgesägtes Material, solange das Sägeblatt läuft.
- Halten Sie Ihre Hände oder Finger NIEMALS in den Pfad des Sägeblatts. Seien Sie besonders bei Gehrungsschnitten vorsichtig.
- Der Parallelanschlag muss immer gut gesichert sein, damit keine gefährlichen Rückschläge auftreten.
- Verwenden Sie beim Schneiden schmaler Werkstücke stets „Arbeitshilfen“, wie Spannhilfen oder Schraubstöcke.

Hilfsmittel

Zu den so genannten „Hilfsmitteln“ zählen Schiebestöcke, Schiebelöcke oder Zusatzanschläge. Mit diesen Mitteln können ungefährliche Schnitte gemacht werden, bei denen der Bediener das Sägeblatt mit keinem Körperteil berühren muss.

Schiebelock (Abb. 36)

Verwenden Sie ein 19 mm starkes Stück Sperrholz. Der Griff sollte sich in der Mitte des Sperrholzstücks befinden. Befestigen Sie diesen wie abgebildet mit Klebstoff und Holzschrauben. Sie müssen immer ein kleines Holzstück mit den Maßen 9,5 mm x 8 mm x 50 mm am Sperrholz ankleben, damit das Sägeblatt nicht abstumpft, wenn der Bediener versehentlich in den Schiebelock schneidet. (Im Schiebelock dürfen niemals Nägel verwendet werden.)

Zusatzanschlag (Abb. 37)

Verwenden Sie für die Herstellung eines Zusatzanschlags Sperrholzstücke mit Abmessungen zwischen 9,5 mm und 19 mm.

Holzverkleidung (Parallelanschlag) (Abb. 38)

Für den Fall von Arbeitsgängen, bei denen das Sägeblatt in die Nähe des Parallelanschlags gerät, sollte eine Holzverkleidung verwendet werden. Die Größe der Holzverkleidung für den Parallelanschlag sollte der Größe des Parallelanschlags selbst entsprechen. Vergewissern Sie sich, dass die Unterseite der Verkleidung mit der Tischoberfläche bündig ist.

Längsschnitte

ACHTUNG:

- Entfernen Sie bei Längsschnitten den Gehrungsanschlag vom Tisch.
- Sorgen Sie beim Schneiden langer oder großer Werkstücke immer für eine adäquate Auflage hinter dem Tisch. Ein langes Brett DARF NICHT auf dem Tisch rutschen oder sich hin- und herbewegen. In

diesem Fall kann das Sägeblatt eingeklemmt werden, wodurch sich die Gefahr von Rückschlägen und Verletzungen erhöht. Die Auflage sollte die gleiche Höhe wie der Tisch haben.

1. Stellen Sie die Schnitttiefe ein wenig höher ein als die Stärke des Werkstücks. **(Abb. 39)**
2. Stellen Sie den Parallelanschlag auf die gewünschte Schnittbreite ein, und verankern Sie diesen, indem Sie am Griff drehen. Vergewissern Sie sich vor dem Schnitvorgang, dass die hintere Seite des Parallelanschlags fest gesichert ist. Ist dies nicht der Fall, führen Sie die Schritte aus, die im Abschnitt „Einbau und Einstellung des Parallelanschlags“ beschrieben sind.
3. Schalten Sie das Werkzeug ein, und schieben Sie das Werkstück langsam entlang des Parallelanschlags in das Sägeblatt.
 - (1) Wenn die Schnittbreite mindestens 150 mm beträgt, schieben Sie das Werkstück vorsichtig mit Ihrer rechten Hand. Drücken Sie das Werkstück mit Ihrer linken Hand gegen den Parallelanschlag, damit das Werkstück in der richtigen Position bleibt. **(Abb. 40)**
 - (2) Wenn die Schnittbreite zwischen 65 mm und 150 mm beträgt, schieben Sie das Werkstück mit dem Schiebestock. **(Abb. 41)**
 - (3) Wenn die Schnittbreite weniger als 65 mm beträgt, kann der Schiebestock nicht verwendet werden, da er an den Sägeblattschutz stoßen würde. In diesem Fall müssen der Zusatzanschlag und der Schiebblock verwendet werden. Befestigen Sie den Zusatzanschlag mit Hilfe von zwei Schraubzwingen (C-Form) am Parallelanschlag. **(Abb. 42)**
Schieben Sie das Werkstück mit der Hand, bis sich das Ende etwa 25 mm von der vorderen Tischkante entfernt befindet. Schieben Sie das Werkstück jetzt mit dem Schiebblock auf dem Zusatzanschlag, bis der Schnitvorgang abgeschlossen ist. **(Abb. 43)**

Querschnitt

ACHTUNG:

- Für Querschnitt muss der Parallelanschlag vom Tisch entfernt werden.
- Sorgen Sie beim Schneiden langer oder großer Werkstücke immer für eine adäquate Auflage neben dem Tisch. Die Auflage sollte die gleiche Höhe wie der Tisch haben.
- Halten Sie Ihre Hände stets von der Schnittlinie des Sägeblatts fern.

Gehrungsanschlag (Abb. 44)

Verwenden Sie den Gehrungsanschlag für die vier Schnittarten in der Abbildung.

ACHTUNG:

- Sichern Sie den Knopf am Gehrungsanschlag sorgfältig.
- Achten Sie durch eine ausreichende Befestigung darauf, dass Werkstück und Anschlag nicht verrutschen können. Dies ist besonders beim Winkelschnitt wichtig.
- Halten oder greifen Sie NIEMALS nach dem Teil des Werkstücks, der abgèsägt werden soll.

- Stellen Sie den Abstand zwischen dem Ende des Gehrungsmessgeräts und dem Sägeblatt so ein, dass er nicht mehr als 15 mm beträgt.

Positive Arretierungen des Gehrungsanschlags (Abb. 45)

Der Gehrungsanschlag enthält zur Schnelleinstellung von Gehrungswinkeln positive Arretierungen von 90° und 45° für die Gehrungswinkel (rechts und links).

Lockern Sie zur Einstellung des Gehrungswinkels den Knopf am Gehrungsanschlag.

Wenn Sie eine Freieinstellung vornehmen möchten, heben Sie die kleine Platte am Gehrungsanschlag an. Drehen Sie den Gehrungsanschlag bis zum gewünschten Gehrungswinkel. Setzen Sie die kleine Platte am Gehrungsanschlag wieder in ihre ursprüngliche Position, und ziehen Sie den Knopf im Uhrzeigersinn fest an.

Verwendung des Gehrungsanschlags (Abb. 46)

Schieben Sie den Gehrungsanschlag in die breiten Einkerbungen im Tisch. Lockern Sie den Knopf am Anschlag, und stellen Sie den gewünschten Winkel ein (0° bis 60°). Setzen Sie das Stück bündig am Anschlag an, und schieben Sie es langsam nach vorne in das Sägeblatt.

Zusätzliche Holzverkleidung (Gehrungsanschlag) (Abb. 47)

Damit ein langes Brett nicht flattert, verwenden Sie ein zusätzliches Anschlagsbrett für den Gehrungsanschlag. Befestigen Sie dieses mit Bolzen/Muttern, nachdem Sie die entsprechenden Löcher gebohrt haben. Die Befestigungselemente dürfen jedoch nicht von der Brettfläche abstehen.

Tragen des Werkzeugs (Abb. 48)

Halten Sie das Werkzeug beim Tragen an den in der Abbildung dargestellten Teilen.

ACHTUNG:

- Sichern Sie immer alle beweglichen Teile, bevor Sie das Werkzeug transportieren.
- Stellen Sie immer sicher, dass der Blattschutz angebracht ist, bevor Sie das Werkzeug transportieren.

WARTUNG

ACHTUNG:

- Schalten Sie stets das Werkzeug aus und ziehen Sie den Stecker, bevor Sie Inspektionen oder Wartungsarbeiten am Werkzeug vornehmen.
- Verwenden Sie zum Reinigen niemals Kraftstoffe, Benzin, Verdünnern, Alkohol oder ähnliches. Dies kann zu Verfärbungen, Verformungen oder Rissen führen.

Reinigung

Reinigen Sie das Gerät von Zeit zu Zeit von Sägestaub und -spänen. Die Schutzvorrichtung für das Sägeblatt und die beweglichen Teile in der Tischsäge müssen sorgfältig gereinigt werden.

Schmierung

Zur Gewährleistung eines optimalen Betriebszustands und einer langen Lebensdauer müssen die beweglichen und die sich drehenden Teile von Zeit zu Zeit geölt oder eingefettet werden.

Einzufettende bzw. einzuölende Bereiche:

- Gewindeschraft zum Anheben des Sägeblatts
- Drehgelenk für den Rahmen
- Führungsschäfte am Motor für die Anhebung
- Getriebe für die Anhebung des Sägeblatts
- Führungsschienen für den Parallelanschlag
- Schaft der Sperrhebel des Untertisches (R)
- Beweglicher Teil des Untertisches (R)

Ersetzen der Kohlebürsten (Abb. 49)

Entfernen und überprüfen Sie die Kohlebürsten in regelmäßigen Abständen. Ersetzen Sie diese, wenn sie bis zur Grenzmarkierung abgenutzt sind. Halten Sie die Kohlebürsten sauber und sorgen Sie dafür, dass sie locker in den Halterungen liegen. Beide Kohlebürsten sollten gleichzeitig ersetzt werden. Verwenden Sie nur identische Kohlebürsten.

Verwenden Sie einen Schraubendreher, um die Bürstenhalterkappen zu entfernen. Entfernen Sie zum Austausch der Kohlebürsten die Schutzvorrichtung des Sägeblatts sowie das Sägeblatt selbst, und lockern Sie dann den Sperrhebel, kippen Sie den Sägekopf, und sichern Sie diesen in einem Winkel von 45°. Legen Sie das Werkzeug vorsichtig nach hinten. Lockern Sie dann die Bürstenhalterkappe. Entnehmen Sie die verbrauchten Kohlebürsten, legen Sie die neuen ein und bringen Sie die Bürstenhalterkappen wieder fest an. **(Abb. 50)**

Um die SICHERHEIT und ZUVERLÄSSIGKEIT des Produkts zu gewährleisten, sollten Reparaturen, Wartungsarbeiten und Einstellungen nur durch von Makita autorisierte Service Center durchgeführt und immer Makita-Ersatzteile verwendet werden.

ZUBEHÖR

ACHTUNG:

- Die folgenden Zubehör- und Zusatzteile werden für das in diesem Handbuch beschriebene Makita-Werkzeug empfohlen. Die Verwendung anderer Zubehör- und Zusatzteile kann zu Personenschäden führen. Verwenden Sie Zubehör- und Zusatzteile nur für den vorgesehenen Zweck.

Informationen zu diesem Zubehör erhalten Sie bei einem Makita-Service Center in Ihrer Nähe.

Untersatz der Tischsäge (Zubehör)

Bitte lesen Sie die Hinweise zum Untersatz der Tischsäge, der als Sonderzubehör mit Ihrer Tischsäge geliefert wird, in der Bedienungsanleitung.

- Sägeblätter mit Stahl- und Hartmetallschneide
- Untertisch (L)
- Untertisch (Rückseite)
- Parallelanschlag
- Gehrungsanschlag
- Gekröpfter Schraubenschlüssel 13 - 22
- Schlüssel 19
- Sechskantschlüssel 5
- Verbindungsstück (für den Anschluss an eine Absauganlage)
- Zusatzplatte
- Untersatz der Tischsäge
- Schiebeführen

Schall

ENG905-1

Typischer A-bewerteter Schallpegel nach EN61029:

Schalldruckpegel (L_{pA}): 94 dB (A)

Schalleistungspegel (L_{WA}): 107 dB (A)

Abweichung (K): 3 dB (A)

Tragen Sie Gehörschutz.

Nur für europäische Länder

ENH003-13

EG-Konformitätserklärung

Wir, Makita Corporation als verantwortlicher

Hersteller, erklären, dass die folgenden Geräte der

Marke Makita:

Bezeichnung des Geräts:

Tischsäge

Nummer / Typ des Modells: 2704

in Serienfertigung hergestellt werden und

den folgenden Richtlinien der Europäischen Union genügen:

2006/42/EG

Außerdem werden die Geräte gemäß den folgenden Standards oder Normen gefertigt:

EN61029

Die technische Dokumentation erfolgt durch unseren Bevollmächtigten in Europa:

Makita International Europe Ltd.,

Michigan Drive, Tongwell,

Milton Keynes, Bucks MK15 8JD, England

21. 4. 2010



Tomoyasu Kato
Direktor

Makita Corporation

3-11-8, Sumiyoshi-cho,

Anjo, Aichi, 446-8502, JAPAN

ITALIANO (Istruzioni originali)

Spiegazione della vista generale

- | | | |
|---|--|--|
| 1. Foro con diametro 8 mm | 23. Chiave | 45. Linea guida |
| 2. Rondella standard 6 mm | 24. Flangia interna | 46. Viti |
| 3. N. 10 viti da legno lunghezza minima 40 mm | 25. Anello | 47. Fronte/bordi paralleli |
| 4. Bullone e dado di fissaggio da 6 mm da fissare accuratamente | 26. Lama della sega | 48. Vite da legno |
| 5. Guida per agnatura | 27. Flangia esterna | 49. Incollare |
| 6. Guida di taglio | 28. Coprilama | 50. N. 10 viti da legno di lunghezza sufficiente a entrare per metà nello spessore |
| 7. Maniglia | 29. Coltello separatore | 51. Bacchetta di spinta |
| 8. Leva di blocco | 30. Supporto di montaggio coprilama (supporto) | 52. Guida ausiliaria |
| 9. Indicatore a freccia | 31. Lama | 53. Spingipezzo |
| 10. Volantino | 32. Questi due spazi devono essere uguali. | 54. TAGLIO TRASVERSALE |
| 11. Vite di regolazione 90° | 33. Bulloni esagonali (B) | 55. AUGNATURA |
| 12. Vite di regolazione 45° | 34. Bulloni esagonali (A) | 56. SMUSSATURA |
| 13. Interruttore | 35. Gancio | 57. AUGNATURA COMPOSITA (ANGOLI) |
| 14. Lucchetto | 36. Manopola | 58. Placchetta |
| 15. Leva | 37. Binario guida | 59. Vite per tacche di arresto |
| 16. Prolunga Dx | 38. Riga | 60. Scanalatura |
| 17. Piastra di misurazione | 39. Bulloni esagonali | 61. Indicatore limite |
| 18. Vite | 40. Posizione di sblocco | 62. Coperchio supporto della spazzola |
| 19. Prolunga posteriore | 41. Posizione di movimento | 63. Cacciavite |
| 20. Prolunga Sx | 42. Posizione di blocco | |
| 21. Chiave curva | 43. Vite (B) | |
| 22. Dado esagonale | 44. Vite (A) | |

CARATTERISTICHE TECNICHE

Modello		2704	
		(per i Paesi europei)	(per i Paesi non europei)
Foro per l'albero		30 mm	25 mm e 25,4 mm
Diametro lama		260 mm	255 mm
Capacità max di taglio	90°	93 mm	91 mm
	45°	64 mm	63 mm
Velocità senza carico (min ⁻¹)		4.800	
Dimensioni banco (Lungh. x Largh.)		(665 mm - 1.045 mm) x (753 mm - 1.066 mm) con prolunga Dx e posteriore	567 mm x (753 mm - 1.066 mm) con prolunga Dx
Dimensioni (lungh. x largh. x alt.) con prolunghe non estratte		715 mm x 753 mm x 344 mm con prolunga Dx e posteriore	665 mm x 753 mm x 344 mm con prolunga Dx
Peso netto		34,9 kg	29,5 kg
Classe di sicurezza		II/II	

- Le caratteristiche tecniche riportate di seguito sono soggette a modifiche senza preavviso in virtù del nostro programma continuo di ricerca e sviluppo.
- Le caratteristiche tecniche possono differire da paese a paese.
- Peso determinato in conformità con la EPTA-Procedure 01/2003

Simboli

END215-4

Il seguente elenco riporta i simboli utilizzati per questo utensile. È importante comprenderne il significato prima di utilizzare l'utensile.



..... Non avvicinare mani o dita alla lama.



..... Solo per Paesi UE
Non gettare le apparecchiature elettriche tra i rifiuti domestici.
Secondo la Direttiva Europea 2002/96/CE sui rifiuti di apparecchiature elettriche ed elettroniche e la sua attuazione in conformità alle norme nazionali, le apparecchiature elettriche esauste devono essere raccolte separatamente, al fine di essere riciclate in modo eco-compatibile.



... Leggere il manuale di istruzioni.



..... ISOLAMENTO DOPPIO



... Utilizzare occhiali di protezione.

Uso previsto

ENE003-1

Questo utensile è progettato per il taglio di legno.

Alimentazione

ENF002-1

L'utensile deve essere collegato a una presa di energia elettrica con la stessa tensione di quella indicata sulla targhetta e può essere azionato soltanto da energia elettrica a corrente alternata monofase. In conformità con le norme europee, i circuiti di alimentazione dispongono di un isolamento doppio, e quindi l'utensile può essere utilizzato anche con prese prive del collegamento di massa.

Avvertenze generali di sicurezza per l'uso dell'utensile

GEA010-1

⚠ AVVERTENZA Leggere attentamente tutte le avvertenze di sicurezza e le istruzioni. La mancata osservanza delle istruzioni e delle avvertenze riportate di seguito potrebbe provocare scosse elettriche, incendi e/o lesioni gravi.

Conservare le avvertenze e le istruzioni per riferimenti futuri.

ULTERIORI REGOLE DI SICUREZZA PER L'UTENSILE

ENB095-1

CONSERVARE QUESTE ISTRUZIONI.

1. Indossare una protezione per gli occhi.
2. Non utilizzare l'utensile in presenza di gas o liquidi infiammabili.
3. NON utilizzare MAI l'utensile con una mola a disco abrasivo.
4. Prima di utilizzare l'utensile, controllare attentamente la lama al fine di verificare l'assenza di fessure o danni. Sostituire immediatamente la lama in caso di fessure o danni.
5. Utilizzare esclusivamente le lame per sega consigliate dal produttore e conformi alla norma EN847-1. Prestare particolare attenzione affinché lo spessore del coltello separatore non sia più spesso del taglio prodotto dalla lama né più sottile del corpo della lama stessa.
6. Utilizzare esclusivamente gli accessori indicati nel presente Manuale. L'uso di accessori inappropriati, ad esempio mole a disco abrasivo, può determinare lesioni personali.
7. Selezionare la lama appropriata per il materiale da tagliare.
8. Non utilizzare lame di taglio prodotte con acciaio rapido.
9. Per ridurre l'emissione di rumore, assicurarsi che la lama sia affilata e pulita.
10. Utilizzare lame di taglio affilate. Rispettare la velocità massima indicata per la lama di taglio.
11. Prima di installare la lama, pulire l'asse, le flange (in particolare quella della superficie di installazione) e il dado esagonale. Un'installazione non accurata può determinare vibrazioni, oscillazioni o slittamenti della lama.

12. Utilizzare il coprilama e il coltello separatore per tutte le operazioni che lo consentano, inclusi tutti i tagli passanti. Installare il coprilama seguendo le istruzioni incluse in questo manuale. I tagli passanti sono quelli in cui la lama taglia completamente il pezzo in lavorazione, ad esempio il taglio trasversale o longitudinale. NON utilizzare MAI l'utensile con un coprilama difettoso o bloccato da corde, lacci e così via. È necessario correggere immediatamente qualsiasi anomalia nel funzionamento del coprilama.
13. Reinstallare il coprilama e il coltello separatore subito dopo aver concluso le operazioni che ne hanno richiesto la rimozione.
14. Non tagliare oggetti metallici come chiodi e viti. Prima della sessione di lavoro, controllare e rimuovere tutti i chiodi, le viti e altri materiali estranei dal pezzo in lavorazione.
15. Prima di azionare l'interruttore, rimuovere dal banco chiavi, residui della lavorazione e così via.
16. NON indossare MAI guanti durante la lavorazione.
17. Tenere le mani lontane dalla linea di taglio della lama.
18. NON stare né consentire ad altri di stare in linea con il percorso della lama di taglio.
19. Prima di accendere l'interruttore, verificare che la lama non tocchi il coltello separatore o il pezzo in lavorazione.
20. Prima di eseguire il taglio del pezzo in lavorazione, azionare l'utensile e lasciarlo acceso per individuare eventuali vibrazioni o oscillazioni che potrebbero indicare un'installazione non corretta o un bilanciamento insufficiente della lama.
21. Non utilizzare lo strumento per realizzare fenditure, giunti a maschio e femmina o scanalature.
22. Sostituire gli inserti del banco logorati.
23. NON apportare regolazioni quando l'utensile è in movimento. Prima di qualsiasi regolazione, spegnere l'utensile.
24. Utilizzare uno spingilegno se necessario. Lo spingilegno DEVE essere utilizzato per tagliare longitudinalmente pezzi di spessore ridotto in modo da tenere mani e dita distanti dalla lama.
25. Riporre lo spingilegno dopo l'uso.
26. Prestare particolare attenzione per evitare il rischio di CONTRACCOLPI. Un CONTRACCOLPO è una reazione improvvisa dovuta a frizioni, ostacoli o disallineamenti della lama di taglio. I CONTRACCOLPI determinano l'espulsione dall'utensile del pezzo in lavorazione nella direzione dell'operatore. I CONTRACCOLPI POSSONO DETERMINARE GRAVI LESIONI PERSONALI. Per evitare CONTRACCOLPI: tenere affilata la lama, mantenere la guida di taglio parallela alla lama, utilizzare il coltello separatore e il coprilama controllandone l'efficienza, evitare di estrarre il pezzo in lavorazione prima che abbia superato per intero la lama e di tagliare longitudinalmente pezzi contorti, curvi o privi di un bordo dritto da utilizzare con la guida di taglio.
27. Non eseguire alcuna operazione a mano libera, ossia utilizzando le mani per tenere o guidare il

pezzo in lavorazione anziché la guida di taglio o la guida per agnatura.

28. **NON** estendersi in prossimità o sopra la lama di taglio. **NON** recuperare il pezzo in lavorazione prima che la lama di taglio sia ferma.
29. Evitare di spingere il pezzo in lavorazione troppo velocemente o in modo discontinuo. Spingere i pezzi di legno duro in lavorazione con la minore velocità possibile. Evitare di curvare o torcere i pezzi in lavorazione durante il taglio. Qualora la lama si arresti o si inceppi nel pezzo in lavorazione, spegnere immediatamente l'utensile. Scollegare l'utensile, quindi eliminare l'inceppamento.
30. **NON** rimuovere residui del taglio in prossimità della lama e **NON** toccare il coprilama mentre l'utensile è in azione.
31. Estrarre eventuali nodi mobili dal pezzo in lavorazione PRIMA di iniziare il taglio.
32. Non torcere il cavo. Non stratonare il cavo per scollegarlo dalla presa. Mantenere il cavo lontano da calore, olio, acqua e bordi taglienti.
33. La polvere creata durante il taglio contiene prodotti chimici che si sono dimostrati cancerogeni, teratogeni o che costituiscono un pericolo biologico. L'elenco seguente indica alcuni esempi di questi prodotti chimici.
 - piombo derivante da materiale verniciato con prodotti a base di piombo;
 - arsenico e cromo derivanti da legname trattato chimicamente.
 - I rischi dovuti all'esposizione ai prodotti chimici dipendono dalla frequenza di questo tipo di lavorazione. Per ridurre i rischi dovuti all'esposizione ai prodotti chimici: operare in un ambiente ben ventilato e utilizzare protezioni conformi alle normative, ad esempio le mascherine antipolvere appositamente progettate per il filtraggio di particelle microscopiche.
34. Durante il taglio, collegare l'utensile a un dispositivo di aspirazione della polvere.
35. Il coprilama può essere sollevato durante le operazioni preliminari al taglio oppure per pulirlo. Prima di azionare l'utensile, assicurarsi di aver abbassato il coprilama contro il banco sega.

CONSERVARE QUESTE ISTRUZIONI.

INSTALLAZIONE

Posizionamento del banco sega (Fig. 1 - 3)

Collocare il banco sega in un'area livellata e ben illuminata che consenta di mantenere appoggio ed equilibrio corretti. L'area deve essere sufficientemente spaziosa per consentire di manovrare agevolmente i pezzi in lavorazione. Fissare l'utensile al banco di lavoro o al supporto con quattro viti o bulloni utilizzando gli appositi fori presenti nella parte inferiore. Durante il fissaggio dell'utensile al banco di lavoro, assicurarsi che nella parte superiore del banco di lavoro sia presente un'apertura delle stesse dimensioni di quella della parte inferiore del

banco sega in modo che la polvere possa attraversarle entrambe.

Qualora durante il funzionamento si riscontrassero indizi di spostamento, scorrimento o ribaltamento del banco sega, è necessario fissare al pavimento il banco di lavoro o il supporto del banco sega.

Conservazione degli accessori (Fig. 4 e 5)

La guida per agnatura, le chiavi e la lama possono essere collocate nella parte sinistra della base, mentre la guida di taglio può essere collocata nella parte destra.

DESCRIZIONE FUNZIONALE

ATTENZIONE:

- Prima di regolare o controllare il funzionamento dell'utensile, accertarsi di averlo spento e scollegato dalla rete elettrica.

Regolazione della profondità di taglio (Fig. 6)

Per regolare la profondità di taglio ruotare la maniglia. Ruotare la maniglia in senso orario per alzare la lama o in senso antiorario per abbassarla.

NOTA:

- Per ottenere un taglio più accurato di materiali sottili, ridurre la profondità di taglio.

Regolazione dell'angolo di taglio obliquo (Fig. 7)

Allentare la leva di blocco ruotandola in senso antiorario e ruotare il volantino fino a raggiungere l'angolo desiderato (0° - 45°). L'angolo di taglio è indicato dall'indicatore a freccia.

Una volta impostato l'angolo desiderato, fissare la regolazione ruotando la leva di blocco in senso orario.

ATTENZIONE:

- Dopo aver aggiustato l'angolo, accertarsi di aver serrato la leva di blocco.

Regolazione delle tacche di arresto (Fig. 8 e 9)

L'utensile è dotato di tacche di arresto in corrispondenza di 90° e 45° sulla superficie del banco. Per controllare e regolare le tacche di arresto procedere come segue: Spostare il volantino il più lontano possibile ruotandolo. Collocare un regolo triangolare sul banco e controllare l'angolo della lama rispetto alla superficie (90° o 45°). Per regolare le tacche di arresto: se l'angolo della lama corrisponde a quello della Fig. A, ruotare le vite di regolazione in senso orario; se l'angolo della lama corrisponde a quello della Fig. B, ruotare le vite di regolazione in senso antiorario.

Dopo aver regolato le tacche di arresto, posizionare la lama a 90° rispetto alla superficie del banco. Quindi regolare l'indicatore a freccia affinché il bordo destro sia allineato all'indicazione 0°. (Fig. 10)

Azionamento dell'interruttore

Interruttori a leva (Fig. 11)

ATTENZIONE:

- Prima di collegare l'utensile alla rete elettrica, accertarsi che sia spento.

Per accendere l'utensile sollevare la leva dell'interruttore.

Per spegnerlo abbassare la leva dell'interruttore.

È possibile bloccare la piastra incernierata della leva dell'interruttore inserendo il lucchetto nella cerniera presente sul lato sinistro. (Fig. 12)

Interruttori a pulsante (Fig. 13)

ATTENZIONE:

- Prima di utilizzarlo, accertarsi di aver acceso e spento l'utensile.

Per accendere l'utensile premere il pulsante ON (I).

Per spegnerlo premere il pulsante OFF (O).

Prolunga Dx (Fig. 14 e 15)

L'utensile viene fornito con una prolunga Dx presente sul lato destro del banco principale. Per utilizzare la prolunga Dx, sollevare entrambe le leve della parte frontale, estrarre completamente la prolunga Dx e quindi abbassare le leve per fissarla.

Se si utilizza la prolunga Dx, allentare con un cacciavite la vite della piastra di misurazione della prolunga e posizionare la piastra in modo da renderla consequenziale rispetto alla piastra del banco. (Fig. 16)

Prolunga (posteriore)

(accessorio opzionale per i paesi non europei) (Fig. 17)

Per utilizzare la prolunga posteriore del banco sega, allentare le viti sulle parti sinistra e destra sotto il banco ed estrarla fino a raggiungere la lunghezza desiderata. Alla lunghezza desiderata, serrare saldamente le viti.

NOTA:

- Quando si utilizzano insieme la prolunga posteriore e la guida di taglio, estrarre la prolunga posteriore per più di 50 in modo che non colpisca l'estremità superiore della guida di taglio.

Prolunga Sx (accessorio opzionale) (Fig. 18)

Per aumentare lo spazio a disposizione, installare la prolunga Sx nella parte sinistra del banco.

MONTAGGIO

ATTENZIONE:

- Prima di iniziare qualsiasi lavoro sull'utensile, accertarsi di averlo spento e scollegato dalla rete elettrica.

L'utensile viene fornito con la lama di taglio e il coprilama non installati. Per il montaggio procedere come segue:

Installazione o rimozione della lama di taglio

ATTENZIONE:

- Prima di installare o rimuovere la lama, accertarsi di aver spento e scollegato dalla rete elettrica l'utensile.

- Per installare o rimuovere la lama utilizzare solo la chiave a tubo fornita da Makita. In caso contrario il fissaggio del bullone esagonale potrebbe risultare eccessivo o insufficiente determinando il rischio di lesioni.
- Utilizzare la lama indicata di seguito. Non utilizzare lame di taglio non conformi alle caratteristiche specificate in queste istruzioni.

Modello	Diam. max	Diam. min	Spessore lama	Taglio
2704	260 mm	230 mm	1,8 mm o meno	2 mm o più

ATTENZIONE:

- Prima di installare la lama controllare il diametro del foro dell'albero. Utilizzare sempre l'anello appropriato per il foro dell'albero della lama da utilizzare. (Fig. 19)
- Rimuovere l'inserto dal banco. Tenere la flangia esterna con la chiave curva e allentare il dado esagonale ruotandolo in senso antiorario con la chiave. Rimuovere la flangia esterna.
- Montare la flangia interna, l'anello, la lama, la flangia esterna e il dado sull'albero, accertandosi che i denti della lama siano rivolti verso il basso, ossia verso la parte frontale del banco. Installare il dado esagonale con il lato incavato rivolto verso la flangia esterna. (Fig. 20)

Paesi non europei

ATTENZIONE:

- L'anello argentato con il diametro esterno di 25,4 mm viene installato sull'asse dal produttore. L'anello nero con il diametro esterno di 25 mm è incluso nella dotazione standard. Prima di montare la lama sull'asse, accertarsi di aver installato l'anello appropriato per il foro dell'albero della lama da utilizzare.

Paesi europei

ATTENZIONE:

- L'anello con il diametro esterno di 30 mm viene installato dal produttore tra le flange interna ed esterna.
- Per evitare slittamenti della lama, tenere pulita la superficie delle flange da residui o materie adesive. Accertarsi di installare la lama in modo che i denti siano allineati nella direzione di taglio (rotazione).

Per fissare in posizione la lama tenere la flangia esterna con la chiave curva, quindi serrare il dado esagonale in senso orario con la chiave. ACCERTARSI DI AVER FISSATO SALDAMENTE IL DADO ESAGONALE. (Fig. 21)

ATTENZIONE:

- Prestare attenzione a tenere il dado esagonale con la chiave. Se si perde la presa, la chiave potrebbe staccarsi dal dado esagonale e la mano potrebbe colpire i denti acuminati della lama.

Installazione del coprilama (Fig. 22 e 23)

ATTENZIONE:

- Prima di installare il coprilama regolare al massimo la profondità di taglio.

Coprilama non europei

Rimuovere il coperchio centrale. Inserire il cuneo separatore nella parte di supporto della protezione della lama (lunetta). Avvitare i bulloni esagonali (A) con la chiave in dotazione.

Coprilama europei (Fig. 24 e 25)

Rimuovere il coperchio centrale. Inserire il cuneo separatore nella parte di supporto della protezione della lama (lunetta). Avvitare i bulloni esagonali (A) con la chiave in dotazione.

Collocare il coprilama nella scanalatura del coltello separatore. Fissare il coprilama facendo ruotare la leva del coprilama.

Per coprilama di tipi sia europeo che non-europeo

La posizione del coltello separatore è regolata dal produttore in modo che la lama e il coltello siano perfettamente allineati. Tuttavia, se l'allineamento non è perfetto, allentare i dadi esagonali (B) e regolare il supporto di montaggio coprilama (supporto) in modo che il coltello separatore si trovi allineato direttamente dietro alla lama. Quindi fissare il supporto serrando i dadi esagonali (B). (Fig. 26)

ATTENZIONE:

- Se la lama e il coltello separatore non sono perfettamente allineati, durante l'utilizzo dell'utensile si può verificare una pericolosa condizione di attrito. Verificare l'allineamento. Se il coltello separatore non è perfettamente allineato, l'utilizzo dell'utensile può provocare lesioni gravi.
- NON apportare regolazioni quando l'utensile è in movimento. Prima di qualsiasi regolazione, spegnere l'utensile.
- Non rimuovere il coltello divisorio.

Fra il coltello divisorio e i denti della lama deve esistere uno spazio di circa 4-5 mm. Allentare i bulloni esagonali (A), regolare il coltello divisorio come necessario e serrare saldamente i bulloni esagonali (A). Collegare l'inserito sul piano, quindi, prima di tagliare, verificare che il coprilama funzioni correttamente. (Fig. 27)

Installazione e regolazione della guida di taglio (Fig. 28)

1) Posizionare il gancio sulla punta della guida-pezzo nella rotaia di guida estrema sul banco o sotto banco (R), installare e spingere la guida-pezzo in avanti in modo che il supporto della guida si innesti sulla rotaia di guida più vicina.

Per far scorrere lateralmente la guida di taglio sul binario, ruotare la manopola sul supporto fino a metà corsa.

Per fissare la guida di taglio, ruotare completamente la manopola sul supporto della guida.

2) Per far correre la guida-pezzo ai lati della rotaia di guida, riportare la manopola sul supporto della guida senza tirare la leva sulla manopola.

3) Per rimuoverla, spingere la leva sulla manopola e far ruotare la manopola tutta in avanti tirando la leva.

Per verificare che la guida di taglio sia parallela alla lama, fissare la guida di taglio alla distanza di 2 - 3 mm dalla lama. Sollevare la lama fino a raggiungere l'elevazione massima. Contrassegnare uno dei denti della lama con un gessetto. Misurare le distanze tra la guida di taglio e la lama nei punti (A) e (B). Utilizzare in entrambe le

misurazioni il dente contrassegnato con il gessetto. Le due misurazioni devono essere identiche. Se la guida di taglio non è parallela alla lama procedere come segue:

(Fig. 29 e 30)

1. Posizionare la guida-pezzo in posizione di scorrimento.
2. Allentare i due dadi esagonali sulla guida di taglio con la chiave in dotazione.
3. Regolare la posizione della guida fino a che è parallela alla lama.
4. Ruotare verso il basso la manopola sulla guida-pezzo verso l'operatore.
5. Fissare i due dadi esagonali della guida. (Fig. 31)

ATTENZIONE:

- Accertarsi di regolare la guida di taglio in modo che sia parallela alla lama. In caso contrario potrebbero verificarsi le condizioni per un pericoloso contraccolpo.

Se non è possibile fissare la guida di taglio in modo sicuro, regolarla secondo la procedura descritta di seguito.

(1) Collocare la guida di taglio sul tavolo, quindi ruotare la manopola per metà (posizione di movimento). Serrare la vite (A) fino a bloccare la guida di taglio.

Successivamente, allentare di 1/2 o 1/4 di giro.

(Fig. 32 e 33)

(2) Serrare completamente la vite (B), quindi allentare facendo circa 2 giri completi.

(3) Bloccare la guida di taglio ruotando completamente la manopola sul portaguida (posizione di blocco).

(4) Accertarsi che la guida di taglio possa essere installata e rimossa nella posizione di partenza (posizione di sblocco).

(5) Accertarsi che la guida di taglio possa scorrere senza oscillazioni quando la manopola si trova a metà.

ATTENZIONE:

- Evitare di serrare le viti con una potenza maggiore rispetto a quella specificata nelle istruzioni sopra riportate. In caso contrario le parti fissate potrebbero venire danneggiate.

Spostare la guida verso l'alto, a filo con il lato della lama.

Verificare che la linea guida del supporto indichi punto 0.

In caso contrario, allentare la vite sulla piastra di misurazione e regolare quest'ultima. (Fig. 34)

Collegamento a un aspiratore

Per operare in un ambiente più pulito è possibile collegare l'utensile a un aspiratore o un aspirapolvere Makita.

(Fig. 35)

FUNZIONAMENTO

ATTENZIONE:

- Quando esiste il rischio di avvicinare dita o mani alla lama, utilizzare sempre degli ausili come uno spingilegno o uno spingipezzo.
- Tenere saldamente il pezzo in lavorazione a contatto con il banco e la guida di taglio o la guida per augnature. Evitare di curvarlo o torcerlo durante il taglio. Se il pezzo in lavorazione è curvo o contorto si potrebbe verificare un pericoloso contraccolpo.
- NON ritirare MAI il pezzo in lavorazione mentre la lama è in movimento. Qualora occorra compiere questa operazione prima del completamento del taglio,

spegnere l'utensile tenendo saldamente il pezzo in lavorazione. Prima di ritirare il pezzo in lavorazione, attendere fino a quando la lama si è completamente arrestata. In caso contrario si potrebbero verificare pericolosi contraccolpi.

- NON rimuovere MAI il materiale residuo della lavorazione se la lama è in movimento.
- NON posizionare MAI dita o mani sul percorso della lama della sega. Prestare particolare attenzione nel caso di tagli obliqui.
- Fissare saldamente la guida di taglio. In caso contrario potrebbero verificarsi pericolosi contraccolpi.
- Usare sempre "ausili" come spingipezzo e blocchi di spinta nella lavorazione di pezzi stretti o di piccole dimensioni.

Ausili

Gli spingilegno, gli spingipezzo e le guide aggiuntive rappresentano degli ausili per la lavorazione. Consentono di operare la macchina in modo sicuro evitando la necessità di avvicinarsi alla lama con qualsiasi parte del corpo.

Spingipezzo (Fig. 36)

Utilizzare un pezzo di compensato da 19 mm. Collocare la maniglia al centro del pezzo di compensato. Fissare con colla e viti, come illustrato nella figura. È necessario incollare al compensato un piccolo pezzo di legno di dimensioni 9,5 mm x 8 mm x 50 mm per evitare che la lama perda il filo qualora entri accidentalmente in contatto con lo spingipezzo. Non utilizzare mai chiodi per realizzare uno spingipezzo.

Guida ausiliaria (Fig. 37)

Per realizzare una guida ausiliaria, utilizzare pezzi di compensato da 9,5 mm e 19 mm.

Protezione in legno per la guida di taglio (Fig. 38)

Se la lama si deve avvicinare alla guida di taglio, utilizzare questa protezione. La protezione deve avere le stesse dimensioni della guida di taglio. Assicurarsi che la parte inferiore della protezione sia a filo con la superficie del banco.

Taglio longitudinale

ATTENZIONE:

- Quando si eseguono tagli longitudinali, rimuovere la guida per agnatura dal banco.
- Se si devono tagliare pezzi di grande lunghezza o dimensione, assicurarsi di disporre di una superficie di supporto adeguata nella parte posteriore del banco. NON consentire a una tavola di grandi dimensioni di spostarsi o muoversi sul banco. In caso contrario, la lama potrebbe essere ostacolata e si potrebbe verificare un contraccolpo che potrebbe provocare lesioni personali. La superficie di supporto deve avere la stessa altezza del banco.

1. Regolare la profondità di taglio appena al di sopra dello spessore del pezzo in lavorazione. (Fig. 39)
2. Collocare la guida di taglio nella posizione corrispondente alla larghezza desiderata e bloccarla ruotando l'impugnatura. Prima di eseguire il taglio longitudinale, accertarsi che l'estremità posteriore della guida di taglio sia fissata saldamente. In caso contrario, attenersi alla procedura descritta nella

sezione "Installazione e regolazione della guida di taglio".

3. Accendere l'utensile e spingere delicatamente il pezzo verso la lama facendolo scorrere sulla guida di taglio.
 - (1) Se la larghezza del taglio è di 150 mm o superiore, è possibile utilizzare la mano per spingere il pezzo prestando molta attenzione. Utilizzare la mano sinistra per tenere il pezzo in posizione contro la guida di taglio. (Fig. 40)
 - (2) Se la larghezza del taglio è compresa tra 65 mm e 150 mm, utilizzare lo spingilegno. (Fig. 41)
 - (3) Se la larghezza del taglio è inferiore a 65 mm non è possibile utilizzare lo spingilegno perché quest'ultimo toccherebbe il coprilama. Utilizzare la guida ausiliaria e lo spingipezzo. Fissare la guida ausiliaria alla guida di taglio con due morsetti a "C". (Fig. 42)Spingere il pezzo con le mani fino a quando l'estremità si trova a circa 25 mm dal bordo frontale del banco. Continuare a spingere utilizzando lo spingipezzo sopra la guida ausiliaria e completare il taglio. (Fig. 43)

Taglio trasversale

ATTENZIONE:

- Per eseguire tagli trasversali rimuovere la guida di taglio dal banco.
- Se si devono tagliare pezzi di grande lunghezza o dimensione, assicurarsi di disporre di una superficie di supporto adeguata ai lati del banco. La superficie di supporto deve avere la stessa altezza del banco.
- Tenere sempre le mani lontane dal percorso della lama.

Guida per agnatura (Fig. 44)

La guida per agnatura consente di realizzare i 4 tipi di taglio illustrati nella figura.

ATTENZIONE:

- Serrare con attenzione la manopola sulla guida per agnatura.
- Evitare fenditure nel pezzo e nella guida utilizzando opportuni dispositivi di rinforzo, in particolare quando il taglio viene eseguito in un angolo.
- NON afferrare o tenere la parte residua del pezzo prodotta dal taglio.
- Regolare sempre in modo che la distanza tra l'estremità del misuratore di angoli e la lama della sega non superi i 15 mm.

Tacche di arresto della guida per agnatura (Fig. 45)

Per agevolare l'impostazione dell'angolazione di taglio, la guida per agnatura dispone di tacche di arresto a 90°, 45° a destra e 45° a sinistra.

Per impostare l'angolazione di taglio, allentare la manopola della guida per agnatura. Sollevare la placchetta della guida per impostare liberamente l'angolo desiderato. Ruotare la guida fino a raggiungere l'angolo desiderato. Riportare la placchetta della guida sulla posizione originaria e fissare saldamente la manopola ruotandola in senso orario.

Uso della guida per agnatura (Fig. 46)

Far scorrere la guida per agnatura nelle scanalature spesse del banco. Allentare la manopola sulla guida e impostare l'angolo desiderato, compreso tra 0° e 60°.

Portare il pezzo a filo della guida e spingerlo delicatamente verso la lama.

Protezione aggiuntiva in legno per la guida per agnatura (Fig. 47)

Per impedire che una tavola di grandi dimensioni possa oscillare, utilizzare questa protezione. Dopo aver praticato i fori, fissare con bulloni e dadi prestando attenzione per evitare che fuoriescano dalla superficie del banco.

Trasporto dell'utensile (Fig. 48)

Trasportare l'utensile afferrandolo nei punti indicati dalla figura.

ATTENZIONE:

- Bloccare tutte le parti mobili prima di trasportare l'utensile.
- Assicurarsi che la protezione della lama sia montata correttamente prima di trasportare l'utensile.

MANUTENZIONE

ATTENZIONE:

- Prima di eseguire operazioni di controllo o manutenzione, verificare sempre di aver spento e scollegato dalla rete elettrica l'utensile.
- Evitare assolutamente di usare benzina, diluenti, solventi, alcol o sostanze simili. In caso contrario, potrebbero verificarsi scoloriture, deformazioni o incrinature.

Pulizia

Rimuovere periodicamente polvere e trucioli. Pulire con attenzione il coprilama e le altre parti mobili all'interno dell'utensile.

Lubrificazione

Per mantenere sempre il banco sega in perfetta efficienza e aumentarne la durata operativa, lubrificare periodicamente con olio o grasso le parti mobili o rotanti. Posizioni di lubrificazione:

- Albero filettato per il sollevamento della lama
- Cerniera che consente la rotazione del telaio
- Alberi della guida di sollevamento sul motore
- Ingranaggio che consente di sollevare la lama
- Binari della guida di taglio
- Albero delle leve di blocco della prolunga Dx
- Parti scorrevoli della prolunga Dx

Sostituzione delle spazzole di carbone (Fig. 49)

Rimuovere e controllare periodicamente le spazzole di carbone. Sostituirle quando sono consumate fino al limite indicato. Mantenere le spazzole di carbone pulite e libere per farle slittare nei supporti. Entrambe le spazzole di carbone devono essere sostituite contemporaneamente. Utilizzare solo spazzole di carbone identiche. Rimuovere le protezioni del supporto della spazzola con un cacciavite. Per sostituire le spazzole di carbone, rimuovere il coprilama e la lama, quindi allentare la leva di blocco, piegare la testa della sega e fissarla all'angolo di taglio obliquo di 45°. Prestando attenzione, capovolgere lo strumento all'indietro. Allentare il coperchio supporto spazzola. Rimuovere le spazzole di carbone consumate,

inserire le nuove spazzole e fissare le protezioni del supporto della spazzola. (Fig. 50)

Per conservare la SICUREZZA e l'AFFIDABILITÀ del prodotto, le riparazioni o qualsiasi altra manutenzione o regolazione devono essere eseguiti dai centri di assistenza autorizzati di Makita utilizzando sempre pezzi di ricambio Makita.

ACCESSORI

ATTENZIONE:

- Questi accessori o collegamenti sono suggeriti per l'uso con l'utensile Makita specificato in questo manuale. L'uso di altri accessori può causare rischi di lesioni personali. Utilizzare gli accessori o i collegamenti solo per l'uso dichiarato.

Se si necessita assistenza e per ulteriori dettagli sui tali accessori, rivolgersi al centro di assistenza locale Makita.

Insieme del supporto del banco (accessorio)

Fare riferimento al manuale delle istruzioni del supporto del banco sega, fornito con il supporto stesso come accessorio opzionale.

- Lame in acciaio e carbonio con taglienti riportati
- Prolunga Sx
- Prolunga posteriore
- Guida di taglio
- Guida per agnatura
- Chiave curva da 13 - 22
- Chiave da 19
- Chiave esagonale 5
- Giunto per il collegamento a un aspiratore
- Piastra ausiliaria
- Insieme del supporto
- Guida di scorrimento

Rumore

ENG905-1

Il tipico livello di rumore ponderato "A" è determinato in conformità con la norma EN61029:

Livello di pressione sonora (L_{pA}): 94 dB (A)

Livello di potenza sonora (L_{WA}): 107 dB (A)

Variazione (K): 3 dB (A)

Indossare una protezione acustica.

Solo per i paesi europei

ENH003-13

Dichiarazione di conformità CE

Makita Corporation, in qualità di produttore responsabile, dichiara che le macchine Makita indicate di seguito:

Denominazione della macchina:

Banco sega

N. modello/Tipo: 2704

appartengono a una produzione in serie e

sono conformi alle seguenti direttive europee:

2006/42/CE

Sono inoltre prodotte in conformità con gli standard o i documenti standardizzati riportati di seguito:

EN61029

La documentazione tecnica viene conservata dal
rappresentante autorizzato in Europa, ovvero:

Makita International Europe Ltd.
Michigan Drive, Tongwell,
Milton Keynes, Bucks MK15 8JD, Inghilterra

21. 4. 2010



Tomoyasu Kato
Direttore
Makita Corporation
3-11-8, Sumiyoshi-cho,
Anjo, Aichi, 446-8502, JAPAN

NEDERLANDS (Originele instructies)

Verklaring van het onderdelenoverzicht

- | | | |
|---|---|---|
| 1. Diameter gat 8 mm | 24. Binnenflens | 47. Bovenkant/onderkant zijaanzicht |
| 2. Sluistring 6 mm | 25. Ring | 48. Houtschroef |
| 3. Houtschroef nr. 10 minimale lengte 40 mm | 26. Zaagblad | 49. Vastlijmen |
| 4. Bout en moer 6 mm goed aandraaien | 27. Buitenflens | 50. Houtschroeven nr. 10 (met voldoende lengte om het geleidebord halverwege binnen te dringen) |
| 5. Verstekgeleider | 28. Beschermerkap | 51. Duwstok |
| 6. Breedtegeleider | 29. Spouwmes | 52. Hulpgeleider |
| 7. Draaihendel | 30. Montagegedeelte (steun) van beschermerkap | 53. Duwblok |
| 8. Vergrendelhendel | 31. Zaagblad | 54. AFKORTEN |
| 9. Pijltje | 32. Deze twee spelingen moeten gelijk zijn. | 55. HORIZONTAAL VERSTEKZAGEN |
| 10. Handwiel | 33. Inbusbouten (B) | 56. VERTICAAL VERSTEKZAGEN |
| 11. 90° Stelschroef | 34. Zeskantbouten (A) | 57. SAMENGESTELD VERSTEKZAGEN (HORIZONTALE EN VERTICALE HOEKEN) |
| 12. 45° Stelschroef | 35. Haak | |
| 13. Schakelaar | 36. Knop | |
| 14. Hangslot | 37. Geleiderail | |
| 15. Hendel | 38. Schaal | |
| 16. Hulptafel (R) | 39. Inbusbouten | 58. Plaatje |
| 17. Schaalplaat | 40. Ontgrendelde stand | 59. Schroef voor de hoekaanslag |
| 18. Schroef | 41. Verplaatsbare stand | 60. Groef |
| 19. Hulptafel (achter) | 42. Vergrendelde stand | 61. Limietmarkering |
| 20. Hulptafel (L) | 43. Bout (B) | 62. Koelborsteldop |
| 21. Versprongen steeksleutel | 44. Bout (A) | 63. Schroevendraaier |
| 22. Zeskantmoer | 45. Geleidelijn | |
| 23. Sleutel | 46. Schroeven | |

TECHNISCHE GEGEVENS

Model		2704	
		(voor Europese landen)	(voor niet-Europese landen)
Asgat		30 mm	25 mm en 25,4 mm
Diameter zaagblad		260 mm	255 mm
Max. zaagdikte	90°	93 mm	91 mm
	45°	64 mm	63 mm
Toerental onbelast (min ⁻¹)		4.800	
Tafelafmetingen (L x B)		(665 mm – 1.045 mm) x (753 mm – 1.066 mm) met gemonteerde hulptafels (R) en (achter)	567 mm x (753 mm – 1.066 mm) met gemonteerde hulptafel (R)
Afmetingen (L x B x H) met gemonteerde hulptafels niet uitgezet		715 mm x 753 mm x 344 mm met gemonteerde hulptafels (R) en (achter)	665 mm x 753 mm x 344 mm met gemonteerde hulptafel (R)
Netto gewicht		34,9 kg	29,5 kg
Veiligheidsklasse		II/II	

- Als gevolg van ons doorlopende onderzoeks- en ontwikkelingsprogramma, zijn de technische gegevens van dit gereedschap onderhevig aan veranderingen zonder voorafgaande kennisgeving.
- De technische gegevens kunnen van land tot land verschillen.
- Gewicht volgens EPTA-procedure 01/2003

Symbolen

END215-4

Hieronder staan de symbolen die voor dit gereedschap worden gebruikt. Zorg ervoor dat u weet wat ze betekenen alvorens het gereedschap te gebruiken.



... Draag een veiligheidsbril.



..... Houdt handen en vingers uit de buurt van het zaagblad.



... Lees de gebruiksaanwijzing.



..... DUBBELE ISOLATIE



..... Alleen voor EU-landen
Geef elektrisch gereedschap niet met het huisvuil mee!
Volgens de Europese richtlijn 2002/96/EG inzake oude elektrische en elektronische apparaten en de toepassing daarvan binnen de nationale wetgeving, dient gebruikt elektrisch gereedschap gescheiden te worden ingezameld en te worden afgevoerd naar een recycle bedrijf dat voldoet aan de geldende milieueisen.

Gebruiksdoeleinden ENE003-1
Het gereedschap is bedoeld om hout te zagen.

Voeding ENF002-1
Het gereedschap mag uitsluitend worden aangesloten op een voeding met dezelfde spanning als aangegeven op het identificatieplaatje en werkt alleen op enkele-fase wisselstroom. Het gereedschap is dubbel geïsoleerd volgens de Europese norm en mag derhalve ook op een niet-geaard stopcontact worden aangesloten.

Algemene veiligheids waarschuwingen voor elektrisch gereedschap

GEA010-1

⚠ WAARSCHUWING Lees alle veiligheids waarschuwingen en alle instructies. Het niet volgen van de waarschuwingen en instructies kan leiden tot elektrische schokken, brand en/of ernstig letsel.

Bewaar alle waarschuwingen en instructies om in de toekomst te kunnen raadplegen.

AANVULLENDE VEILIGHEIDSVOORSCHRIFTEN VOOR HET GEREEDSCHAP

ENB095-1

BEWAAR DEZE VOORSCHRIFTEN

1. Draag oogbescherming.
2. Gebruik het gereedschap niet in de buurt van ontvlambare vloeistoffen of gassen.
3. Gebruik het gereedschap NOOIT met een doorslijpschijf erop gemonteerd.
4. Controleer vóór het gebruik het zaagblad zorgvuldig op barsten of beschadiging. Vervang een gebarsten of beschadigd zaagblad meteen.
5. Gebruik alleen zaagbladen die aanbevolen worden door de fabrikant en die voldoen aan de norm EN847-1, en let erop dat het spouwmes niet dikker is dan de zaagbreedte van het zaagblad en niet dunner is dan het zaagblad zelf.
6. Gebruik altijd de accessoires die in deze gebruiksaanwijzing aanbevolen worden. Gebruik van ongeschikte accessoires, zoals slijpschijven, kan tot letsel leiden.
7. Kies voor het materiaal, dat u wilt bewerken, het geschikte zaagblad.
8. Zaagbladen van hooggelegeerd snelstaal (HSS) mogen niet worden gebruikt.

9. Zorg, om het geluidsniveau te verminderen, er altijd voor dat het zaagblad scherp en schoon is.
10. Gebruik een zaagblad dat op de juiste wijze geslepen is. Houd u aan de maximale snelheid aangegeven op het zaagblad.
11. Reinig de as, de flenzen (vooral het montagevlak) en de zeskantmoer voordat u het zaagblad monteert. Gebrekkige montage kan trilling/schommeling of slippen van het zaagblad veroorzaken.
12. Gebruik de beschermkap en het spouwmes voor elk soort werk waarvoor deze kunnen worden gebruikt, inclusief alle doorzaagactiviteiten. Monteer altijd de beschermkap volgens de instructies beschreven in deze gebruiksaanwijzing. Doorzaagactiviteiten zijn activiteiten waarbij het zaagblad het werkstuk helemaal doorzaagt, zoals bij schulpen of afkorten. Gebruik het gereedschap NOOIT met een defecte beschermkap en maak de beschermkap nooit vast door middel van een touw, een koord e.d. Elke abnormale werking van de beschermkap moet onmiddellijk worden gerepareerd.
13. Monteer onmiddellijk weer de beschermkap en het spouwmes, na het voltooien van de activiteit waarvoor demontage van de beschermkap noodzakelijk was.
14. Zaag niet in metalen voorwerpen zoals spijkers en schroeven. Inspecteer het werkstuk en verwijder alle spijkers, schroeven en andere dingen die er niet thuis horen, voordat u met het zagen begint.
15. Verwijder sleutels, afgezaagde stukken e.d. van het tafelblad voordat u het gereedschap inschakelt.
16. Draag NOOIT handschoenen tijdens het bedienen van het gereedschap.
17. Houd uw handen uit de buurt van de looplijn van het zaagblad.
18. Sta NOOIT in het verlengde van de zaaglijn van het zaagblad, en laat niet toe dat iemand anders daar gaat staan.
19. Zorg ervoor dat het zaagblad het spouwmes of het werkstuk niet raakt voordat u het gereedschap hebt ingeschakeld.
20. Laat het gereedschap een tijdje draaien voordat u het werkstuk gaat zagen. Controleer op trillingen of schommelingen die op onjuiste montage of een slecht uitgebalanceerd zaagblad kunnen wijzen.
21. Het gereedschap mag niet gebruikt worden voor elke vorm van freeswerk.
22. Vervang de inzettafel als deze versleten is.
23. Verander NOOIT de instelling van het gereedschap als deze ingeschakeld is. Haal de stekker uit het stopcontact voordat u de instellingen verandert.
24. Gebruik indien nodig een duwstok. Een duwstok MOET worden gebruikt voor het schulpen van smalle werkstukken, zodat uw handen en vingers op veilige afstand van het zaagblad blijven.
25. Berg de duwstok altijd op als deze niet wordt gebruikt.
26. Schenk speciale aandacht aan de voorzorgsmaatregelen voor het voorkomen van TERUGSLAG. TERUGSLAG is een plotselinge reactie op een bekneld, vastgelopen of niet-

uitgelijnd zaagblad. TERUGSLAG leidt ertoe dat het werkstuk van het gereedschap wordt weggeslingerd in de richting van de gebruiker. TERUGSLAG KAN LEIDEN TOT ERNSTIG PERSOONLIJK LETSEL. Voorkom TERUGSLAG door de volgende voorzorgsmaatregelen in acht te nemen: Gebruik altijd een goed aangescherpt zaagblad. Houd de breedtegeleider evenwijdig met het zaagblad. Houd het spouwmes, de vingers voor terugslagbeveiliging en de beschermkap op hun plaats gemonteerd en zorg ervoor dat deze naar behoren werken. Laat het werkstuk niet los totdat u het helemaal voorbij het zaagblad hebt geduwd. Schulp geen werkstuk dat verbogen of kromgetrokken is of geen rechte rand heeft die langs de geleider kan worden geplaatst.

27. Zaag nooit uit de vrije hand. "Uit de vrije hand" betekent dat in plaats van de verstekgeleider of de breedtegeleider u uw handen gebruikt om het werkstuk te ondersteunen of te geleiden.
28. Reik NOOIT rond of over het zaagblad. Reik NOOIT naar een werkstuk voordat het zaagblad volledig tot stilstand is gekomen.
29. Vermijd bruusk en snel aanvoeren van het werkstuk. Voer harde werkstukken zo langzaam mogelijk aan. Buig of verdraai het werkstuk niet tijdens het aanvoeren. Als het zaagblad in het werkstuk vast blijft zitten of blokkeert, moet u het gereedschap onmiddellijk uitschakelen. Haal de stekker uit het stopcontact. Maak het werkstuk vrij.
30. Verwijder NOOIT zaagafval dicht bij het zaagblad en raak de beschermkap nooit aan terwijl het zaagblad draait.
31. Verwijder elk loszittende houtknoest uit het werkstuk voordat u het begint te zagen.
32. Behandel het netsnoer voorzichtig. Ruk niet aan het snoer om zo de stekker uit het stopcontact te trekken. Houd het netsnoer uit de buurt van hitte, olie, water en scherpe randen.
33. Stof dat tijdens de werkzaamheden vrijkomt, kan chemische bestanddelen bevatten die kanker, geboortedefecten of andere voortplantingsschade kan (kunnen) verwekken. Enkele voorbeelden van deze chemische stoffen zijn:
 - lood van loodhoudende verfstoffen en
 - arsenicum en chroom van chemisch behandeld hout.
 - Uw risico van deze blootstellingen varieert en hangt af van het feit hoe vaak u dit soort bewerkingen uitvoert. Om blootstelling aan deze chemische bestanddelen te verminderen: moeten de werkzaamheden uitgevoerd worden in een goed geventileerde werkomgeving en gebruikmakend van goedgekeurd beschermende hulpmiddelen, zoals stofmaskers die ontworpen zijn om microscopisch kleine deeltjes te kunnen filteren.
34. Sluit het gereedschap aan op een stofafzuig- en stofopvanginrichting tijdens het zagen.
35. De beschermkap kan omhoog gezet worden om het werkstuk in positie te brengen en om het schoonmaken te vereenvoudigen. Zorg er altijd voor dat de beschermkap zich in de

benedenpositie vlak op de tafelcirkelzaag bevindt, voordat u de stekker in het stopcontact steekt.

BEWAAR DEZE VOORSCHRIFTEN.

OPSTELLEN

De tafelcirkelzaag opstellen (zie afb. 1 t/m 3)

Stel de tafelcirkelzaag op een goed verlichte en horizontale plaats op waar u goede steun voor de voeten hebt en uw evenwicht niet kunt verliezen. Zorg ervoor dat er rond de tafelcirkelzaag voldoende ruimte is om uw werkstukken gemakkelijk te kunnen hanteren. De tafelcirkelzaag moet op een werkbank of speciale standaard worden vastgezet door middel van vier schroeven of bouten die u door de gaten in het voetstuk van de tafelcirkelzaag steekt. Wanneer u de tafelcirkelzaag op een werkbank vastzet, moet het bovenblad van de werkbank voorzien zijn van een opening die even groot is als de opening in het voetstuk van de tafelcirkelzaag, zodat het zaagsel erdoor kan vallen.

Als de tafelcirkelzaag tijdens het gebruik neigt om te kantelen of gauw verschuift of beweegt, moet een werkbank of een speciale standaard voor de tafelcirkelzaag op de vloer worden bevestigd.

Bergruimte voor accessoires (zie afb. 4 en 5)

Er is bergruimte voor de verstekgeleider, het zaagblad en de sleutels aan de linkerzijde van de gereedschapvoet, en voor de breedtegeleider aan de rechterzijde van de gereedschapvoet.

BESCHRIJVING VAN DE FUNCTIES

LET OP:

- Controleer altijd of het gereedschap is uitgeschakeld en de stekker uit het stopcontact is getrokken alvorens de functies van het gereedschap te controleren of af te stellen.

Instellen van de zaagdiepte (zie afb. 6)

De zaagdiepte kan worden ingesteld door de hendel linksom of rechtsom te draaien. Draai de hendel rechtsonom om het zaagblad hoger te zetten, of linksom om het zaagblad lager te zetten.

OPMERKING:

- Om bij het zagen van dun materiaal een schonere zaagsnede te verkrijgen moet u een geringe zaagdiepte gebruiken.

Instellen van de verstekhoek (zie afb. 7)

Draai de vergrendelhendel los en draai het handwiel om de gewenste hoek (0° – 45°) te krijgen. De verstekhoek wordt door het pijltje aangegeven.

Nadat de gewenste hoek is ingesteld, draait u de vergrendelhendel weer vast om de instelling te vergrendelen.

LET OP:

- Zorg dat de vergrendelhendel, na instelling van de verticale verstekhoek, stevig vastgezet is.

De hoekaanslagen afstellen (zie afb. 8 en 9)

Het gereedschap is voorzien van aanslagen op 90° en 45° ten opzichte van het tafelblad. Ga als volgt te werk om de hoekaanslagen te controleren en zonodig af te stellen: Verplaats het handwiel zo ver mogelijk door eraan te draaien. Plaats de driehoekige liniaal op de tafel en controleer of het zaagblad onder een hoek van 90° of 45° staat ten opzichte van het tafelblad. Als de hoek van het zaagblad is zoals in afb. A, moet u de stelschroeven rechtsom draaien. Als de hoek is zoals in afb. B, moet u de stelschroeven linksom draaien om de hoekaanslagen af te stellen.

Nadat de hoekaanslagen zijn afgesteld, moet u het zaagblad op 90° ten opzichte van het tafelblad zetten. Stel daarna de positie van het pijltje af zodat zijn rechter uiteinde overeenkomt met de 0° schaalverdeling. (zie afb. 10)

Werkung van de aan/uit-schakelaar

Voor de hefboomschakelaar (zie afb. 11)

LET OP:

- Zorg er voor dat het gereedschap is uitgeschakeld, voordat u de stekker in het stopcontact steekt. Om het gereedschap in te schakelen, duwt de hefboomschakelaar omhoog. Om het gereedschap te stoppen, duwt u de hefboomschakelaar omlaag. De hefboom kan op slot gedaan worden door een met behulp van een hangslot door sluithaak aan de linkerkant. (zie afb. 12)

Voor de wipschakelaar (zie afb. 13)

LET OP:

- Zorg ervoor het gereedschap in en uit te schakelen, voordat u het bedient. Om het gereedschap te starten, drukt u de "ON (I)"-knop in. Om het gereedschap te stoppen, drukt u de "OFF (O)"-knop in.

Hulptafel (R) (zie afb. 14 en 15)

Deze machine is voorzien van een hulptafel (R) aan de rechterkant van het hoofdtafel. Om gebruik te maken van de hulptafel (R), moet u beide hendels aan de rechter voorzijde omhoog tillen, de tafel (R) volledig uittrekken en daarna de hendels naar beneden brengen om het vast te zetten.

Breng bij gebruik van de hulptafel (R) de schaalplaat, na het losmaken van een schroef met een schroevendraaier, aan op de hulptafel zodat deze in lijn ligt met de schaalplaat op de hoofdtafel. (zie afb. 16)

Hulptafel (achter) (los verkrijgbaar in niet-Europese landen) (zie afb. 17)

Om de hulptafel (achter) gebruiksklaar te maken, draait u de schroeven aan de linker- en rechteronderzijde van de hoofdtafel los en trekt u de tafel eruit naar achteren tot de

gewenste afstand. Draai op de gewenste afstand de schroef goed vast.

OPMERKING:

- Bij gelijktijdig gebruik van de hulptafel (achter) en de breedtegeleider, moet de hulptafel (achter) meer dan 50 mm uitgetrokken worden, zodat deze niet de bovenkant van de breedtegeleider raakt.

Hulptafel (L) (los verkrijgbaar) (zie afb. 18)

De hulptafel (L) (los verkrijgbaar) kan gemonteerd worden aan de linkerkant van de tafelcirkelzaag om zodoende een bredere werkruimte te verkrijgen.

ONDERDELEN AANBRENGEN/ VERWIJDEREN

LET OP:

- Controleer altijd of het gereedschap is uitgeschakeld en de stekker uit het stopcontact is getrokken alvorens enige werk aan het gereedschap uit te voeren. Bij de verschepping van het gereedschap uit de fabriek, zijn het zaagblad en de beschermkap niet op het gereedschap gemonteerd. Monteer deze als volgt:

Het zaagblad monteren en verwijderen

LET OP:

- Controleer altijd of het gereedschap is uitgeschakeld en de stekker uit het stopcontact is getrokken alvorens het zaagblad te monteren of verwijderen.
- Gebruik uitsluitend de bijgeleverde Makita-dopsleutel bij het monteren of verwijderen van het zaagblad. Als u dit nalaat, loopt u het risico dat de zeskantbout te vast of onvoldoende vast aangedraaid wordt. Hierdoor kan letsel worden veroorzaakt.
- Gebruik het hieronder gespecificeerde zaagblad. Gebruik geen zaagbladen die niet voldoen aan de specificaties in deze gebruiksaanwijzing.

Voor model	Max. diameter	Min. diameter	Zaagblad-dikte	Zaagsnede
2704	260 mm	230 mm	1,8 mm of minder	2 mm of meer

LET OP:

- Controleer vóór montage de diameter van het asgat van het zaagblad. Gebruik altijd de ring die bestemd is voor het asgat van het zaagblad dat u gaat monteren. (zie afb. 19)

Verwijder het inzetstuk van de tafelcirkelzaag. Zet de versprongen steeksleutel op de buitenflens en draai de zeskantmoer linksom los met de rechte steeksleutel. Verwijder dan de buitenflens.

Monteer de binnenflens, ring, zaagblad, buitenflens en zeskantmoer op de as, en zorg ervoor dat de tanden van het zaagblad aan de voorkant van de tafelcirkelzaag naar beneden gericht zijn. Monteer de zeskantmoer altijd met zijn uitgeholde zijde naar de buitenflens gekeerd. (zie afb. 20)

Voor alle niet-Europese landen

LET OP:

- De zilverkleurige ring, met een buitendiameter van 25,4 mm, is door de fabrikant op de as aangebracht.

De zwarte ring, met een buitendiameter van 25 mm, is meegeleverd als standaard toebehoren. Voordat het zaagblad op de as wordt gemonteerd, moet u ervoor zorgen, dat de juiste ring, passend voor het asgat van het zaagblad, aangebracht is op de as.

Voor Europese landen

LET OP:

- De ring, met een buitendiameter van 30 mm, is door de fabrikant aangebracht tussen de binnenste en buitenste flens.
- Houd het flensoppervlak vrij van vuil en ander materiaal dat er zich op hecht omdat het anders doorslaan van het zaagblad kan veroorzaken. Zorg ervoor dat het zaagblad zodanig gemonteerd wordt dat de zaagtanden in de lijn van de zaag (draai)-richting staan.

Om het zaagblad vast te zetten, moet u de buitenflens met de versprongen steeksleutel vasthouden en de zeskantmoer met steeksleutel rechtsom vastdraaien. DRAAI DE ZESKANTMOER GOED VAST. (zie afb. 21)

LET OP:

- Zorg ervoor dat de steeksleutel goed om de zeskantmoer zit. Als u grip verliest, kan de steeksleutel losschieten van de zeskantmoer en loopt u het risico dat uw hand in aanraking komt met de zaagtanden.

De beschermkap monteren (zie afb. 22 en 23)

LET OP:

- Voordat u de beschermkap monteert, moet u de zaagdiepte in de maximale stand (hoogste stand) zetten.

Voor een type beschermkap bestemd voor niet-Europese landen

Verwijder de middelste afdekplaat. Steek de spouwmes in het montagegedeelte (steun) van de zaagbladbeschermkap. Draai de zeskantbouten (A) vast met de bijgeleverde steeksleutel.

Voor een type beschermkap bestemd voor Europese landen (zie afb. 24 en 25)

Verwijder de middelste afdekplaat. Steek de spouwmes in het montagegedeelte (steun) van de zaagbladbeschermkap. Draai de zeskantbouten (A) vast met de bijgeleverde steeksleutel.

Plaats de beschermkap in de groef op het spouwmes. Zet de beschermkap vast door de hendel op de beschermkap te kantelen.

Voor een type beschermkap bestemd voor zowel Europese als niet-Europese landen

De montagepositie van het spouwmes is in de fabriek afgesteld, zodat het zaagblad en het spouwmes normaal in een rechte lijn zullen staan. Indien dit niet het geval is, moet u de inbusbouten (B) losdraaien en het montagegedeelte (steun) van de beschermkap afstellen zodat het spouwmes in een rechte lijn achter het zaagblad komt te staan. Draai daarna de inbusbouten (B) weer vast om de steun vast te zetten. (zie afb. 26)

LET OP:

- Als het zaagblad en het spouwmes niet goed uitgelijnd zijn, kunnen deze tijdens het gebruik gaan knellen, wat

gevaarlijk is. Let daarom goed op de juiste uitlijning. Bij gebruik van het gereedschap zonder een goed uitgelijnd spouwmes, kunt u ernstig persoonlijk letsel oplopen.

- Verander NOOIT de instelling van het gereedschap als deze ingeschakeld is. Haal de stekker uit het stopcontact voordat u de instellingen verandert.
- Verwijder het spouwmes niet.

De speling tussen het spouwmes en de tanden van het zaagblad moet 4 tot 5 mm zijn. Draai de inbusbouten (A) los, stel het spouwmes dienovereenkomstig af, en draai de inbusbouten (A) goed vast. Monteer het inzetstuk op de tafelfirkelzaag en controleer vervolgens of de beschermkap soepel werkt. (zie afb. 27)

Monteren en afstellen van de breedtegeleider (zie afb. 28)

- 1) Plaats de haak aan de bovenkant van de breedtegeleider achter in de geleiderail van de hoofdtafel of de hulptafel (R) en monteer en duw de breedtegeleider naar voren, dusdanig dat de geleiderhouder vastgezet wordt in de dichtstbijzijnde geleiderail. Kantel de knop op de geleiderhouder halverwege om de breedtegeleider zijwaarts in de geleiderail te schuiven. Om de breedtegeleider vast te zetten moet u de knop op de geleiderhouder volledig kantelen.
- 2) Om de breedtegeleider zijwaarts in de geleiderail te schuiven, kantelt u de knop op de geleiderhouder helemaal terug zonder aan de hendel op de knop te trekken.
- 3) Om deze te verwijderen, moet u aan de hendel op de knop trekken en de knop met uitgetrokken hendel naar voren kantelen.

Om te controleren of de breedtegeleider parallel is met het zaagblad, zet u de breedtegeleider vast op 2 tot 3 mm van het zaagblad. Breng het zaagblad tot in zijn hoogste positie omhoog. Markeer een van de zaagbladtanden met een tekenkrijt. Meet afstanden (A) en (B) tussen de breedtegeleider en het zaagblad. Gebruik voor beide metingen de tand die met het tekenkrijt werd gemarkeerd. Deze twee gemeten afstanden moeten exact hetzelfde zijn. Ga als volgt te werk als de breedtegeleider niet parallel is met het zaagblad: (zie afb. 29 en 30)

1. Zet het spouwmes in de schuifstand.
2. Draai de twee inbusbouten op de breedtegeleider los met de bijgeleverde inbussleutel.
3. Stel de breedtegeleider af totdat deze parallel is met het zaagblad.
4. Breng de knop op de breedtegeleider naar u omlaag.
5. Draai de twee inbusbouten op de breedtegeleider vast. (zie afb. 31)

LET OP:

- Zorg ervoor dat de breedtegeleider evenwijdig is met het zaagblad, omdat er anders gevaar bestaat voor gevaarlijke terugslag.

Als de breedtegeleider niet stevig kan worden vastgezet, stelt u deze in aan de hand van de volgende procedure.

- (1) Plaats de breedtegeleider op de tafel en kantel vervolgens de knop op de geleiderhouder tot halverwege (verplaatsbare stand). Draai but (A) vast tot de breedtegeleider niet meer kan worden

verplaatst. Draai vervolgens 1/4 tot 1/2 slag los. (zie afb. 32 en 33)

- (2) Draai bout (B) helemaal aan en draai deze vervolgens 2 volle slagen los.
- (3) Vergrendel de breedtegeleider door de knop op de geleiderhouder helemaal te kantelen (vergrendelde stand).
- (4) Controleer dat de breedtegeleider kan worden geplaatst en verwijderd in de oorspronkelijke positie (ontgrendelde stand).
- (5) Controleer dat de breedtegeleider soepel kan glijden zonder haperingen wanneer de knop op de geleiderhouder halverwege staat.

LET OP:

- Zorg ervoor dat de bouten niet strakker worden aangedraaid dan het draaikoppel vermeldt in bovenstaande instructies. Als u zich hier niet aan houdt, kunnen de vastgezette onderdelen worden beschadigd.

Plaats de breedtegeleider vlak tegen de zijkant van het zaagblad. Zorg ervoor dat het pijltje op de geleiderhouder naar de 0° schaalverdeling wijst. Als het pijltje niet naar de 0° schaalverdeling wijst, draai dan de schroef op de schaalplaat los en stel de schaalplaat af. (zie afb. 34)

Aansluiten op een stofzuiger

Door een Makita-stofzuiger of -stofvanger op de tafelickeelzaag aan te sluiten, kunt u nog schoner werken. (zie afb. 35)

BEDIENING

LET OP:

- Gebruik altijd hulpmiddelen zoals duwstokken en duwblokken wanneer er gevaar bestaat dat uw handen of vingers dichtbij het zaagblad komen.
- Houd het werkstuk altijd goed vast op de tafelblad met behulp van breedtegeleider en verstekgeleider. Buig of verdraai het werkstuk niet tijdens het aanvoeren. Als het werkstuk gebogen of verdraaid wordt, kan gevaarlijke terugslag optreden.
- Probeer NOOIT het werkstuk terug te nemen terwijl de zaag nog draait. Wanneer u het werkstuk wilt terugnemen voordat het volledig is gezaagd, moet u eerst het gereedschap uitschakelen terwijl u het werkstuk stevig vasthoudt. Wacht totdat het zaagblad volledig tot stilstand is gekomen en verwijder dan het werkstuk. Als u dat niet doet, kan gevaarlijke terugslag worden veroorzaakt
- Verwijder NOOIT afgezaagd materiaal terwijl het zaagblad nog draait.
- Breng uw handen of vingers NOOIT in de zaaglijn van het zaagblad. Wees vooral voorzichtig tijdens verstekzagen.
- Zet de breedtegeleider altijd goed vast om gevaarlijke terugslag te voorkomen.
- Gebruik altijd hulpmiddelen zoals duwstokken en duwblokken wanneer u kleine of smalle werkstukken zaagt.

Hulpmiddelen

Duwstokken, duwblokken of een extra hulpgeleider zijn voorbeelden van hulpmiddelen. Gebruik ze om veilig zuivere zaagsneden te maken zonder dat de bedienaar

met enig deel van zijn lichaam in aanraking komt met het zaagblad.

Duwblok (zie afb. 36)

Gebruik een stuk multiplex van 19 mm dik. De handgreep moet in het midden van het stuk multiplex zitten. Bevestig met lijm en houtschroeven zoals afgebeeld. Het kleine stuk hout (9,5 mm x 8 mm x 50 mm) moet altijd aan het triplex gelijmd worden om te voorkomen dat het zaagblad stomp wordt als de bediener per ongeluk in het duwblok zaagt. (Gebruik nooit spijkers in het duwblok.)

Extra hulpgeleider (zie afb. 37)

Maak een hulpgeleider van stukken multiplex van 9,5 mm en 19 mm dik.

Houten beschermstuk (breedtegeleider) (zie afb. 38)

Een houten beschermstuk wordt aangebracht op de breedtegeleider en wordt toegepast voor zaagwerkzaamheden waarbij het zaagblad dicht bij de breedtegeleider komt. Het houten beschermstuk van de breedtegeleider moet even groot zijn als de breedtegeleider. Zorg ervoor dat de onderzijde van het beschermstuk vlak op het tafelloppervlak rust.

Schulpen

LET OP:

- Voor schulpen moet de verstekgeleider vanaf de tafelickeelzaag worden verwijderd.
 - Wanneer u lange of brede werkstukken zaagt, moet u altijd achter de tafelickeelzaag een geschikte steun plaatsen. Zorg ervoor dat een lange plank NIET op de tafelblad kan bewegen of schuiven. Hierdoor kan het zaagblad vastgeklemd raken en de mogelijkheid op terugslag en persoonlijk letsel vergroten. De steun moet even hoog zijn als het tafelblad.
 1. Stel de zaagdiepte iets groter in dan de dikte van het werkstuk. (zie afb. 39)
 2. Plaats de breedtegeleider op de gewenste breedte van de schulp en klem deze stevig op zijn plaats door de handgreep te kantelen. Zorg voordat u gaat schulpzagen, dat het achterste einde van de breedtegeleider goed vastgezet is. Als deze niet vast genoeg zit moet u de aanwijzingen in het hoofdstuk "De breedtegeleider monteren en afstellen" opvolgen.
 3. Schakel het gereedschap in en voer het werkstuk langzaam langs de hulpgeleider aan.
 - (1) Bij een schulpbreedte groter dan 150 mm, gebruikt u voorzichtig uw rechterhand om het werkstuk in te voeren. Gebruik uw linkerhand om het werkstuk op zijn plaats tegen de breedtegeleider te houden. (zie afb. 40)
 - (2) Bij een schulpbreedte tussen 65 mm en 150 mm, gebruikt u voorzichtig uw rechterhand om het werkstuk in te voeren. (zie afb. 41)
 - (3) Bij een schulpbreedte kleiner dan 65 mm kan de duwstok niet gebruikt worden omdat de duwstok dan in aanraking komt met het zaagblad. Gebruik een hulpgeleider en een duwblok. Bevestig de hulpgeleider aan de schulpgeleider met twee lijmtangen. (zie afb. 42)
- Voer het werkstuk met de hand in totdat het eindstuk circa 25 mm verwijderd is van de voorzijde van het tafelblad. Ga door met het

invoeren met behulp van een duwblok op de hulpgeleider totdat de zaagsnede voltooid is. (zie afb. 43)

Afkorten

LET OP:

- Voor afkorten moet de breedtegeleider vanaf de tafelfirkelzaag worden verwijderd.
- Wanneer u lange of brede werkstukken zaagt, moet u altijd aan beide zijkanen van de tafelfirkelzaag een geschikte steun plaatsen. De steun moet even hoog zijn als het tafelblad.
- Houd handen altijd weg van de zaaglijn van het zaagblad.

Verstekgeleider (zie afb. 44)

Gebruik de verstekgeleider bij de 4 manieren van zagen, zoals weergegeven in de afbeelding.

LET OP:

- Zet de knop op de verstekgeleider stevig vast.
- Voorkom, door goede klemvoorzieningen, dat het werkstuk en de aanslag kan wegglijden, in het bijzonder bij het zagen onder een hoek.
- U mag NOOIT het deel van het werkstuk dat u wilt afzagen vasthouden of beetpakken.
- Stel de afstand tussen de verstekgeleider en de zaagtafel altijd zodanig in dat deze niet groter is dan 15 mm.

Aanslagen van de verstekgeleider (zie afb. 45)

Om de verstekhoeken snel in te kunnen stellen is het gereedschap voorzien van aanslagen bij linker- en rechterverstekhoeken van 90° en 45°.

Draai de knop op de verstekgeleider los en stel in op de gewenste hoek.

Breng het plaatje op de verstekgeleider omhoog voor het instellen van elke andere verstekhoek. Zwenk de verstekgeleider in de gewenste verstekhoek. Breng het plaatje op de verstekgeleider in de oorspronkelijke positie terug en draai de knop rechtsom stevig vast.

Gebruik van de verstekgeleider (zie afb. 46)

Schuif de verstekgeleider in de brede groeven van het tafelblad. Draai de knop op de geleider los en stel in op de gewenste hoek (0° tot 60°). Plaats de achterzijde van het werkstuk vlak tegen de geleider en beweeg dit langzaam naar voren in de richting van het zaagblad.

Extra houten hulpgeleider (voor verstekgeleider) (zie afb. 47)

Om te voorkomen dat een lange plank gaat slingeren, moet u een extra houten hulpgeleider aan de verstekgeleider bevestigen. Bevestig deze met bouten en moeren door vooraf geboorde gaten zonder dat ze uit het hout steken.

Transport van het gereedschap (zie afb. 48)

Transporteer het gereedschap en houdt deze vast zoals aangegeven in de afbeelding.

LET OP:

- Zet altijd alle beweegbare delen vast voordat u het gereedschap transporteert.

- Zorg er altijd voor dat de zaagbladkap op het gereedschap is geïnstalleerd voordat u het gereedschap draagt.

ONDERHOUD

LET OP:

- Zorg er altijd voor dat de machine is uitgeschakeld en de stekker uit het stopcontact is getrokken, voordat u een inspectie of onderhoud uitvoert.
- Gebruik nooit benzine, wasbenzine, thinner, alcohol, enz. Dit kan leiden tot verkleuren, vervormen of barsten.

Schoonmaken

Verwijder af en toe zaagsel en spanen van het gereedschap. Maak vooral de beschermkap en de bewegende onderdelen in de tafelfirkelzaag goed schoon.

Smeren

Om de tafelfirkelzaag in optimale conditie te houden en een maximale levensduur te verzekeren, moet u de bewegende en roterende onderdelen regelmatig te smeren.

Te smeren plaatsen:

- Getapte as voor het omhoog brengen van het zaagblad
- Scharnier voor het roteren van het voetstuk
- Geleideassen voor omhoog brengen op de motor
- Tandwiel voor het omhoog brengen van het zaagblad
- Nokkenas van breedtegeleider
- As van de vergrendelhendels van de hulptafel (R)
- Het schuivende gedeelte van de hulptafel (R)

De koolborstels vervangen (zie afb. 49)

Verwijder en controleer de koolborstels regelmatig. Vervang de borstels wanneer ze tot aan de aangegeven limiet zijn afgesleten. Houd de koolborstels schoon en zorg ervoor dat ze vrij kunnen bewegen in de houders. Beide koolborstels dienen tegelijkertijd te worden vervangen. Gebruik alleen identieke koolborstels. Gebruik een schroevendraaier om de koolborsteldoppen te verwijderen. Voor het vervangen van de koolborstels moet u de beschermkap en het zaagblad verwijderen, de vergrendelhendel losmaken, de gereedschapkop kantelen en op een verstekhoek van 45° vastzetten. Laat het gereedschap voorzichtig achterover zakken. Maak daarna de koolborsteldop los. Verwijder de versleten koolborstels, plaats de nieuwe, en zet de koolborsteldoppen goed vast. (zie afb. 50)

Om de VEILIGHEID en BETROUWBAARHEID van het gereedschap te handhaven, dienen alle reparaties, onderhoud en afstellingen te worden uitgevoerd door een erkend Makita-servicecentrum, en altijd met gebruikmaking van originele Makita- vervangingsonderdelen.

ACCESSOIRES

LET OP:

- Deze accessoires of hulpstukken worden aanbevolen voor gebruik met het Makita-gereedschap dat in deze gebruiksaanwijzing wordt beschreven. Het gebruik van andere accessoires of hulpstukken kan gevaar voor

persoonlijk letsel opleveren. Gebruik de accessoires of hulpstukken uitsluitend voor de aangegeven gebruiksdoeleinden.

Mocht u meer informatie willen hebben over deze accessoires, dan kunt u contact opnemen met uw plaatselijke Makita-servicecentrum.

Standaard voor de tafelfcircelzaag (accessoire)

Raadpleeg de gebruiksaanwijzing van de standaard voor de tafelfcircelzaag die werd geleverd bij de los verkrijgbare standaard voor de tafelfcircelzaag.

- Hardmetalen zaagbladen
- Hulptafel (L)
- Hulptafel (achter)
- Breedtegeleider
- Verstekgeleider
- Versprongen steeksleutel 13 t/m 22
- Sleutel 19
- Inbussleutel 5
- Verbindingsstuk (voor aansluiting op stofvanger)
- Extra plaat
- Standaard voor de tafelfcircelzaag
- Schuifgeleider

Geluid ENG905-1

De typische, A-gewogen geluidsniveaus zijn gemeten volgens EN61029:

Geluidsdrukniveau (L_{pA}): 94 dB (A)

Geluidsvermogeniveau (L_{WA}): 107 dB (A)

Onzekerheid (K): 3 dB (A)

Draag gehoorbescherming.

Alleen voor Europese landen ENH003-13

EU-verklaring van conformiteit

Wij, Makita Corporation, als de verantwoordelijke fabrikant, verklaren dat de volgende Makita-machine(s):

Aanduiding van de machine:

Zaagtafel

Modelnr./Type: 2704

in serie is geproduceerd en

Voldoet aan de volgende Europese richtlijnen:

2006/42/EC

En is gefabriceerd in overeenstemming met de volgende normen of genormaliseerde documenten:

EN61029

De technische documentatie wordt bewaard door onze erkende vertegenwoordiger in Europa, te weten:

Makita International Europe Ltd.,

Michigan Drive, Tongwell,

Milton Keynes, Bucks MK15 8JD, Engeland

21. 4. 2010



Tomoyasu Kato

Directeur

Makita Corporation

3-11-8, Sumiyoshi-cho,

Anjo, Aichi, 446-8502, JAPAN

ESPAÑOL (Instrucciones originales)

Explicación de los dibujos

- | | | |
|---|---|--|
| 1. Diámetro del agujero 8 mm | 23. Llave fija | 45. Línea de guía |
| 2. Arandela estándar de 6 mm | 24. Brida interior | 46. Tornillos |
| 3. Tornillo para madera del nº 10 de 40 mm de longitud mínima | 25. Anillo | 47. Paralelo a la parte frontal/borde |
| 4. Tuerca y tornillo de montaje de 6 mm, apriéte los firmemente | 26. Hoja de sierra | 48. Tornillo para madera |
| 5. Calibrador de ingletes | 27. Brida exterior | 49. Encóleos |
| 6. Tope lateral | 28. Protector de disco | 50. Tornillos para madera del nº 10 (suficientemente largos para penetrar hasta la mitad de la cara) |
| 7. Mango | 29. Doladera | 51. Listón de empuje |
| 8. Palanca de bloqueo | 30. Porción de montaje del protector de disco (soporte) | 52. Tope auxiliar |
| 9. Puntero de flecha | 31. Disco | 53. Bloque de empuje |
| 10. Volante de mano | 32. Estas dos holguras deben ser idénticas. | 54. CORTE TRANSVERSAL |
| 11. Tornillo de ajuste a 90° | 33. Tornillos hexagonales (B) | 55. BISELADO |
| 12. Tornillo de ajuste a 45° | 34. Tornillos hexagonales (A) | 56. CORTE EN BISEL |
| 13. Interruptor | 35. Gancho | 57. BISELADO COMPUESTO (ÁNGULOS) |
| 14. Candado | 36. Perilla | 58. Placa pequeña |
| 15. Palanca | 37. Carril de guía | 59. Tornillo de tope positivo |
| 16. Sub mesa (D) | 38. Escala | 60. Canal de guía |
| 17. Placa graduada | 39. Tornillos hexagonales | 61. Marca de límite |
| 18. Tornillo | 40. Posición liberada | 62. Tapa del portaescobillas |
| 19. Sub mesa (parte posterior) | 41. Posición en movimiento | 63. Destornillador |
| 20. Sub mesa (I) | 42. Posición de bloqueo | |
| 21. Llave acodada | 43. Tornillo (B) | |
| 22. Tuerca hexagonal | 44. Tornillo (A) | |

ESPECIFICACIONES



Modelo	2704	
	(para países de Europa)	(para otros países que no sean de Europa)
Agujero del eje del disco	30 mm	25 mm y 25,4 mm
Diámetro del disco	260 mm	255 mm
Capacidad de corte máxima	90°	93 mm
	45°	64 mm
Velocidad en vacío (min ⁻¹)	4.800	
Tamaño de la mesa (L x A)	(665 mm – 1.045 mm) x (753 mm – 1.066 mm) con sub-mesas (D) y (posterior)	567 mm x (753 mm – 1.066 mm) con sub-mesa (D)
Dimensiones (Largo x Ancho x Alto) con las mesas no extendidas	715 mm x 753 mm x 344 mm con sub-mesas (D) y (posterior)	665 mm x 753 mm x 344 mm con sub-mesa (D)
Peso neto	34,9 kg	29,5 kg
Clase de seguridad	II/II	

- Debido a nuestro programa continuo de investigación y desarrollo, las especificaciones aquí descritas están sujetas a cambios sin previo aviso.
- Las especificaciones pueden ser diferentes de un país a otro.
- Peso de acuerdo con el procedimiento EPTA 01/2003



Símbolos

Se utilizan los siguientes símbolos para el equipo.

Asegúrese de que comprende su significado antes del uso.

  ... Lea el manual de instrucciones.

 DOBLE AISLAMIENTO

  ... Utilice gafas de seguridad.



..... No ponga la mano o los dedos cerca del disco.



..... Sólo para países de la Unión Europea
¡No deseche los aparatos eléctricos junto con los residuos domésticos!
De conformidad con la Directiva Europea 2002/96/CE sobre residuos de aparatos eléctricos y electrónicos y su aplicación de acuerdo con la legislación nacional, las herramientas eléctricas cuya vida útil haya llegado a su fin se deberán recoger

por separado y trasladar a una planta de reciclaje que cumpla con las exigencias ecológicas.

Uso previsto

ENE003-1

La herramienta está diseñada para cortar madera.

Alimentación

ENF002-1

La herramienta ha de conectarse solamente a una fuente de alimentación de la misma tensión que la indicada en la placa de características, y sólo puede funcionar con corriente alterna monofásica. El sistema de doble aislamiento de la herramienta cumple con las normas europeas y puede, por lo tanto, usarse también en tomacorrientes sin conductor de tierra.

Advertencias de seguridad generales para herramientas eléctricas

GEA010-1

⚠ ADVERTENCIA Lea todas las advertencias de seguridad y todas las instrucciones. La no observancia de las advertencias y las instrucciones puede provocar descargas eléctricas, incendios y/o lesiones graves.

Guarde todas las advertencias e instrucciones para futuras consultas.

REGLAS DE SEGURIDAD ADICIONALES PARA LA HERRAMIENTA

ENB095-1

GUARDE ESTAS INSTRUCCIONES.

1. Utilice gafas de seguridad.
2. No utilice la herramienta en presencia de líquidos o gases inflamables.
3. No utilice NUNCA la herramienta con un disco abrasivo de corte instalado en ella.
4. Compruebe con atención si hay fisuras o daños en el disco antes de su utilización. Cambie cualquier disco dañado o agrietado inmediatamente.
5. Utilice sólo discos de sierra recomendados por el fabricante y que cumplan con EN847-1. Compruebe que la doladera no tenga un grosor superior al del corte del disco de sierra o inferior al cuerpo del disco.
6. Utilice siempre los accesorios recomendados en este manual. El uso de accesorios no adecuados como discos abrasivos de corte puede provocar lesiones.
7. Seleccione el disco adecuado para el material que va a cortar.
8. No utilice discos fabricados con acero de corte rápido.
9. Para reducir el ruido emitido, asegúrese de que el disco esté siempre afilado y limpio.
10. Utilice discos afilados correctamente. Respete la velocidad máxima indicada en el disco.
11. Limpie el vástago, las bridas (especialmente la superficie de instalación) y la fuerza hexagonal antes de instalar el disco. Una mala instalación

podrá causar vibraciones o alabeos o bien que el disco patine.

12. Utilice el protector de disco y la doladera para todas las operaciones en las que puedan utilizarse, incluidas todas las operaciones de corte a través. Instale siempre el protector de disco siguiendo las instrucciones que se proporcionan en este manual. Las operaciones de corte a través son aquellas en las que el disco corta completamente la pieza de trabajo de parte a parte como en los cortes al hilo o transversales. No utilice NUNCA la herramienta con un protector de disco que tenga algún defecto ni lo asegure con una soga, cuerda, etc. Cualquier uso irregular del protector de disco debe corregirse inmediatamente.
13. Vuelva a montar inmediatamente el protector y la doladera tras completar una operación que requiera retirar la protección.
14. No corte objetos metálicos, tales como clavos y tornillos. Inspeccione la pieza de trabajo antes de la operación y extraiga todos los clavos, tornillos y otros objetos extraños.
15. Antes de conectar la alimentación, retire las llaves, piezas sobrantes, etc. de la mesa.
16. No utilice NUNCA guantes durante la operación.
17. Mantenga las manos alejadas de la línea del disco.
18. No se interponga NUNCA ni permita que nadie se interponga en la línea de la trayectoria del disco.
19. Antes de conectar la alimentación, asegúrese de que el disco no está en contacto con la doladera ni con la pieza de trabajo.
20. Antes de utilizar la herramienta en una pieza de trabajo, déjela en marcha un rato. Observe si se producen vibraciones o alabeo que pudieran indicar una instalación incorrecta o un disco mal equilibrado.
21. La herramienta no se debe usar para realizar muescas, ranuras o acanaladuras.
22. Reemplace el accesorio de inserción en la mesa cuando esté gastado.
23. NUNCA realice ajustes mientras la herramienta esté funcionando. Desconecte la herramienta antes de realizar ajustes.
24. Utilice un listón de empuje siempre que sea necesario. Los listones de empuje DEBEN usarse para cortes al hilo de piezas de trabajo estrechas con objeto de mantener sus manos y dedos bien alejados del disco.
25. Almacene siempre el listón de empuje cuando no lo utilice.
26. Preste especial atención a las instrucciones para reducir el riesgo de CONTRAGOLPES. Un CONTRAGOLPE es una reacción repentina provocada por un disco mal alineado, alabeado o mellado. El CONTRAGOLPE provoca el retroceso hacia el operario de la pieza de trabajo al ser expulsada de la herramienta. LOS CONTRAGOLPES PUEDEN PROVOCAR LESIONES PERSONALES GRAVES. Puede evitar los CONTRAGOLPES manteniendo el disco afilado, el tope lateral paralelo al disco, la doladera y el protector de disco en su lugar y en correcto funcionamiento, no soltando la pieza de

trabajo hasta que la haya empujado pasado el disco y no realizando cortes al hilo en una pieza de trabajo retorcida o alabeada o que no tenga un borde recto para guiarla a lo largo del tope lateral.

27. No realice ninguna operación utilizando las manos directamente. Con "utilizar las manos directamente" nos referimos a utilizar las manos para aguantar o guiar la pieza de trabajo en lugar de un tope lateral o un calibrador de ingletes.
28. No se incline NUNCA alrededor o por encima del disco. No coja NUNCA una pieza de trabajo hasta que el disco se haya detenido completamente.
29. Evite pasar la pieza de trabajo de forma brusca o rápida. Cuando corte piezas de trabajo duras, páselas lo más despacio posible. No incline ni tuerza la pieza de trabajo mientras la pasa. Si el disco se para o atasca en la pieza de trabajo, pare la herramienta inmediatamente. Desenchufe la herramienta. Luego separe la pieza del disco.
30. No retire NUNCA sobrantes próximos al disco ni toque el protector de disco mientras el disco esté girando.
31. Retire nudos sobrantes de la pieza de trabajo ANTES de iniciar el corte.
32. No maltrate el cable. Nunca tire del cable para desconectarlo de la toma de corriente. Mantenga el cable alejado del calor, aceite, agua y bordes cortantes.
33. El polvo creado por la operación contiene productos químicos que se sabe que provocan cáncer, defectos de nacimiento u otros daños reproductivos. Algunos ejemplos de esos productos químicos son:
 - plomo de materiales con pinturas con base de plomo y
 - arsénico y cromo, de madera tratada químicamente.
 - El riesgo ante estas exposiciones varía, dependiendo de la frecuencia con la que realiza este tipo de trabajo. Para reducir la exposición a estos productos químicos: trabaje en una área bien ventilada y con equipo de seguridad aprobado, como mascarillas antipolvo especialmente diseñadas para filtrar partículas microscópicas.
34. Conecte la herramienta a un dispositivo recolector de polvo cuando sierre.
35. El protector se puede levantar durante el montaje de la pieza de trabajo y para facilitar la limpieza. Asegúrese siempre de que la tapa de protección esté bajada y totalmente plana sobre la mesa de la sierra antes de enchufar la herramienta.

GUARDE ESTAS INSTRUCCIONES.

INSTALACIÓN

Colocación de la sierra de mesa (Fig. 1 – 3)

Instale la sierra de mesa en un lugar bien alumbrado y nivelado donde pueda pisar firmemente y mantener buen equilibrio. En el lugar de instalación deberá haber espacio suficiente para que usted pueda manejar fácilmente las

piezas de trabajo del tamaño que quiera cortar. La sierra de mesa deberá fijarse al banco de trabajo o al soporte de la sierra de mesa con cuatro tornillos o pernos utilizando los orificios provistos en la parte inferior de la sierra de mesa. Cuando fije la sierra de mesa sobre el banco de trabajo, asegúrese de que en la parte superior del banco de trabajo haya una abertura del mismo tamaño que la abertura que hay en la parte inferior de la sierra de mesa para que el serrín pueda caer a través de ella. Si durante la operación nota que la sierra de mesa tiene alguna tendencia a volcarse, deslizarse o moverse, deberá fijar el soporte de la sierra de mesa al suelo.

Almacenamiento de accesorios (Fig. 4 y 5)

El calibrador de ingletes, el disco y las llaves pueden almacenarse en el costado izquierdo de la base y el tope lateral puede almacenarse en el lateral derecho de la base.

DESCRIPCIÓN DEL FUNCIONAMIENTO

PRECAUCIÓN:

- Asegúrese siempre de que la herramienta esté apagada y desenchufada antes de intentar realizar cualquier tipo de ajuste o comprobación en ella.

Ajuste de la profundidad de corte (Fig. 6)

La profundidad de corte puede ajustarse girando el mango. Gire el mango hacia la derecha para subir el disco o hacia la izquierda para bajarlo.

NOTA:

- Utilice poca profundidad cuando corte materiales finos para obtener un corte más limpio.

Ajuste del ángulo de bisel (Fig. 7)

Afloje la palanca de bloqueo en sentido contrario a las agujas del reloj y gire el volante de mano hasta obtener el ángulo deseado (0° - 45°). El puntero de flecha indica el ángulo de bisel.

Una vez obtenido el ángulo deseado, apriete la palanca de bloqueo en el sentido de las agujas del reloj para fijar el ajuste realizado.

PRECAUCIÓN:

- Tras ajustar el ángulo de bisel, asegúrese de apretar firmemente la palanca de bloqueo.

Ajuste de topes positivos (Fig. 8 y 9)

La herramienta está equipada con topes positivos a 90° y 45° en relación con la superficie de la mesa. Para comprobar y ajustar los topes positivos, siga el procedimiento siguiente:

Mueva el volante de mano lo más lejos posible girándolo. Coloque una escuadra sobre la mesa y compruebe si el disco está a 90° o 45° en relación con la superficie de la mesa. Si el disco está a un ángulo mostrado en la in Fig. A, gire los tornillos de ajuste en el sentido de las agujas del reloj; si está a un ángulo mostrado en la Fig. B, gire los tornillos de ajuste en el sentido contrario a las agujas del reloj para ajustar los topes positivos.

Una vez ajustados los topes positivos, ajuste el disco a 90° en relación con la superficie de la mesa. Luego ajuste

el puntero de flecha de forma que su borde derecho quede alineado con la graduación 0°. (Fig. 10)

Accionamiento del interruptor

Para el interruptor de tipo de palanca (Fig. 11)

PRECAUCIÓN:

- Antes de enchufar la herramienta, asegúrese de que esté apagada.

Para poner en marcha la herramienta, simplemente levante la palanca del interruptor. Para detenerla, baje la palanca del interruptor.

La placa articulada de la palanca del interruptor se puede bloquear pasando un candado por el pistillo del lateral izquierdo. (Fig. 12)

Para el interruptor de tipo de botón (Fig. 13)

PRECAUCIÓN:

- Antes de su uso, asegúrese de que la herramienta se encienda y se apague.

Para poner en marcha la herramienta, pulse el botón ON (I).

Para detenerla, pulse el botón OFF (O).

Sub-mesa (D) (Fig. 14 y 15)

La herramienta se proporciona con la sub-mesa (D) en el lado derecho de la mesa principal. Para usar la sub-mesa (D), levante las dos palancas del lado derecho frontal, tire de la mesa (D) completamente y después baje las palancas para asegurarla.

Cuando utilice la sub-mesa (D), localice la placa graduada en la sub-mesa después de aflojar su tornillo con un destornillador para que esté a continuación de la placa graduada de la mesa principal. (Fig. 16)

Sub-mesa (parte posterior) (accesorio opcional para otros países que no sean europeos) (Fig. 17)

Para utilizar la sub-mesa (parte posterior), afloje los tornillos de los lados izquierdo y derecho debajo de la mesa y tire de ella hacia atrás para extraerla la longitud que desee. En la longitud deseada, apriete el tornillo firmemente.

NOTA:

- Cuando utilice la sub-mesa (parte posterior) con el tope lateral, tire de la sub-mesa (parte posterior) más de 50 mm para que no golpee contra el extremo del tope lateral.

Sub-mesa (I) (accesorio opcional) (Fig. 18)

La sub-mesa (I) (accesorio opcional) se puede instalar en el lateral izquierdo de la mesa para obtener más espacio.

MONTAJE

PRECAUCIÓN:

- Asegúrese siempre de que la herramienta esté apagada y desenchufada antes de intentar realizar cualquier trabajo en ella.

La herramienta sale de fábrica con el disco y protector de disco sin instalar. Instálelos de la siguiente forma:

Instalación o extracción del disco de sierra

PRECAUCIÓN:

- Asegúrese siempre de que la herramienta esté apagada y desenchufada antes de instalar o extraer el disco.
- Utilice sólo la llave tubular proporcionada por Makita para instalar o extraer el disco. En caso contrario, puede apretar demasiado o demasiado poco el tornillo hexagonal. Esto puede provocar lesiones.
- Utilice uno de los discos siguientes. No utilice discos que no cumplan las características especificadas en estas instrucciones.

Para el modelo	Diá. máx.	Diá. mín.	Grosor del disco	Entalladura
2704	260 mm	230 mm	1,8 mm o menos	2 mm o más

PRECAUCIÓN:

- Compruebe el diámetro del agujero del eje del disco antes de instalar el disco. Utilice siempre el anillo correcto para el agujero del eje del disco que vaya a utilizar. (Fig. 19)

Quite el accesorio de inserción en la mesa. Sujete la brida exterior con la llave acodada y afloje el tornillo hexagonal en el sentido contrario a las agujas del reloj con la llave fija. A continuación, extraiga la brida exterior.

Monte la brida interior, el anillo, el disco, la brida exterior y la tuerca hexagonal en el eje, asegurándose de que los dientes del disco están apuntando hacia abajo en la parte frontal de la mesa. Instale siempre la tuerca hexagonal con la cara ahuecada mirando hacia la brida exterior. (Fig. 20)

Para todos los países que no sean de Europa

PRECAUCIÓN:

- El anillo plateado de 25,4 mm de diámetro exterior viene instalado de fábrica en el vástago. El anillo negro de 25 mm de diámetro exterior se incluye como equipamiento estándar. Antes de montar el disco en el vástago, asegúrese siempre de que se utilice el anillo correcto en el vástago para el agujero del eje del disco que piensa utilizar.

Para países de Europa

PRECAUCIÓN:

- El anillo de 30 mm de diámetro exterior viene instalado de fábrica entre las bridas interiores y exteriores.
- Mantenga la superficie de la brida libre de suciedad o de sustancias que se puedan adherir, ya que el disco podría patinar. Asegúrese de que el disco esté instalado de forma que los dientes estén alineados con la dirección de corte (giro).

Para fijar el disco en su sitio, sujete la brida exterior con la llave acodada y, a continuación, apriete la tuerca hexagonal en el sentido de las agujas del reloj con la llave fija. **ASEGÚRESE DE APRETAR FIRMEMENTE LA TUERCA HEXAGONAL.** (Fig. 21)

PRECAUCIÓN:

- Asegúrese de sujetar la tuerca hexagonal cuidadosamente con la llave fija. Si la empuñadura

resbala, la llave puede salirse de la tuerca hexagonal y su mano podría golpear el borde afilado del disco.

Instalación del protector de disco (Fig. 22 y 23)

PRECAUCIÓN:

- Antes de instalar el protector de disco, ajuste la profundidad del corte a su elevación máxima.

Para protecciones de disco que no sean del tipo europeo

Retire la cubierta del centro. Inserte la cuchilla de corte en la parte de montaje de la protección de la hoja (soporte). Ajuste los pernos hexagonales (A) con la llave de tuerca prevista.

Para protectores de disco del tipo Europeo (Fig. 24 y 25)

Retire la cubierta del centro. Inserte la cuchilla de corte en la parte de montaje de la protección de la hoja (soporte). Ajuste los pernos hexagonales (A) con la llave de tuerca prevista.

Coloque el protector de disco en la ranura de la doladera. Fije el protector de disco haciendo girar la palanca del protector de disco.

Para protecciones de disco de tipo europeo y no europeo

La ubicación de instalación de la doladera viene ajustada de fábrica para que el disco y la doladera estén en línea recta. Sin embargo, si no están en línea recta, afloje los tornillos hexagonales (B) y ajuste la porción de montaje del protector de disco (soporte) de forma que la doladera quede alineada directamente detrás del disco. Luego apriete los tornillos hexagonales (B) para asegurar el soporte. (Fig. 26)

PRECAUCIÓN:

- Si el disco y la doladera no están alineados debidamente, podrá crearse una situación de mella peligrosa durante la operación. Asegúrese de que están bien alineados. Podría sufrir graves lesiones personales si utiliza la herramienta sin una doladera correctamente alineada.
- NUNCA realice ajustes mientras la herramienta esté funcionando. Desconecte la herramienta antes de realizar ajustes.
- No extraiga la doladera.

Debe haber una holgura de unos 4 – 5 mm entre la doladera y los dientes del disco. Afloje los pernos hexagonales (A), ajuste la doladera según sea necesario y apriete los pernos hexagonales (A) firmemente.

Coloque el accesorio de inserción en la mesa, y luego compruebe que el protector de disco funciona suavemente antes de realizar el corte. (Fig. 27)

Instalación y ajuste del tope lateral (Fig. 28)

- 1) Coloque el gancho en la punta de la guía de corte dentro del riel de guía más alejado en la mesa o mesa inferior (R) e instale y empuje hacia adelante la guía de corte para que el soporte de la guía encaje en el riel de guía más próximo.

Para deslizar el tope lateral por el carril de guía lateralmente, haga girar la perilla sobre el soporte del tope hasta la mitad de su recorrido.

Para asegurar el tope lateral, haga girar completamente la perilla en el soporte del tope.

- 2) Para deslizar la guía de corte sobre los lados del riel de guía, gire el selector del soporte de la guía completamente sin tirar de la palanca del selector.
- 3) Para retirarla, tire de la palanca del selector y gire el selector completamente hacia adelante mientras tira de la palanca.

Para comprobar que el tope lateral está paralelo al disco, fije el tope lateral a una distancia de 2 -3 mm del disco.

Suba el disco hasta elevarlo al máximo. Marque uno de los dientes del disco con una tiza. Mida la distancia (A) y (B) entre el tope lateral y el disco. Tome ambas mediciones usando el diente marcado con la tiza. Estas dos medidas deberán ser idénticas. Si el tope lateral no está paralelo al disco, siga el procedimiento siguiente: (Fig. 29 y 30)

1. Coloque la guía de corte en la posición de deslizamiento.
2. Afloje los dos tornillos hexagonales del tope lateral con la llave hexagonal proporcionada.
3. Regule el tope lateral hasta que quede paralelo al disco.
4. Gire hacia abajo el selector de la guía de corte hacia el operador.
5. Apriete los dos tornillos hexagonales del tope lateral. (Fig. 31)

PRECAUCIÓN:

- Asegúrese de ajustar el tope lateral de forma que quede paralelo al disco, o de lo contrario podrá crearse una condición de contragolpe peligrosa.

Si el tope lateral no queda firmemente ajustado, ajústelo siguiendo el procedimiento que se describe a continuación.

- (1) Coloque el tope lateral en la mesa y gire el pomo media vuelta (posición en movimiento). Apriete el tornillo (A) hasta que el tope lateral quede inmóvil. A continuación, afloje entre un cuarto de vuelta y media vuelta. (Fig. 32 y 33)
- (2) Apriete el tornillo (B) completamente y, a continuación, afloje 2 vueltas completas.
- (3) Bloquee el tope lateral girando completamente el pomo en el soporte del tope (posición de bloqueo).
- (4) Asegúrese de que puede instalar y retirar el tope lateral en la posición original (posición liberada).
- (5) Asegúrese de que el tope lateral puede deslizarse suavemente sin oscilaciones cuando se ha girado el pomo media vuelta.

PRECAUCIÓN:

- Tenga cuidado de no apretar los tornillos más allá de lo especificado en las instrucciones anteriores. De lo contrario, podría dañar las piezas apretadas.

Ponga el tope lateral pegado contra la cara del disco. Asegúrese de que la línea de guía del soporte del tope señale la graduación 0. Si la línea de guía apunta a la graduación 0, afloje el tornillo de la placa graduada y ajuste la placa graduada. (Fig. 34)

Conexión del aspirador

Las operaciones de limpieza se pueden realizar conectando la herramienta al aspirador o recolector de polvo de Makita. (Fig. 35)

MANEJO

PRECAUCIÓN:

- Utilice siempre “elementos de ayuda” tales como listones de empuje y bloques de empuje cuando exista peligro de acercar las manos o dedos al disco.
- Sujete siempre la pieza de trabajo firmemente con la mesa y el tope lateral o calibrador de ingletes. No la incline ni la tuerza mientras la pasa. Si la inclina o la tuerce mientras la pasa, podrá crear una situación de contragolpe peligrosa.
- No retire NUNCA la pieza de trabajo mientras el disco está girando. Si se ve forzado a retirarla antes de completar el corte, primero desconecte la herramienta mientras sujeta firmemente la pieza de trabajo. Antes de retirar la pieza de trabajo espere hasta que el disco se haya parado completamente. Si no procede de esta forma podrá ocasionar un contragolpe peligroso.
- No retire NUNCA los sobrantes de material estando el disco girando.
- No coloque NUNCA sus manos ni sus dedos en la trayectoria del disco. Tenga especial cuidado con los cortes biselados.
- Sujete siempre firmemente el tope lateral, o podrá ocurrir peligrosos contragolpes.
- Utilice siempre “elementos de ayuda” tales como listones de empuje y bloques de empuje cuando corte piezas de trabajo pequeñas o estrechas.

Elementos de ayuda

Los listones de empuje, bloques de empuje o topes auxiliares son tipos de “elementos de ayuda”. Utilícelos para realizar cortes seguros sin necesidad de que el operario entre en contacto con el disco o con cualquier parte del cuerpo.

Bloque de empuje (Fig. 36)

Utilice un contrachapado de 19 mm. El mango debe estar en el centro del contrachapado. Realice la unión con cola y tornillos para madera como se muestra. Siempre deben estar enganchadas al contrachapado piezas pequeñas de madera de 9,5 mm x 8 mm x 50 mm para evitar que el disco se embote si el operario corta el bloque de empuje por error. Nunca utilice clavos en el bloque de empuje.

Tope auxiliar (Fig. 37)

Haga el tope auxiliar de piezas de contrachapado de 9,5 mm y 19 mm.

Revestimiento de madera (tope lateral) (Fig. 38)

Para operaciones en las que el disco quede cerca del tope lateral deberá utilizarse una pieza de revestimiento de madera. El revestimiento de madera del tope lateral debe ser del mismo tamaño que el tope lateral. Asegúrese de que la parte inferior del revestimiento esté a nivel con la superficie de la mesa.

Corte al hilo

PRECAUCIÓN:

- Cuando corte al hilo, quite el calibrador de ingletes de la mesa.
 - Cuando corte piezas de trabajo largas o grandes, disponga siempre de un apoyo adecuado por detrás de mesa. NO PERMITA que una plancha larga se mueva o cambie de posición en la mesa. Esto hará que el disco se trabe y aumentará la posibilidad de contragolpes y lesiones personales. El apoyo deberá ser de la misma altura que la mesa.
1. Ajuste la profundidad de corte un poco por encima del grosor de la pieza de trabajo. (Fig. 39)
 2. Coloque el tope lateral en el ancho deseado y encájelo haciendo girar la empuñadura. Antes de realizar el corte al hilo, asegúrese de que el extremo posterior del tope lateral esté bien sujeto. Si no está lo suficientemente sujeto, siga los procedimientos de la sección titulada “Instalación y ajuste del tope lateral”.
 3. Ponga en marcha la herramienta y haga pasar la pieza de trabajo por el disco con suavidad apoyándola a lo largo del tope lateral.
 - (1) Cuando el ancho de corte sea de 150 mm y superior, utilice con cuidado su mano derecha para hacer pasar la pieza de trabajo. Utilice su mano izquierda para sujetar la pieza de trabajo en posición contra el tope lateral. (Fig. 40)
 - (2) Cuando el ancho de corte sea de 65 mm - 150 mm, utilice el listón de empuje para hacer pasar la pieza de trabajo. (Fig. 41)
 - (3) Cuando el ancho de corte sea inferior a 65 mm, el listón de empuje no se podrá usar porque golpeará el protector del disco. Utilice el bloque de empuje y el tope auxiliar. Coloque el tope auxiliar en el tope lateral con dos mordazas “C”. (Fig. 42) Haga pasar la pieza de trabajo a mano hasta que el extremo esté a unos 25 mm del extremo frontal de la mesa. Siga avanzando con el bloque de empuje en la parte superior del tope auxiliar hasta que se complete el corte. (Fig. 43)

Corte transversal

PRECAUCIÓN:

- Cuando haga un corte transversal, quite el tope lateral de la mesa.
- Cuando corte piezas de trabajo largas o grandes, disponga siempre de apoyo adecuado a los lados de la mesa. El apoyo deberá ser de la misma altura que la mesa.
- Mantenga siempre las manos alejadas de la trayectoria del disco.

Calibrador de ingletes (Fig. 44)

Utilice el calibrador de ingletes para los 4 tipos de cortes que se muestran en la figura.

PRECAUCIÓN:

- Fije la perilla en el calibrador de ingletes con cuidado.
- Evite el deslizamiento entre la pieza de trabajo y el calibrador sujetándolos firmemente, en especial cuando corte en ángulo.
- NUNCA sujete ni agarre la parte que se cortará de la pieza de trabajo.

- Siempre ajuste la distancia entre el extremo del calibrador de inglete y la hoja de la sierra para que no exceda los 15 mm.

Tope positivo del calibrador de ingletes (Fig. 45)

El calibrador de ingletes se suministra con topes positivos en ángulos de inglete izquierdo y derecho de 90° y 45° para un rápido ajuste de los ángulos de ingletes.

Para ajustar el ángulo del inglete, afloje la perilla del calibrador de ingletes.

Levante la placa pequeña del calibrador de ingletes para un ajuste libre. Gire el calibrador de ingletes hasta el ángulo de inglete deseado. Devuelva la placa pequeña del calibrador de ingletes a su posición original y apriete la perilla firmemente en el sentido de las agujas del reloj.

Uso del calibrador de ingletes (Fig. 46)

Deslice el calibrador de ingletes en las ranuras anchas de la mesa. Afloje la perilla del calibrador y alinéelo con el ángulo deseado (de 0° a 60°). Coloque la pieza de trabajo contra el calibrador y hágala pasar con suavidad por el disco.

Revestimiento de madera auxiliar (calibrador de ingletes) (Fig. 47)

Para evitar que un tablón largo se alabee, acople al calibrador de ingletes un tablón de tope auxiliar. Realice la unión con tornillos y tuercas después de realizar agujeros, pero los elementos de sujeción no deben sobresalir del tope auxiliar.

Transporte de la herramienta (Fig. 48)

Transporte la herramienta sujetándola para la parte que se muestra en la figura.

PRECAUCIÓN:

- Asegure siempre todas las partes móviles antes de transportar la herramienta.
- Asegúrese siempre de que el protector de la hoja esté instalado en su lugar antes de transportar la herramienta.

MANTENIMIENTO

PRECAUCIÓN:

- Asegúrese siempre de que la herramienta esté apagada y desenchufada antes de intentar realizar cualquier trabajo de inspección o mantenimiento en ella.
- Nunca utilice gasolina, benceno, disolvente, alcohol o un producto similar. Se puede provocar una decoloración, una deformación o grietas.

Limpieza

Limpie el serrín y los trozos sobrantes de vez en cuando. Limpie con cuidado el protector de disco y las partes móviles del interior de la sierra de mesa.

Lubricación

Mantenga la sierra de mesa en condiciones óptimas de funcionamiento y, para asegurar una vida útil lo más larga posible, lubrique o engrase las partes móviles y giratorias periódicamente.

Lugares a lubricar:

- Eje roscado para elevar el disco
- Articulación para girar el bastidor

- Ejes guía de elevación en el motor
- Engranaje para elevar el disco
- Carriles de guía para el tope lateral
- Palancas de bloqueo del eje de la sub-mesa (D)
- Parte deslizante de la sub-mesa (D)

Reemplazo de las escobillas de carbón (Fig. 49)

Extraiga y compruebe las escobillas de carbón regularmente. Reemplácelas cuando se gasten hasta la marca de límite. Mantenga las escobillas de carbón limpias y de forma que entren libremente en los portaescobillas. Ambas escobillas de carbón deberán ser reemplazadas al mismo tiempo. Utilice únicamente escobillas de carbón idénticas.

Utilice un destornillador para extraer las tapas de los portaescobillas. Para reemplazar las escobillas de carbón, retire el protector del disco y el disco y afloje la palanca de bloqueo, incline la cabeza de la sierra y fíjela en un ángulo de bisel de 45°. Dé la vuelta a la herramienta con cuidado hacia atrás. Afloje la tapa del portaescobillas. Extraiga las escobillas de carbón desgastadas, inserte las nuevas y cierre las tapas de los portaescobillas. (Fig. 50)

Para conservar la SEGURIDAD y la FIABILIDAD del producto, los trabajos de reparación y otros trabajos de mantenimiento y ajuste deberán ser realizados en centros de servicio autorizados de Makita, utilizando siempre repuestos Makita.

ACCESORIOS

PRECAUCIÓN:

- Se recomienda el uso de estos accesorios o complementos con la herramienta Makita especificada en este manual. El uso de otros accesorios o complementos puede conllevar el riesgo de ocasionar daños corporales. Utilice los accesorios o complementos solamente para su fin establecido.

Si necesita cualquier ayuda para obtener más información relativa a estos accesorios, pregunte al centro de servicio Makita local.

Juego de estante de mesa (acesorio)

Consulte el manual de instrucciones para obtener información sobre el estante de la sierra de mesa que se adjunta con el mismo como un accesorio opcional.

- Discos de la sierra de acero con dientes de carburo
- Sub-mesa (I)
- Sub-mesa (parte posterior)
- Tope lateral
- Calibrador de ingletes
- Llave acodada 13 – 22
- Llave 19
- Llave hexagonal 6
- Junta (para conectar el recolector de polvo)
- Placa auxiliar
- Juego de estante de mesa
- Guía deslizante

Ruido

ENG905-1

Niveles típicos de ruido ponderado A determinados
conforme a EN61029:

Nivel de presión de sonido (L_{pA}): 94 dB (A)

Nivel de potencia de sonido (L_{WA}): 107 dB (A)

Incertidumbre (K): 3 dB (A)

Utilice protección para los oídos.

Sólo para países europeos

ENH003-13

Declaración de conformidad de la CE

**Nosotros, Makita Corporation, en calidad de
fabricante responsable, declaramos que las
siguientes máquinas Makita:**

Designación de la máquina:

Sierra de mesa

Nº de modelo/ Tipo: 2704

son de producción serie y

Cumplen con las siguientes Directivas europeas:

2006/42/CE

Y se han fabricado de acuerdo con los siguientes
estándares o documentos estandarizados:

EN61029

La documentación técnica la conserva nuestro
representante autorizado en Europa, que es:

Makita International Europe Ltd.,

Michigan, Drive, Tongwell,

Milton Keynes, Bucks MK15 8JD, Inglaterra

21. 4. 2010



Tomoyasu Kato

Director

Makita Corporation

3-11-8, Sumiyoshi-cho,


Anjo, Aichi, 446-8502, JAPAN

PORTUGUÊS (Instruções de origem)

Explicação da vista geral

- | | | |
|---|--|--|
| 1. Diâmetro do orifício de 8 mm | 23. Chave | 45. Linha de guia |
| 2. Anilha 6 mm | 24. Flange interior | 46. Parafusos |
| 3. Parafuso de madeira N.º 10 com 40 mm de comprimento mínimo | 25. Anel | 47. Face/margem paralela |
| 4. Parafuso e porca de fixação de 6 mm, apertar bem | 26. Lâmina da serra | 48. Parafuso de madeira |
| 5. Calibrador de esquadria | 27. Flange exterior | 49. Colar |
| 6. Vedação para escarificação | 28. Protector da lâmina | 50. Parafusos de madeira N.º 10 (suficientemente compridos para entrar até meio na face) |
| 7. Pega | 29. Lâmina separadora | 51. Varão impulsor |
| 8. Alavanca de bloqueio | 30. Porção de montagem do protector da lâmina (estaca) | 52. Vedação auxiliar |
| 9. Ponteiro | 31. Lâmina | 53. Bloco impulsor |
| 10. Roda manual | 32. Estas duas folgas devem ser iguais. | 54. CORTE TRANSVERSAL |
| 11. Parafuso de regulação de 90° | 33. Parafusos sextavados (B) | 55. ESQUADRIA |
| 12. Parafuso de regulação de 45° | 34. Parafusos sextavados (A) | 56. CORTE DE BISEL |
| 13. Interruptor | 35. Gancho | 57. ESQUADRIA COMPOSTA (ÂNGULOS) |
| 14. Aloquete | 36. Botão | 58. Placa pequena |
| 15. Alavanca | 37. Carril de guia | 59. Parafuso para paragem positiva |
| 16. Sub mesa (D) | 38. Escala | 60. Ranhura |
| 17. Placa de escala | 39. Parafusos sextavados | 61. Marca de limite |
| 18. Parafuso | 40. Posição de libertada | 62. Tampa do suporte da escova |
| 19. Sub mesa (traseira) | 41. Posição de deslocação | 63. Chave de parafusos |
| 20. Sub mesa (E) | 42. Posição de bloqueio | |
| 21. Chave curva | 43. Parafuso (B) | |
| 22. Porca sextavada | 44. Parafuso (A) | |

ESPECIFICAÇÕES

Modelo		2704	
		(para os países europeus)	(para o resto do mundo)
Orifício de suporte		30 mm	25 mm e 25,4 mm
Diâmetro da lâmina		260 mm	255 mm
Capacidade máx. de corte	90°	93 mm	91 mm
	45°	64 mm	63 mm
Velocidade em vazio (mín. ⁻¹)		4.800	
Tamanho da mesa (C x L)		(665 mm – 1.045 mm) x (753 mm – 1.066 mm) com sub-mesas (D) e (traseira)	567 mm x (753 mm – 1.066 mm) com sub-mesa (D)
Dimensões (C x L x A) com mesa (s) recolhida		715 mm x 753 mm x 344 mm com sub-mesas (D) e (traseira)	665 mm x 753 mm x 344 mm com sub-mesa (D)
Peso líquido		34,9 kg	29,5 kg
Classe de segurança		 II	

- Devido à pesquisa e desenvolvimento constantes, estas especificações estão sujeitas a alteração sem aviso prévio.
- Estas especificações podem diferir de país para país.
- Peso de acordo com procedimento EPTA de 01/2003

Símbolos

END215-4

Descrição dos símbolos utilizados no equipamento.
Certifique-se de que compreende o seu significado, antes da utilização.



..... Não coloque a mão ou os dedos perto da lâmina.



..... Apenas para países da UE
Não deite equipamentos eléctricos no lixo doméstico!
De acordo com a directiva europeia 2002/96/CE sobre ferramentas eléctricas e electrónicas usadas e a sua aplicação para as leis nacionais, as ferramentas eléctricas usadas devem ser recolhidas em separado e encaminhadas a uma



... Leia o manual de instruções.



..... ISOLAMENTO DUPLO



... Use óculos de segurança

instalação de reciclagem dos materiais ecológicos.

Utilização a que se destina ENE003-1

A ferramenta destina-se a cortar na madeira.

Alimentação ENF002-1

A ferramenta só deve ser ligada a uma fonte de alimentação de voltagem igual à indicada na placa de características e só funciona com alimentação CA monofásica. Tem um isolamento duplo em conformidade com as normas europeias e pode, por isso, utilizar tomadas sem ligação à terra.

Avisos gerais de segurança para ferramentas eléctricas GEA010-1

⚠ AVISO Leia todos os avisos de segurança e todas as instruções. O não cumprimento dos avisos e instruções pode resultar na ocorrência de choques eléctricos, incêndios e/ou ferimentos graves.

Guarde todos os avisos e instruções para referência futura.

REGRAS DE SEGURANÇA ADICIONAIS PARA A FERRAMENTA ENB095-1

GUARDE ESTAS INSTRUÇÕES.

1. Use óculos de protecção.
2. Não utilize a ferramenta na presença de líquidos ou gases inflamáveis.
3. NUNCA utilize a ferramenta com um disco abrasivo de corte colocado.
4. Verifique cuidadosamente antes do funcionamento se a lâmina está rachada ou danificada. Substitua imediatamente as lâminas rachadas ou danificadas.
5. Utilize apenas lâminas recomendadas pelo fabricante e que estejam em conformidade com a norma EN847-1 e verifique se a lâmina separadora não está mais grossa do que a largura do corte feito pela lâmina e que não está mais fina do que o corpo da lâmina.
6. Utilize sempre os acessórios recomendados neste manual. A utilização de acessórios inadequados, tais como discos abrasivos de corte, poderão causar ferimentos.
7. Seleccione a lâmina correcta para o material a cortar.
8. Não utilize lâminas fabricadas a partir de aço de alta velocidade.
9. Para reduzir o ruído, certifique-se sempre de que a lâmina está afiada e limpa.
10. Utilize lâminas correctamente afiadas. Respeite a velocidade máxima marcada na lâmina.
11. Limpe o eixo, flanges (especialmente a superfície de instalação) e a porca sextavada, antes de colocar a lâmina. Uma instalação incorrecta pode provocar vibrações/oscilações ou resvalamento da lâmina.
12. Utilize o protector da lâmina e a lâmina de separação para todas as operações em que

possam ser utilizados, incluindo todas as operações de corte completo. Coloque sempre o protector da lâmina, seguindo as instruções apresentadas neste manual. As operações de corte completo são aquelas em que a lâmina corta completamente a peça de trabalho, tal como em escarificação ou cortes transversais. NUNCA utilize a ferramenta com um protector de lâmina defeituoso ou prenda a lâmina com uma corda ou arame, etc. Qualquer funcionamento irregular do protector da lâmina deve ser imediatamente corrigido.

13. Volte a colocar imediatamente o protector e lâmina de separação após concluir uma operação que obrigue à remoção do protector.
14. Não corte objectos de metal como pregos e parafusos. Verifique a existência e retire todos os pregos, parafusos e outro material estranho da peça de trabalho, antes de utilizar a ferramenta.
15. Retire chaves, peças cortadas, etc. da mesa antes de ligar o interruptor.
16. NUNCA use luvas durante a operação.
17. Mantenha as mãos afastadas da linha de corte da lâmina da serra.
18. NUNCA se coloque em frente, ou permita que alguém o faça, da linha de corte da lâmina da serra.
19. Antes de ligar o interruptor verifique se a lâmina não está em contacto com a lâmina de separação ou peça de trabalho.
20. Antes de utilizar a ferramenta na peça de trabalho, deixe a máquina a funcionar em seco durante algum tempo. Preste atenção a um movimento irregular ou vibração excessiva que podem indicar uma má instalação ou desequilíbrio da lâmina.
21. A ferramenta não deve utilizada para aplinar, entalhar ou ranhurar.
22. Substitua o revestimento da mesa quando estiver gasto.
23. NUNCA efectue quaisquer regulações enquanto a ferramenta estiver a funcionar. Desligue a ferramenta antes de fazer quaisquer regulações.
24. Utilize um varão impulsor quando necessário. Os varões impulsores DEVEM ser utilizados na escarificação de peças estreitas para manter as suas mãos e dedos bem afastados da lâmina.
25. Guarde sempre o varão impulsor quando não estiver a ser utilizado.
26. Preste especial atenção às instruções para reduzir o risco de RETROCESSO. O RETROCESSO é uma reacção súbita a uma lâmina deformada, empenada ou desalinhada. O RETROCESSO provoca a ejeção da peça de trabalho da máquina, para trás, na direcção do operador. OS RETROCESSOS PODEM PROVOCAR FERIMENTOS PESSOAIS GRAVES. Evite os RETROCESSOS mantendo a lâmina afiada, mantendo a vedação para escarificação paralela à lâmina e mantendo a cunha e o protector da lâmina no lugar. Trabalhe correctamente, não soltando a peça de trabalho até que tenha feito passar completamente a lâmina e não escarificando uma peça que esteja torcida ou

empenada, ou que não tenha uma aresta ou que não tenha uma aresta direita para guiar ao longo da guia.

27. Não execute nenhuma operação “com as mãos livres”. “Mãos livres” significa utilizar as mãos para suportar ou guiar a peça de trabalho, em vez de utilizar a vedação para escarificação ou calibrador de esquadria.
28. NUNCA coloque as mãos à volta ou por cima da lâmina. NUNCA coloque as mãos na peça de trabalho até que a lâmina tenha parado completamente.
29. Evite um corte abrupto e rápido. Faça o corte o mais devagar possível quando cortar peças duras. Não torça ou dobre as peças de trabalho enquanto está a cortar. Se a lâmina prender ou ficar obstruída na peça de trabalho, desligue imediatamente a máquina. Retire a ficha da tomada. Solte a lâmina.
30. NUNCA retire as peças acabadas de cortar perto da lâmina ou toque no protector da lâmina enquanto a lâmina está a funcionar.
31. Retire quaisquer nós soltos da peça de trabalho ANTES de iniciar o corte.
32. Não abuse do cabo de alimentação. Nunca puxe o cabo para desligá-lo da tomada. Mantenha o cabo longe de fontes de calor, óleo, água ou pontas afiadas.
33. Algum pó derivado da operação contém químicos que provocam o cancro, defeitos congénitos ou outros problemas reprodutivos. Alguns exemplos desses químicos são:
 - chumbo da tinta à base de chumbo e,
 - arsénico e crómio da madeira quimicamente tratada.
 - O seu risco em relação a estas exposições varia, consoante o número de vezes que faz este tipo de trabalho. Para reduzir a sua exposição a estes químicos: trabalhe numa zona bem ventilada e trabalhe com equipamento de segurança aprovado, tal como as máscaras de pó que são especialmente concebidas para filtrar partículas microscópicas.
34. Quando serrar, ligue a máquina a um dispositivo de recolha de pó.
35. O protector pode ser levantado durante a preparação da peça de trabalho e para facilitar a limpeza. Certifique-se sempre de que a cobertura do protector está para baixo e encostada contra a mesa de corte antes de ligar a ferramenta.

GUARDE ESTAS INSTRUÇÕES.

INSTALAÇÃO

Posicionamento da mesa de corte (Fig. 1 – 3)

Coloque a mesa de corte num local bem iluminado e estável, onde possa ter espaço para se movimentar e equilibrar. Deve ser instalada numa zona que deixe espaço suficiente para manusear facilmente as peças de trabalho. A mesa de corte deve ser fixa com quatro parafusos ou Pernos à mesa de trabalho ou suporte da

mesa de corte, utilizando os orifícios fornecidos no fundo da mesa de corte. Quando fixar a mesa de corte na mesa de trabalho, certifique-se de que existe uma abertura no cimo da mesa de trabalho do mesmo tamanho que a abertura no fundo da mesa de corte, por onde possa cair a serradura.

Se, durante a operação, existir uma tendência para a mesa de corte cair, deslizar ou mover-se, a mesa de trabalho ou suporte da mesa de corte devem ser presos ao chão.

Guardar os acessórios (Fig. 4 e 5)

O calibrador de esquadria, lâmina e chaves podem ser guardadas no lado esquerdo da base e a vedação para escarificação podem ser guardados no lado direito da base.

DESCRIÇÃO DO FUNCIONAMENTO

PRECAUÇÃO:

- Certifique-se sempre de que a ferramenta está desligada e com a ficha retirada da tomada de parede, antes de proceder a afinações ou verificar o funcionamento respectivo.

Ajustar a profundidade de corte (Fig. 6)

A profundidade de corte pode ser ajustada rodando a pega. Rode a pega no sentido dos ponteiros do relógio para elevar a lâmina ou no sentido contrário ao dos ponteiros do relógio para a baixar.

NOTA:

- Utilize uma definição de corte raso quando cortar materiais finos, de forma a obter um corte mais limpo.

Ajustar o ângulo de bisel (Fig. 7)

Desaperte a alavanca de bloqueio no sentido contrário aos ponteiros do relógio e rode a roda manual até que seja obtido o ângulo pretendido (0° – 45°). O ângulo de bisel é indicado pelo ponteiro.

Após obter o ângulo pretendido, aperte a alavanca do bloqueio no sentido dos ponteiros do relógio para fixar a regulação.

PRECAUÇÃO:

- Após ajustar o ângulo de bisel, certifique-se de que aperte bem a alavanca de bloqueio.

Ajustar as paragens positivas (Fig. 8 e 9)

A ferramenta está equipada com paragens positivas a 90° e 45° da superfície da mesa. Para verificar e ajustar as paragens positivas, proceda da seguinte forma:

Mova a roda manual o máximo possível, rodando-a.

Coloque uma régua triangular na mesa e verifique se a lâmina está a 90° ou 45° da superfície da mesa. Se a lâmina estiver no ângulo apresentado na Fig. A, rode os parafusos de regulação no sentido dos ponteiros do relógio; se estiver no ângulo apresentado na Fig. B, rode os parafusos de regulação no sentido contrário aos ponteiros do relógio, para ajustar as paragens positivas.

Após regular as paragens positivas, coloque a lâmina a 90° da superfície da mesa. De seguida, ajuste o ponteiro de forma a que a respectiva margem direita esteja alinhada à graduação de 0°. (Fig. 10)

Acção do interruptor

Para o interruptor do tipo alavanca (Fig. 11)

PRECAUÇÃO:

- Antes de ligar a ferramenta, certifique-se sempre de que esta está desligada.

Para pôr a ferramenta a funcionar, levante o interruptor do tipo alavanca. Para a parar, baixe o interruptor do tipo alavanca.

A placa com dobradiças do interruptor de alavanca pode ser bloqueada passando um alicete pelo olhal do lado esquerdo. (Fig. 12)

Para o interruptor do tipo botão (Fig. 13)

PRECAUÇÃO:

- Antes de a utilizar, certifique-se de que a ferramenta está desligada.

Para iniciar a ferramenta, prima o botão LIGAR (I).

Para a parar, prima o botão DESLIGAR (O).

Sub-mesa (D) (Fig. 14 e 15)

A ferramenta é fornecida com a sub-mesa (D) no lado direito da mesa principal. Para utilizar a sub-mesa (D), levante ambas as alavancas no lado dianteiro direito, puxe totalmente a mesa para fora (D) e baixe as alavancas para a fixar.

Quando utilizar a sub-mesa (D), localize a placa de escala na sub-mesa após desapertar o parafuso com uma chave de parafusos, de forma a que fique alinhada com a placa de escala na mesa principal. (Fig. 16)

Sub-mesa (traseira) (acessório opcional para os países fora da Europa) (Fig. 17)

Para utilizar a sub-mesa (traseira), desaperte os parafusos do lado esquerdo e direito sob a mesa e abra-a até atingir o comprimento pretendido. De seguida, aperte firmemente o parafuso.

NOTA:

- Quando utilizar a sub-mesa (traseira) durante a utilização da vedação para escarificação, puxe a sub-mesa (traseira) mais do que 50 mm, de forma a que não bata contra a extremidade superior da vedação para escarificação.

Sub-mesa (E) (acessório opcional) (Fig. 18)

A sub-mesa (E) (acessório opcional) pode ser instalada no lado esquerdo da mesa, para obter um espaço mais amplo.

MONTAGEM

PRECAUÇÃO:

- Antes efectuar qualquer trabalho na ferramenta, certifique-se sempre de que está desligada e de que a ficha está retirada da tomada de corrente.

A ferramenta é fornecida de série com a lâmina e o protector da lâmina não instalados. Instale da seguinte forma:

Instalar ou retirar a lâmina da serra

PRECAUÇÃO:

- Certifique-se sempre de que a ferramenta está desligada e com a ficha fora da tomada antes de instalar ou retirar a lâmina.
- Utilize apenas chave de bocas Makita fornecida para instalar ou retirar a lâmina. Se não a utilizar, a porca sextavada pode ficar demasiado ou insuficientemente apertada. Isto poderia causar ferimentos.
- Utilize a seguinte lâmina. Não utilize lâminas que não estejam em conformidade com as características especificadas nestas instruções.

Para o modelo	Diâmetro máximo	Diâmetro mínimo	Lâmina espessura	Trava
2704	260 mm	230 mm	1,8 mm ou menos	2 mm ou mais

PRECAUÇÃO:

- Verifique o diâmetro do orifício de suporte antes de instalar a lâmina. Utilize sempre o anel correcto para o orifício de suporte correcto da lâmina que pretende utilizar. (Fig. 19)

Retire o revestimento da mesa. Segure na flange exterior com a chave curva e desaperte a porca sextavada no sentido contrário aos ponteiros do relógio com a chave. De seguida, retire a flange exterior.

Monte a flange interior, anel, lâmina, flange exterior e porca sextavada no orifício de suporte, certificando-se de que os dentes da lâmina estão a apontar para baixo na frente da mesa. Instale sempre a porca sextavada com o lado com a reentrância virado para a flange exterior. (Fig. 20)

Para todos os países que não os países europeus.

PRECAUÇÃO:

- O anel prateado 25,4 no diâmetro exterior está instalado de série no eixo. O anel preto de 25 mm no diâmetro exterior é fornecido de série. Antes de instalar a lâmina no eixo, certifique-se sempre de que está instalado no eixo o anel correcto para o orifício de suporte da lâmina que pretende instalar.

Para os países europeus

PRECAUÇÃO:

- O anel de 30 mm de diâmetro exterior está instalado de série entre as flanges interior e exterior.
- Mantenha a superfície da flange sem sujidade ou outros materiais colados, uma vez que isso poderia fazer a lâmina escorregar. Certifique-se de que a lâmina está instalada de forma a que os dentes estejam alinhados na direcção de corte (rotação).

Para fixar a lâmina, segure na flange exterior com a chave curva e aperte a porca sextavada no sentido dos ponteiros do relógio com a chave. **CERTIFIQUE-SE DE QUE APERTA BEM A PORCA SEXTAVADA. (Fig. 21)**

PRECAUÇÃO:

- Certifique-se de que segura bem a porca sextavada com a chave. Se não conseguir agarrar bem a chave, a chave poderá sair da porca sextavada e mão poderia embater nas margens afiadas da lâmina.

Instalar o protector da lâmina (Fig. 22 e 23)

PRECAUÇÃO:

- Antes de instalar o protector da lâmina, ajuste a profundidade de corte para a posição mais elevada.

Para o protector da lâmina do tipo não europeu.

Retire a tampa central. Insira a lâmina separadora na parte de montagem do resguardo da lâmina (fixa). Aperte os parafusos de cabeça sextavada (A) com a chave fornecida.

Para o protector da lâmina do europeu. (Fig. 24 e 25)

Retire a tampa central. Insira a lâmina separadora na parte de montagem do resguardo da lâmina (fixa). Aperte os parafusos de cabeça sextavada (A) com a chave fornecida.

Coloque o protector da lâmina na ranhura da lâmina separadora. Fixe o protector da lâmina inclinando a alavanca no protector da lâmina.

Para o tipo de protecção de lâmina não europeu e europeu

O local de instalação da lâmina separadora está ajustada de série de forma a que a lâmina e lâmina separadora estejam num linha recta. No entanto, se não estiverem numa linha recta, desaperte os parafusos sextavados (B) e ajuste a secção de instalação do protector da lâmina (estaca), de forma a que a lâmina separadora esteja directamente alinhada por trás da lâmina. De seguida, aperte os parafusos sextavados (B) para fixar a estaca. (Fig. 26)

PRECAUÇÃO:

- Se a lâmina e a lâmina separadora não estiverem correctamente alinhadas, pode ocorrer uma situação de deformação perigosa durante o funcionamento. Certifique-se de que estão correctamente alinhadas. Pode sofrer ferimentos pessoais graves se utilizar a ferramenta sem uma lâmina separadora correctamente alinhada.
- NUNCA efectue quaisquer regulações enquanto a ferramenta estiver a funcionar. Desligue a ferramenta antes de fazer quaisquer regulações.
- Não retire a faca separadora.

Tem de existir uma folga de cerca de 4 - 5 mm entre a lâmina separadora e os dentes da lâmina. Solte os parafusos sextavados (A), ajuste a faca separadora em conformidade e aperte bem os parafusos sextavados (A). Encaixe a inserção da mesa na mesa, de seguida, certifique-se de que a protecção da lâmina funciona correctamente antes de cortar. (Fig. 27)

Instalar e ajustar a vedação para escarificação (Fig. 28)

1) Coloque o gancho na ponta do guia de corte dentro do trilho guia mais distante na mesa ou mesa inferior (R) e instale e empurre o guia de corte para a frente, de modo a que o suporte do guia encaixe no trilho guia mais próximo.

Para deslizar de lado a vedação para escarificação no carril guia, incline o manípulo no suporte da vedação até meio do curso.

Para fixar a vedação de escarificação, incline totalmente o manípulo no suporte da vedação.

- 2) Para fazer deslizar o guia de corte para os lados no trilho guia, rode totalmente o botão do suporte do guia, sem puxar o manípulo do botão.
- 3) Para proceder à sua remoção, puxe o manípulo do botão e rode o botão totalmente para a frente enquanto puxa o manípulo.

Certifique-se de que a vedação de escarificação está paralela à lâmina, fixe a vedação de escarificação a 2 - 3 mm da lâmina. Levante totalmente a lâmina. Marque um dos dentes da lâmina com um lápis. Meça a distância (A) e (B) entre a vedação de escarificação e a lâmina. Efectue ambas as medições utilizando o dente marcado com o lápis. Estas duas medições devem ser idênticas. Se a vedação para escarificação não estiver paralela à lâmina, proceda da seguinte forma: (Fig. 29 e 30)

1. Coloque o guia de corte na posição de deslizamento.
2. Desaperte os dois parafusos sextavados na vedação de escarificação utilizando a chave sextavada fornecida.
3. Ajuste a vedação de escarificação até que fique paralela à lâmina.
4. Rode o botão do guia de corte para baixo, na direcção do operador.
5. Aperte os dois parafusos sextavados na vedação para escarificação. (Fig. 31)

PRECAUÇÃO:

- Certifique-se de que ajusta a vedação de escarificação de forma a que esteja paralela à lâmina, caso contrário, poderá ocorrer um retrocesso perigoso.

Quando a vedação para escarificação não puder ser bem fixa, ajuste-a de acordo com o seguinte procedimento.

- (1) Coloque a vedação para escarificação na mesa e incline o manípulo até meio do seu curso (posição de deslocação). Aperte o parafuso (A) até que a vedação para escarificação esteja imobilizada. De seguida, solte uma volta de 1/4 a 1/2. (Fig. 32 e 33)
- (2) Aperte totalmente o parafuso (B) e solte cerca de 2 rotações completas.
- (3) Bloqueie a vedação para escarificação inclinando totalmente o manípulo no suporte de escarificação (posição de bloqueio).
- (4) Certifique-se de que a vedação de escarificação pode ser instalada e removida na posição original (posição de libertada).
- (5) Certifique-se de que a vedação para escarificação desliza suavemente sem balançar quando o manípulo está a meio do respectivo curso.

PRECAUÇÃO:

- Não aperte os parafusos com mais do que a força de aperto especificada nas instruções em cima. Caso contrário poderá danificar as partes apertadas.

Encoste a vedação para escarificação contra a parte lateral da lâmina. Certifique-se de que a linha guia no suporte da vedação está apontado para a graduação 0. Se a linha guia não apontar para a graduação 0, desaperte o parafuso na placa de escala e ajuste a placa de escala. (Fig. 34)

Ligar o aspirador

As operações de limpeza podem ser efectuadas ligando a ferramenta ao aspirador Makita ou dispositivo de recolha de pó. (Fig. 35)

FUNCIONAMENTO

PRECAUÇÃO:

- Utilize sempre “ajudantes” tais como varões impulsores e blocos impulsores quando existir o perigo das suas mãos ou dedos ficarem perto da lâmina.
- Segure sempre bem a peça de trabalho à mesa e a vedação para escarificação ou calibrador de esquadria. Não a torça ou dobre enquanto está a cortar. Se a peça de trabalho estiver dobrada ou torcida, poderão ocorrer retrocessos perigosos.
- NUNCA retire a peça de trabalho enquanto a lâmina estiver a funcionar. Se tiver de retirar a peça de trabalho antes de concluir um corte, desligue primeiro a ferramenta enquanto segura bem na peça de trabalho. Aguarde até que a lâmina pare completamente antes de retirar a peça de trabalho. Se não o fizer, poderão ocorrer retrocessos perigosos.
- NUNCA retire o material de corte enquanto a lâmina estiver a funcionar.
- NUNCA coloque as mãos ou os dedos no percurso da lâmina. Tenha especial cuidado com os cortes de bisel.
- Segure sempre bem na vedação de escarificação, caso contrário, poderão ocorrer retrocessos perigosos.
- Utilize sempre “ajudantes”, tais como hastes e blocos para empurrar, quando utilizar peças de trabalho pequenas ou estreitas.

Ajudantes

Varões impulsores, blocos impulsores ou vedações auxiliares são tipos de “ajudantes”. Utilize-os para fazer cortes seguros e precisos, sem que o operador entre em contacto com a lâmina com qualquer parte do corpo.

Bloco impulsor (Fig. 36)

Utilize uma peça de madeira de 19 mm.

A pega deve estar no centro da peça de madeira. Aperte com cola e parafusos de madeira, tal como apresentado. Deve ser sempre colada uma pequena peça de madeira 9,5 mm x 8 mm x 50 mm à peça de madeira, para evitar que a lâmina fique romba caso o operador corte o bloco impulsor por engano. (nunca coloque pregos no bloco impulsor.)

Vedação de escarificação (Fig. 37)

Faça uma vedação auxiliar a partir de peças de madeira de 9,5 mm e 19 mm.

Vedação de madeira (vedação de escarificação) (Fig. 38)

Deve ser utilizada uma vedação de madeira para operações em que a lâmina entra em contacto com a vedação para escarificação. A vedação de madeira para a vedação para escarificação deve ser do mesmo tamanho que a vedação para escarificação. Certifique-se de que o fundo da vedação está encostada à superfície da mesa.

Escarificação

PRECAUÇÃO:

- Quando efectuar a escarificação, remova o calibrador de esquadria da mesa.
- Quando cortar peças de trabalho compridas ou largas, coloque sempre um suporte adequado atrás da mesa. NÃO permita que uma prancha comprida se mova ou

desloque na mesa. Isto fará com a que a lâmina se dobre e aumentará a possibilidade de retrocesso e ferimentos pessoais. O suporte deve estar à mesma altura da mesa.

1. Ajuste a profundidade de corte para um pouco superior à espessura da peça de trabalho. (Fig. 39)
2. Posicione a vedação de escarificação para a largura pretendida de escarificação e fixe inclinando a pega. Antes de escarificar, certifique-se de que a extremidade traseira da vedação de escarificação está bem presa. Se não estiver bem presa, siga os procedimentos indicados na secção intitulada “Instalar e ajustar a vedação de escarificação”.
3. Rode a ferramenta e corte com cuidado a peça de trabalho na lâmina ao longo da vedação de escarificação.
 - (1) Quando a largura da escarificação for de 150 mm ou superior, utilize a mão direita com cuidado para cortar a peça de trabalho. Utilize a mão esquerda para fixar a peça de trabalho contra a vedação de escarificação. (Fig. 40)
 - (2) Quando a largura da escarificação for entre 65 mm - 150 mm, utilize o varão impulsor para cortar a peça de trabalho. (Fig. 41)
 - (3) Quando a largura da vedação for inferior a 65 mm, o varão impulsor não pode ser utilizado porque o varão impulsor irá embater no protector da lâmina. Utilize a vedação auxiliar e o bloco impulsor. Ligue a vedação auxiliar à vedação de escarificação com duas braçadeiras “C”. (Fig. 42)Corte a peça de trabalho à mão, até que a extremidade seja de cerca de 25 mm a partir da margem dianteira da mesa. Continue a alimentar utilizando o bloco impulsor no cimo da vedação auxiliar, até que o corte seja concluído. (Fig. 43)

Corte transversal

PRECAUÇÃO:

- Quando efectuar um corte transversal, retire a vedação para escarificação da mesa.
- Quando cortar peças de trabalho compridas ou largas, coloque sempre um suporte adequado nos lados da mesa. O suporte deve estar à mesma altura da mesa.
- Mantenha as mãos sempre afastadas do percurso da lâmina.

Calibrador de esquadria (Fig. 44)

Utilize o calibrador de esquadria para os 4 tipos de corte apresentados na imagem.

PRECAUÇÃO:

- Fixe com cuidado o manípulo no calibrador de esquadria.
- Evite arrastar a peça de trabalho e o calibrador fazendo um arranjo de suporte de peça bem firme, especialmente quando corta a um ângulo.
- NUNCA segure ou agarre a secção pretendida de “corte” da peça de trabalho.
- Regule sempre a distância entre a extremidade do medidor de ângulos e a lâmina da serra de forma a não exceder 15 mm.

Paragem positiva do calibrador de esquadria (Fig. 45)

O calibrador de esquadria é fornecido com paragens positivas a 90°, ângulos de esquadria de 45° para a

direita e esquerda, para uma configuração rápida dos ângulos de esquadria.

Para definir o ângulo de esquadria, desaperte o manípulo no calibrador de esquadria.

Levante a placa pequena no calibrador de esquadria para configurar livremente. Rode o calibrador de esquadria para o ângulo de esquadria pretendido. Volte a colocar a placa pequena no calibrador de esquadria na posição original e aperte bem o manípulo no sentido dos ponteiros do relógio.

Utilização do calibrador de esquadria (Fig. 46)

Deslize o medidor de esquadria nas ranhuras espessas da mesa. Desaperte o manípulo no calibrador e alinhe para o ângulo pretendido (0° a 60°). Encoste à vedação e corte com cuidado na lâmina.

Vedação de madeira auxiliar (calibrador de esquadria) (Fig. 47)

Para evitar que uma prancha comprida abane, instale o calibrador de esquadria com uma placa de vedação auxiliar. Aperte com parafusos/porcas após perfurar orifícios, mas os dispositivos de aperto não devem ficar salientes da face da prancha.

Ferramenta de transporte (Fig. 48)

Transporte a ferramenta segurando a ferramenta pela parte apresentada na imagem.

PRECAUÇÃO:

- Fixe sempre todas as peças móveis antes de transportar a ferramenta.
- Certifique-se sempre de que a protecção da lâmina está instalada antes de transportar a ferramenta.

MANUTENÇÃO

PRECAUÇÃO:

- Certifique-se sempre de que a ferramenta está desligada e com a ficha retirada antes de tentar fazer operações de inspecção ou de manutenção.
- Nunca utilize gasolina, benzina, diluente, álcool ou semelhante. Podem formar-se descolorações, deformações ou fissuras.

Limpeza

Limpe periodicamente a serradura e lascas existentes. Limpe com cuidado o protector da lâmina e peças móveis no interior da serra de mesa.

Lubrificação

Para manter a serra de mesa em condições ideais de funcionamento e para assegurar uma maior vida útil, lubrifique periodicamente as peças móveis e rotativas.

Locais a lubrificar:

- Veio roscado para elevar a lâmina
- Dobradiça para rodar a moldura
- Veios de guia de elevação no motor
- Engrenagem para elevar a lâmina
- Carris guia da vedação para escarificação
- Veio da sub-mesa (D) das alavancas de bloqueio
- Parte deslizante da sub-mesa (D)

Substituir as escovas (Fig. 49)

Retire e verifique regularmente as escovas. Substitua quando se desgastam para a marca limite. Mantenha as escovas limpas e soltas para poderem deslizar nos suportes. Substitua ambas as escovas ao mesmo tempo. Utilize exclusivamente escovas idênticas.

Recorra a uma chave de fendas para retirar as tampas dos suportes de escovas. Para substituir as escovas, remova o protector da lâmina e a lâmina e, de seguida, solte a alavanca de bloqueio, incline a cabeça da serra e fixe-a a um ângulo de bisel de 45°. Vire cuidadosamente a ferramenta ao contrário. De seguida, solte o tampão do suporte das escovas. Retire as escovas usadas, coloque escovas novas e fixe as tampas dos respectivos suportes das escovas. (Fig. 50)

Para manter a SEGURANÇA e FIABILIDADE do produto, as reparações e as operações de manutenção ou ajuste devem ser executadas pelos centros de assistência autorizada da Makita, utilizando peças de substituição Makita.

ACESSÓRIOS

PRECAUÇÃO:

- Estes acessórios ou extensões são recomendados para utilização com a ferramenta Makita especificada neste manual. A utilização de outros acessórios ou extensões podem provocar o risco de ferimentos. Utilize apenas o acessório ou extensão para o fim indicado.

Se precisar de informações adicionais relativas aos acessórios, contacte o centro de assistência Makita local.

Conjunto de suporte de mesa (acessório)

Consulte o manual de instruções do suporte da serra de mesa, o qual é fornecido com o próprio suporte como acessório opcional.

- Lâminas de aço e de carboneto
- Sub-mesa (E)
- Sub-mesa (traseira)
- Vedação para escarificação
- Calibrador de esquadria
- Chave curva 13 – 22
- Chave 19
- Chave sextavada 5
- União (para ligar ao colector de pó)
- Placa auxiliar
- Conjunto de suporte de mesa
- Guia deslizante

Ruído

ENG905-1

Os níveis acústicos ponderados A típicos foram determinados segundo a EN61029:

Nível de pressão sonora (L_{pA}): 94 dB (A)

Nível de potência sonora (L_{WA}): 107 dB (A)

Incerteza (K): 3 dB (A)

Use protecção para os ouvidos.

Apenas para os países europeus

ENH003-13

Declaração de conformidade CE

A Makita Corporation, na qualidade do fabricante responsável, declara que a(s) máquina(s) Makita seguinte(s):

Designação da máquina:

Serra de mesa

N.º de modelo/Tipo: 2704

são produzidas em série e

estão em conformidade com as Directivas Europeias seguintes:

2006/42/EC

E são fabricadas de acordo com as normas ou os documentos padronizados seguintes:

EN61029

A documentação técnica é mantida pelo nosso representante autorizado na Europa, que é:

Makita International Europe Ltd.,

Michigan Drive, Tongwell,

Milton Keynes, Bucks MK15 8JD, Inglaterra

21. 4. 2010



Tomoyasu Kato

Director

Makita Corporation

3-11-8, Sumiyoshi-cho,

Anjo, Aichi, 446-8502, JAPAN

DANSK (Originalvejledning)

Forklaring til generel oversigt

- | | | |
|---|--|--|
| 1. Hul med diameter 8 mm | 22. Sekskantmøtrik | 43. Skrue (B) |
| 2. 6 mm standardspændeskive | 23. Skruetrækker | 44. Skrue (A) |
| 3. Nr. 10 træskruer, min. længde 40 mm | 24. Indvendig flange | 45. Styrelinje |
| 4. 6 mm monteringsbolt & møtrik, stram godt | 25. Ring | 46. Skruer |
| 5. Geringsskala | 26. Savklinge | 47. Beklædning/kant parallel |
| 6. Parallellanslag | 27. Udvendig flange | 48. Træskruer |
| 7. Håndtag | 28. Klingebeskytter | 49. Lim sammen |
| 8. Låsearm | 29. Spaltekniv | 50. Nr. 10 træskruer (lange nok til at nå halvvejs ind i beklædningen) |
| 9. Viser | 30. Monteringsdel (stel) til klingebeskytter | 51. Skubbebind |
| 10. Håndhjul | 31. Klinge | 52. Hjælpeanslag |
| 11. 90° justeringsskruer | 32. Disse to mellemrum skal være lige store. | 53. Skubbeblok |
| 12. 45° justeringsskruer | 33. Sekskantmøtrikker (B) | 54. TVÆRSNIT |
| 13. Afbryder | 34. Sekskantmøtrikker (A) | 55. GERING |
| 14. Hængelås | 35. Krog | 56. SKRÅSNIT |
| 15. Arm | 36. Knap | 57. SAMLEGERING (VINKLER) |
| 16. Ekstrabord (H) | 37. Rullebane | 58. Lille plade |
| 17. Skalaplade | 38. Skala | 59. Skrue til faste anslag |
| 18. Skrue | 39. Sekskantmøtrikker | 60. Rille |
| 19. Ekstrabord (bagpå) | 40. Frigjort position | 61. Slidgrænse |
| 20. Ekstrabord (V) | 41. Bevægelsesposition | 62. Kulholderdækkel |
| 21. Forkrøppet skruenøgler | 42. Låst position | 63. Skruetrækker |

SPECIFIKATIONER

Model		2704	
		(for lande i Europa)	(for lande uden for Europa)
Akselhul		30 mm	25 mm og 25,4 mm
Klingediameter		260 mm	255 mm
Maks. skærekapaciteter	90°	93 mm	91 mm
	45°	64 mm	63 mm
Hastighed uden belastning (min ⁻¹)		4.800	
Bordstørrelse (L x B)		(665 mm – 1.045 mm) x (753 mm – 1.066 mm) med ekstraborde (H) og (bagpå)	567 mm x (753 mm – 1.066 mm) med ekstrabord (H)
Størrelse (L x B x H) med bord(e) ikke trukket ud		715 mm x 753 mm x 344 mm med ekstraborde (H) og (bagpå)	665 mm x 753 mm x 344 mm med ekstrabord (H)
Nettovægt		34,9 kg	29,5 kg
Sikkerhedsklasse		II	

- På grund af vores løbende forsknings- og udviklingsprogram kan specifikationerne heri ændres uden forudgående varsel.
- Specifikationerne kan variere fra land til land.
- Vægt i henhold til EPTA-procedure 01/2003

Symboler

END215-4

Følgende viser de symboler, der benyttes til udstyret. Vær sikker på, at du forstår deres betydning, før du bruger værktøjet.



..... Placer ikke hånden eller fingrene i nærheden af klingen.



..... Kun for EU-landene
Elværktøj må ikke bortskaffes som almindeligt affald!
I henhold til det europæiske direktiv 2002/96/EF om bortskaffelse af elektriske og elektroniske produkter og gældende national lovgivning skal brugt elværktøj indsamles separat og returneres til miljøgodkendt genindvinding.



... Læs brugsanvisningen.



..... DOBBELT ISOLERET



... Bær beskyttelsesbriller.

Beregnet brug

Dette værktøj er beregnet til at skære i træ.

ENE003-1


Strømforsyning

Værktøjet bør kun sluttes til en strømforsyning med den spænding, der er angivet på navnepladen, og det kan kun benyttes med enkeltfasad vekselstrøm. Det er dobbelt isoleret i overensstemmelse med europæisk standard og kan derfor også sluttes til stikkontakter uden jordforbindelse.

ENF002-1

Generelle sikkerhedsadvarsler for maskiner

GEA010-1

 **ADVARSEL** Læs alle sikkerhedsadvarsler og alle instruktioner. Hvis De ikke følger alle advarsler og instruktioner, kan det medføre elektrisk stød, brand og/eller alvorlig personskade.

Gem alle advarsler og instruktioner til senere reference.

YDERLIGERE SIKKERHEDSREGLER FOR VÆRKTØJET

ENB095-1

GEM DISSE INSTRUKTIONER

1. Bær beskyttelsesbriller.
2. Brug ikke værktøjet i nærheden af brændbare væsker eller gasser.
3. Brug ALDRIG værktøjet med en vinkelslibeskive monteret.
4. Efterse savklingen omhyggeligt for revner eller beskadigelse før brugen. Udskift øjeblikkeligt revnede eller beskadigede klinger.
5. Brug kun savklinger, der anbefales af producenten, og som overholder EN847-1, og vær opmærksom på, at spaltekniven ikke må være tykkere end savklingens skær eller tyndere end selve klingen.
6. Anvend altid det tilbehør, der anbefales i denne brugsanvisning. Brug af forkert tilbehør som f.eks. vinkelslibeskiver kan medføre personskade.
7. Vælg den rigtige savklinge til det materiale, der skal skæres i.
8. Anvend ikke savklinger, der er fremstillet af hurtigstål.
9. Sørg for, at klingen altid er skarp og ren, for at reducere støjniveauet.
10. Anvend korrekt sløbne savklinger. Overhold den maksimale hastighed, der er angivet på savklingen.
11. Rengør spindelen, flangerne (især monteringsfladen) og søkskantomtrikken, før klingen monteres. Forkert montering kan medføre, at klingen vibrerer/slingrer eller glider.
12. Brug savklingebeskytteren og spaltekniven til alle betjening, som de kan anvendes til, inklusive alle gennemsavninger. Monter altid klingebeskytteren ifølge instruktionerne i denne brugsanvisning. Gennemsavninger er betjening, hvor klingen skærer helt igennem arbejdsemnet, for eksempel flæksavning eller tværnsnit. De må

- ALDRIG anvende værktøjet med en beskadiget klingebeskytter eller fastgøre klingebeskytteren med reb, snor, osv. Enhver fejlfunktion i klingebeskytteren skal rettes øjeblikkeligt.
13. Monter med det samme klingebeskytteren og spaltekniven igen, når De har udført arbejde, der kræver afmontering af klingebeskytteren.
 14. SSKær ikke i genstande som fx søm og skruer. Se efter, og fjern alle søm, skruer og andre fremmedlegemer fra arbejdsemnet før arbejdet.
 15. Fjern skrueøgler, afskårne træstykker osv. fra bordet, før der tændes på afbryderen.
 16. Bær ALDRIG handsker under betjening.
 17. Hold hænderne borte fra savklingens bevægelseslinje.
 18. Stå ALDRIG selv, og tillad IKKE andre at stå, på linje med savklingens bevægelse.
 19. Sørg for, at klingen ikke har kontakt med spaltekniven eller arbejdsemnet, før der tændes på afbryderen.
 20. Lad værktøjet køre et stykke tid, før det benyttes på et arbejdsemne. Se efter vibration eller slinger, der kan tyde på en forkert monteret eller dårligt afbalanceret klinge.
 21. Værktøjet må ikke anvendes til notning, falsning eller mejsling.
 22. Udskift bordpladeindlægget, når det er slidt.
 23. Udfør ALDRIG justeringer, mens værktøjet kører. Tag værktøjet ud af forbindelse, før De udfører nogen justeringer.
 24. Anvend en skubbepind, når det er nødvendigt. Der SKAL anvendes skubbepinde til flækning af smalle emner for at holde Deres hænder og fingre på sikker afstand af klingen.
 25. Gem skubbepinden, når den ikke anvendes.
 26. Vær særligt opmærksom på instruktioner for reduktion af risikoen for TILBAGESLAG. TILBAGESLAG er en pludselig reaktion på en fastklemt, låst eller forkert justeret savklinge. TILBAGESLAG medfører, at arbejdsemnet udstødes fra værktøjet og tilbage mod operatøren. TILBAGESLAG KAN MEDFØRE ALVORLIG PERSONSKADE. Undgå TILBAGESLAG ved at holde klingen skarp, ved at holde parallellanslaget parallelt med klingen, ved at holde spaltekniven og klingebeskytteren på plads og i funktionsdygtig stand, ved ikke at slippe arbejdsemnet, før De har skubbet det hele vejen forbi klingen og ved ikke at spalte et arbejdsemne, der er forvredet, har slået sig eller ikke har en lige kant, som det kan fremføres langs parallellanslaget med.
 27. Udfør ikke noget arbejde på frihånd. Frihånd vil sige, at De benytter Deres hænder til at støtte eller styre arbejdsemnet i stedet for et parallellanslag eller en geringskala.
 28. Ræk ALDRIG omkring eller over savklingen. Ræk ALDRIG efter et arbejdsemne, før savklingen er stoppet helt.
 29. Undgå hurtig fremføring eller fremføring i ryk. Fremfør så langsomt som muligt ved savning i hårde arbejdsemner. Undgå at bøje eller vride arbejdsemnet under fremføring. Hvis savklingen klemmes fast eller låses i arbejdsemnet, skal De

- øjeblikkeligt slukke for værktøjet. Tag værktøjet ud af forbindelse. Afhjælp derefter problemet.
30. Fjern ALDRIG afskårne stykker i nærheden af klingen, og berør ikke klingebeskytteren, mens klingene bevæger sig.
 31. Fjern løse knuder fra arbejdsområdet, FØR arbejdet påbegyndes.
 32. Undgå misbrug af ledningen. Træk aldrig i ledningen når du frakobler den fra stikkontakten. Hold ledningen væk fra varme, olie, vand og skarpe kanter.
 33. Noget støv, der opstår i forbindelse med betjeningen, indeholder kemikalier, som kan forårsage kræft, fødselsdefekter og andre forplantningsskader. Eksempler på disse kemikalier er:
 - Bly fra emner, der er malet med blybaseret maling, og
 - Arsenik og krom fra kemisk behandlet træ.
 - Deres risiko ved udsættelse for disse stoffer varierer, afhængigt af hvor ofte De udfører denne type arbejde. Sådan reducerer De udsættelsen for disse kemikalier: Arbejd på et godt ventileret sted, og arbejd med godkendt sikkerhedsudstyr, for eksempel støvmasker, der er specielt udviklet til bortfiltrering af mikroskopiske partikler.
 34. Slut værktøjet til et støvopsamlingsapparat, mens der saves.
 35. Klingebeskytteren kan løftes ved placering af arbejdsområdet samt for at lette rengøringen. Sørg altid for, at klingebeskytteren er nede, og at den ligger fladt mod savbordet, før strømmen tilsluttes.

GEM DISSE INSTRUKTIONER.

MONTERING

Montering af den stationære rundsav (Fig. 1–3)

Placer den stationære rundsav på et godt oplyst og jævnt sted, hvor De kan bevare fodfæstet og balancen. Den bør monteres på et sted, hvor der er tilstrækkelig plads til, at De nemt kan håndtere størrelsen af Deres arbejdsområde. Den stationære rundsav skal fastgøres med fire skruer eller bolte til arbejdsbænken eller understellet ved hjælp af hullerne i bunden af saven. Ved fastgørelsen af den stationære rundsav på arbejdsbænken skal De sørge for, at arbejdsbænkens top er forsynet med en åbning af samme størrelse som åbningen i bunden af den stationære rundsav, så savsmulden kan falde ned. Hvis der under betjeningen er nogen tendens til, at saven kan vælte, glide eller bevæge sig, skal arbejdsbænken eller understellet forankres til gulvet.

Opbevaring af tilbehør (Fig. 4 og 5)

Geringsskalaen, klingene og skruenøglerne kan opbevares i venstre side af basen, og parallelanslaget kan opbevares i højre side af basen.

FUNKTIONSBESKRIVELSE

FORSIGTIG:

- Sørg altid for, at værktøjet er slukket, og at stikket er taget ud af stikkontakten, før De justerer værktøjet eller kontrollerer dets funktion.

Indstilling af snitdybde (Fig. 6)

Snitdybden kan indstilles ved at dreje på håndtaget. Drej håndtaget med uret for at hæve klingene eller mod uret for at sænke dem.

BEMÆRK:

- Brug en lille dybdeindstilling ved skæring i tynde materialer for at opnå et renere snit.

Indstilling af skråsnitsvinkel (Fig. 7)

Løsn låsearmen mod uret, og drej håndhjulet, indtil den ønskede vinkel (0°–45°) er opnået. Viseren angiver skråsnitsvinklen.

Når den ønskede vinkel er opnået, strammes låsearmen med uret for at fastholde indstillingen.

FORSIGTIG:

- Sørg for at skrue låsearmen godt fast, når skråsnitsvinklen er indstillet.

Indstilling af faste anslag (Fig. 8 og 9)

Værktøjet har faste anslag ved vinklerne 90° og 45° i forhold til bordfladen. Benyt denne fremgangsmåde for at kontrollere og indstille de faste anslag:

Drej håndhjulet så langt, som det er muligt. Placer en trekantet lineal på bordet, og kontroller, om klingene danner en vinkel på 90° eller 45° med bordfladen. Hvis klingene befinder sig i en vinkel som vist i Fig. A, drejes justeringsskruerne med uret. Hvis den befinder sig i en vinkel som vist i Fig. B, drejes justeringsskruerne mod uret for at indstille de faste anslag.

Når de faste anslag er justeret, indstilles klingene til 90° i forhold til bordfladen. Indstil derefter viseren, så dens højre kant er rettet ind efter 0°-gradsinddelingen. (Fig. 10)

Betjening af afbryderen

For kontakthåndtaget (Fig. 11)

FORSIGTIG:

- Kontroller altid, at der er slukket for værktøjet, før det sluttes til stikkontakten.

For at starte værktøjet skal De blot løfte kontakthåndtaget. Sænk kontakthåndtaget for at stoppe værktøjet.

Den monterede afbryderplade kan låses fast ved at sætte hængelåsen gennem haspen i venstre side. (Fig. 12)

For knapafbryderen (Fig. 13)

FORSIGTIG:

- Kontroller, om der er tændt eller slukket for værktøjet før betjeningen.

For at starte værktøjet skal De trykke på knappen ON (I). Tryk på knappen OFF (O) for at slukke for værktøjet.

Ekstrabord (H) (Fig. 14 og 15)

Værktøjet er forsynet med et ekstrabord (H) i højre side af hovedbordet. For at anvende ekstrabordet (H) skal De

løfte begge håndtag foran til højre, trække bordet (H) helt ud og derefter sænke håndtagene for at fastgøre det. Når ekstrabordet (H) anvendes, skal De placere skalapladen på ekstrabordet efter at have løsnet skruen med en skruetrækker, så den ligger i forlængelse af skalapladen på hovedbordet. (Fig. 16)

Ekstrabord (bagpå) (ekstraudstyr for lande uden for Europa) (Fig. 17)

For at anvende ekstrabordet (bagpå) skal De løsne skrueerne i venstre og højre side under bordet og trække det bagud til den ønskede længde. Stram skruen igen, når bordet er trukket ud til den ønskede længde.

BEMÆRK:

- Når ekstrabordet (bagpå) anvendes under brug af parallelenslaget, skal underbordet (bagpå) trækkes mindst 50 mm ud, så det ikke støder mod parallelenslagets øverste ende.

Ekstrabord (V) (fås som tilbehør) (Fig. 18)

Ekstrabord (V) (tilbehør) kan monteres i bordets venstre side for at få bedre plads.

MONTERING

FORSIGTIG:

- Sørg altid for, at værktøjet er slukket og taget ud af stikkontakten, før De udfører nogen form for arbejde på værktøjet.

Værktøjet leveres fra fabrikken uden savklingen og klingebeskytteren monteret. Sådan samles værktøjet:

Montering eller afmontering af savklingen

FORSIGTIG:

- Sørg altid for, at værktøjet er slukket og taget ud af forbindelse, før De monterer eller afmonterer savklingen.
- Anvend kun den medfølgende Makita-topnøgle til at montere eller afmontere klingen. Hvis De ikke gør det, risikerer De at stramme sekskantmøtrikken for meget eller for lidt. Dette kan medføre personskaade.
- Anvend følgende savklinge. Anvend ikke savklinger, der ikke opfylder de specifikationer, som er angivet i denne brugsanvisning.

For model	Maks. diameter	Min. diameter	Klinge-tykkelse	Savsnit
2704	260 mm	230 mm	1,8 mm eller derunder	2 mm eller mere

FORSIGTIG:

- Kontroller diameteren af savklingsens akselhul, før klingen monteres. Anvend altid den korrekte ring, der passer til akselhullet på den klinge. De ønsker at anvende. (Fig. 19)

Fjern bordpladeindlægget i bordet. Hold den udvendige flange med den forkrøppede nøgle, og løsn sekskantmøtrikken ved at dreje den mod uret med skruenøglen. Tag derefter den udvendige flange af. Saml den indvendige flange, ringen, savklingen, den udvendige flange og sekskantmøtrikken på akslen, idet

De sørger for, at klingens tænder peger nedad ved bordets forende. Monter altid sekskantmøtrikken med den forsænkede side vendt mod den udvendige flange. (Fig. 20)

For alle lande uden for Europa

FORSIGTIG:

- Den sølvfarvede ring med en udvendig diameter på 25,4 mm er monteret på spindelen fra fabrikken. Den sorte ring med en udvendig diameter på 25 mm medfølger som standardudstyr. Før De monterer klingen på spindelen, skal De altid sørge for, at den korrekte ring til akselhullet på den klinge, De vil anvende, er monteret på spindelen.

For lande i Europa

FORSIGTIG:

- Ringene med en udvendig diameter på 30 mm er monteret fra fabrikken mellem den indvendige og udvendige flange.
- Hold flangens overflade ren for snavs og andre fremmedlegemer, der sidder fast, da det kan få klingen til at glide. Sørg for, at klingen er monteret, så tænderne peger i skæretretningen (drejereetningen).

For at sætte klingen godt på plads skal De holde den udvendige flange fast med den forkrøppede nøgle og derefter stramme sekskantmøtrikken i urets retning med skruenøglen. SØRG FOR AT SPÆNDE SEKSANTMØTRIKKET FAST TIL. (Fig. 21)

FORSIGTIG:

- Sørg for at holde godt fast i sekskantmøtrikken med skruenøglen. Hvis De mister grebet, kan skruenøglen glide af sekskantmøtrikken, og Deres hånd kan ramme de skarpe kanter på klingen.

Montering af klingebeskytteren (Fig. 22 og 23)

FORSIGTIG:

- Indstil skæredybden til den maksimale højde, før klingebeskytteren monteres.

For ikke-europæiske klingebeskyttere

Fjern det midterste dæksel. Sæt spaltekniven ind i monteringsdelen (stellet) til klingebeskytteren. Stram sekskantmøtrikkerne (A) med den medfølgende skruenøgle.

For europæiske klingebeskyttere (Fig. 24 og 25)

Fjern det midterste dæksel. Sæt spaltekniven ind i monteringsdelen (stellet) til klingebeskytteren. Stram sekskantmøtrikkerne (A) med den medfølgende skruenøgle.

Monter klingebeskytteren i rillen på spaltekniven. Fastspænd klingebeskytteren ved at dreje håndtaget på klingebeskytteren.

Gælder både europæiske og ikke-europæiske beskyttelseskærme

Placeringen af spaltekniven er indstillet fra fabrikken, så klingen og spaltekniven er monteret på linje. Hvis de ikke befinder sig på linje, skal De løsne sekskantmøtrikkerne (B) og indstille monteringsdelen (stel) til klingebeskytteren, så spaltekniven er placeret direkte bag klingen. Stram derefter sekskantmøtrikkerne (B) for at fastgøre stellet. (Fig. 26)

FORSIGTIG:

- Hvis klingens og spaltekniven ikke er justeret korrekt, kan opstå en farlig fastklemning under brugen. Sørg for, at de er justeret korrekt. De kan komme alvorligt til skade under brugen af værktøjet, hvis spaltekniven ikke er korrekt justeret.
- Udfør ALDRIG justeringer, mens værktøjet kører. Tag værktøjet ud af forbindelse, før De foretager justeringer.
- Fjern ikke spaltekniven.

Der skal være et mellemrum på cirka 4 - 5 mm mellem spaltekniven og klingetænderne. Løsn sekskantskrue(r) (A), juster spaltekniven efter behov og stram sekskantboltene (A) til. Monter bordindsatsen på bordet, kontroller derefter at beskyttelseskærmen fungerer ordentligt inden savning. (Fig. 27)

Montering og indstilling af parallelanslaget (Fig. 28)

- 1) Fastgør kroen på spidsen af parallelanslaget til den fjerneste rullebane på bordet eller ekstrabordet (H), og monter og skub parallelanslaget fremad, så anlages holder sidder på den nærmeste rullebane. Hvis De vil glide parallelanslaget sidelæns på rullebanen, skal De dreje på knappen på anlages holder til halvvejs i dens bevægelsesafstand. Drej knappen på anlages holder helt fast for at fastgøre parallelanslaget.
- 2) For at glide parallelanslaget sidelæns på rullebanen skal De dreje knappen på holderen til parallelanslaget helt tilbage uden at trække i håndtaget på knappen.
- 3) For at fjerne det skal De trække i grebet på knappen og dreje knappen helt fremad, mens der trækkes i håndtaget.

For at kontrollere, at parallelanslaget sidder parallelt med klingens, skal parallelanslaget fastgøres 2–3 mm fra klingens. Hæv klingens til den maksimale højde. Sæt et mærke på en af tænderne på klingens med et stykke farvekridt. Mål afstanden (A) og (B) mellem parallelanslaget og klingens. Mål begge afstandene med den tand, der er mærket med kridtet. De to mål skal være identiske. Benyt denne fremgangsmåde, hvis parallelanslaget ikke sidder parallelt med klingens: (Fig. 29 og 30)

1. Placer parallelanslaget i glidepositionen.
2. Løsn de to sekskantmøtrikker på parallelanslaget med den medfølgende skrueøgle.
3. Indstil parallelanslaget, så det bliver parallelt med klingens.
4. Drej knappen på parallelanslaget mod operatøren.
5. Stram de to sekskantmøtrikker på parallelanslaget. (Fig. 31)

FORSIGTIG:

- Sørg for at indstille parallelanslaget, så det er parallelt med klingens, da der ellers kan opstå en farlig situation med tilbageslag.

Hvis parallelanslaget ikke kan fastgøres solidt, skal det justeres på følgende måde.

- (1) Placer parallelanslaget på bordet, og drej knappen halvvejs i dens bevægelsesbane (bevægelsesposition). Stram skruen (A), indtil parallelanslaget ikke kan flytte sig. Løsn derefter skruen mellem 1/4 og 1/2 omgang. (Fig. 32 og 33)

- (2) Stram skruen (B) helt, og løsn den derefter cirka 2 hele omgange.
- (3) Lås parallelanslaget fast ved at dreje knappen på holderen til anlages helt (låst position).
- (4) Kontrollér, at parallelanslaget kan monteres og afmonteres i den oprindelige position (frigjort position).
- (5) Kontrollér, at parallelanslaget kan glide ubesværet uden slingren, når knappen er drejet halvvejs i dens bevægelsesbane.

FORSIGTIG:

- Pas på ikke at stramme skrue(r) mere end det strammingsmoment, der er angivet i instruktionerne ovenfor. Hvis du ikke overholder dette, kan det beskadige de fastgjorte dele.

Placer parallelanslaget mod siden af klingens. Sørg for, at styrelinjen på anlages holder peger mod 0°-gradinddelingen. Hvis styrelinjen ikke peger mod 0°-gradinddelingen, skal De løsne skruen på skalapladsen og indstille skalapladsen. (Fig. 34)

Tilslutning til støvsuger

Rengøring kan udføres ved at slutte værktøjet til en Makita-støvsuger eller -støvsopsamler. (Fig. 35)

BETJENING

FORSIGTIG:

- Brug altid "arbejdshjælpere" som f.eks. skubbepinde og skubbeblokke, når der er risiko for, at Deres hænder eller fingre vil komme i nærheden af klingens.
- Hold altid godt fast på arbejdsområdet med bordet og parallelanslaget eller geringsskalaen. Bøj eller vrid det ikke under fremføringen. Hvis arbejdsområdet bøjes eller vrides, kan der opstå farlige situationer med tilbageslag.
- Træk ALDRIG arbejdsområdet tilbage, mens klingens roterer. Hvis det er nødvendigt at trække arbejdsområdet tilbage, før et snit er fuldført, skal De først slukke for værktøjet, mens De holder godt fast i arbejdsområdet. Vent, til klingens står helt stille, før arbejdsområdet trækkes tilbage. Hvis De ikke gør dette, kan der opstå farligt tilbageslag.
- Fjern ALDRIG afskåret materiale, mens klingens roterer.
- Anbring ALDRIG Deres hænder eller fingre i savklingens bane. Vær især forsigtig ved skråsnit.
- Spænd altid parallelanslaget godt fast, da der ellers kan forekomme farlige tilbageslag.
- Brug altid hjælpemidler som f.eks. skubbestokke og trykklodser, når du saver små eller smalle arbejdsområder.

Arbejdshjælpere

Skubbepinde, skubbeblokke eller hjælpeslag er forskellige typer af "arbejdshjælpere". Brug dem til at save sikkert og trygt, uden at nogen del af operatørens krop kommer i kontakt med klingens.

Skubbeblok (Fig. 36)

Brug et 19 mm stykke krydsfiner.

Håndtaget skal sidde i midten af krydsfinerstykket.

Fastgør det med lim og træskruer som vist. Der skal altid limes et lille stykke træ på 9,5 mm x 8 mm x 50 mm på krydsfineren for at forhindre, at klingens bliver sløv, hvis

operatøren kommer til at skubbe blokken ind i den. Anvend aldrig søm i en skubbeblok.

Hjælpeanslag (Fig. 37)

Lav et hjælpeanslag af krydsfinerstykker på 9,5 mm og 19 mm.

Træbeklædning (parallelanslag) (Fig. 38)

Der skal benyttes en træbeklædning til formål, hvor klingens støder på parallelanslaget. Parallelanslagets træbeklædning skal have samme størrelse som parallelanslaget. Sørg for, at bunden af beklædningen flugter med bordfladen.

Flæksavning

FORSIGTIG:

- Ved flæksavning skal geringsskalaen fjernes fra bordet.
- Når der saves i lange eller store arbejdsemner, skal De altid sørge for passende understøttelse bag ved bordet. SØRG FOR, at lange brædder ikke kan flytte sig på bordet. Dette kan få klingens til at sidde fast og skabe forøget risiko for tilbageslag og personskade. Understøttelsen skal have samme højde som bordet.

1. Indstil skæredybden er smule højere end arbejdsemnets tykkelse. (Fig. 39)
2. Indstil parallelanslaget til den ønskede savedybde, og lås det fast ved at dreje med grebet. Sørg for, at parallelanslagets bagende er solidt fastgjort før savningen. Hvis det ikke sidder godt fast, skal De følge fremgangsmåderne i afsnittet "Montering og indstilling af parallelanslaget".
3. Tænd for værktøjet, og før forsigtigt arbejdsemnet mod klingens langs parallelanslaget.
 - (1) Hvis savedybden er 150 mm eller større, skal De forsigtigt benytte højre hånd til at fremføre arbejdsemnet. Brug venstre hånd til at holde arbejdsemnet ind mod parallelanslaget. (Fig. 40)
 - (2) Hvis savedybden er 65-150 mm, skal De bruge en skubbepind til at fremføre arbejdsemnet. (Fig. 41)
 - (3) Hvis savedybden er mindre end 65 mm, kan skubbepinden ikke benyttes, da pinden vil støde mod klingebeskytteren. Anvend hjælpeanslaget og skubbeblokken. Fastgør hjælpeanslaget til parallelanslaget med to "C"-klemmer. (Fig. 42) Fremfør arbejdsemnet med hånden, indtil enden er ca. 25 mm fra bordets forkant. Fortsæt fremføringen med skubbeblokken oven på hjælpeanslaget, indtil savningen er færdig. (Fig. 43)

Tværsnit

FORSIGTIG:

- Ved udførelse af et tværsnit fjernes parallelanslaget fra bordet.
- Når der saves i lange eller store arbejdsemner, skal De altid sørge for passende understøttelse i begge sider af bordet. Understøttelsen skal have samme højde som bordet.
- Hold altid hænderne væk fra savklingens bane.

Geringsskala (Fig. 44)

Anvend geringsskalaen til de 4 typer savning, der er vist i figuren.

FORSIGTIG:

- Stram knappen på geringsskalaen omhyggeligt.
- Undgå, at arbejdsemnet og skalaen vandrør, ved at anbringe arbejdsemnet solidt. Dette er især vigtigt, når der saves i vinkel.
- Tag ALDRIG fat i eller hold den del af arbejdsemnet, der skal saves af.
- Indstil altid afstanden mellem enden af geringsskalaen og savklingen, så den ikke overskrider 15 mm.

Faste anslag på geringsskalaen (Fig. 45)

Geringsskalaen har faste anslag ved 90° og 45° højre og venstre geringsvinkler for at lette indstillingen af geringsvinkler.

Løsn knappen på geringsskalaen for at indstille geringsvinklen.

Løft den lille plade på geringsskalaen for fri indstilling. Drej geringsskalaen til den ønskede geringsvinkel. Sæt den lille plade på geringsskalaen tilbage i den oprindelige position, og stram knappen godt i urets retning.

Brug af geringsskalaen (Fig. 46)

Skub geringsskalaen ind i de tykke riller i bordet. Løsn knappen på skalaen, og indstil til den ønskede vinkel (0° til 60°). Før materialet op, så det flugter med anslaget, og fremfør det forsigtigt mod klingens.

Hjælpebeklædning (geringskala) (Fig. 47)

Forsyn geringsskalaen med en hjælpebeklædning for at forhindre, at lange brædder slingrer. Bor huller, og fastgør med bolte/møtrikker, men fastgøringmaterialet må ikke stikke ud fra forsiden.

Transport af værktøjet (Fig. 48)

Bær værktøjet ved at holde i de dele, som vises i figuren.

FORSIGTIG:

- Fastgør alle bevægelige dele, før værktøjet transporteres.
- Sørg altid for, at klingebeskyttelsen er på plads, før værktøjet transporteres.

VEDLIGEHOLDELSE

FORSIGTIG:

- Sørg altid for, at værktøjet er slukket, og at stikket er taget ud, før De forsøger at udføre inspektion eller vedligeholdelse.
- Brug aldrig benzin, benzen, fortynder, alkohol eller lignende. Det kan muligvis medføre misfarvning, deformation eller revner.

Rengøring

Fjern jævnlige savsmuld og spåner. Rengør omhyggeligt klingebeskytteren og de bevægelige dele inde i den stationære sav.

Smøring

For at holde den stationære rundsav i tip-top stand, og for at sikre maksimal levetid, skal bevægelige og roterende dele olieres eller smøres jævnligt.

Smørsteder:

- Gevindspindel til hævnning af klinge
- Hængsel til drejning af ramme
- Hævestyreaksler på motor

- Gear til hævnng af klinge
- Styreskinner til parallelanslag
- Skaft til låsearme på ekstrabord (H)
- Glidende del af ekstrabord (H)

Udskiftning af kulbørster (Fig. 49)

Tag regelmæssigt kulbørsterne af, og efterse dem. Udskift dem, når de er nedslidt til slidgrænsen. Hold kulbørsterne rene og frie til at glide i holderne. Begge kulbørsterne skal udskiftes samtidig. Brug altid identiske kulbørster.

Brug en skruetrækker til at fjerne kulholderdækslerne. For at udskifte kulbørsterne skal De afmontere klingebeskytteren og klingen og derefter løsne låsearmen, vippe savhovedet og fastgøre det i en skråsnitsvinkel på 45°. Vip forsigtigt værktøjet bagud. Løsn derefter kulholderdækslet. Tag de udslidte kulbørster ud, indsæt de nye, og fastgør kulholderdækslerne. **(Fig. 50)**

For at holde produktet SIKKERT og PÅLIDELIGT skal reparationer samt al anden vedligeholdelse eller justering udføres af autoriserede Makita-servicecentre, og der skal altid benyttes Makita-reservedele.

TILBEHØR

FORSIGTIG:

- Dette tilbehør eller ekstraudstyr anbefales til brug med det Makita-værktøj, som er beskrevet i denne brugsanvisning. Brug af andet tilbehør eller ekstraudstyr kan forårsage personskade. Brug kun tilbehør eller ekstraudstyr til det formål, det er beregnet til.

Henvend Dem til Deres lokale Makita-servicecenter, hvis De har brug for hjælp eller yderligere oplysninger vedrørende tilbehøret.

Arbejdsbænk (tilbehør)

Se i brugsanvisningen til den arbejdsbænk, der leveres som tilbehør til den stationære rundsav.

- Savklinger med stål- og karbidspids
- Ekstrabord (V)
- Ekstrabord (bagpå)
- Parallelanslag
- Geringskala
- Forkrøppet skruenøgle 13–22
- Skruenøgle 19
- Umbracconøgle 5
- Samling (til tilslutning af støvopsamler)
- Ekstraplade
- Bænk
- Glidestøtte

Støj

Det typiske A-vægtede støjniveau bestemt i overensstemmelse med EN61029:

Lydtryksniveau (L_{pA}): 94 dB (A)
 Lydeffektniveau (L_{WA}): 107 dB (A)
 Usikkerhed (K): 3 dB (A)

Bær høreværn.

ENG905-1

Kun for europæiske lande

ENH003-13

EF-overensstemmelseserklæring

Vi, Makita Corporation, erklærer som ansvarlig producent at følgende Makita-maskine(r):

Maskinens betegnelse:

Stationær rundsav

Modelnummer/ type: 2704

er en produktionsserie og

Overholder følgende europæiske direktiver:

2006/42/EF

Og er produceret i overensstemmelse med følgende standarder eller standardiserede dokumenter:

EN61029

Den tekniske dokumentation findes hos vores autoriserede repræsentant i Europa:

Makita International Europe Ltd.,

Michigan Drive, Tongwell,

Milton Keynes, Bucks MK15 8JD, England

21. 4. 2010



Tomoyasu Kato

Direktør

Makita Corporation

3-11-8, Sumiyoshi-cho,

Anjo, Aichi, 446-8502, JAPAN

ΕΛΛΗΝΙΚΑ (Πρωτογενείς οδηγίες)

Περιγραφή γενικής όψης

- | | | |
|--|---|--|
| 1. Οπή διαμέτρου 8mm | 22. Εξαγωνικό παξιμάδι | 44. Βίδα (Α) |
| 2. Στάντα ροδέλα 6mm | 23. Κλειδί | 45. Οδηγός γραμμή |
| 3. Ξυλόβιδα αρ. 10 με ελάχιστο μήκος 40mm | 24. Εσωτερική φλάντζα | 46. Βίδες |
| 4. Μπουλόνι και παξιμάδι στερέωσης 6mm σφιγμένα καλά | 25. Δακτύλιος | 47. Παράλληλη πρόσωση/άκρο |
| 5. Μετρητής απόκλισης | 26. Πριονωτή λάμα | 48. Ξυλόβιδα |
| 6. Οδηγός κομματιού | 27. Εξωτερική φλάντζα | 49. Κολλήστε μαζί |
| 7. Λαβή | 28. Προφυλακτήρας λάμας | 50. Ξυλόβιδες αρ. 10 (αρκετά μακριές για να διεισδύσουν έως τη μέση της επένδυσης) |
| 8. Μοχλός ασφάλισης | 29. Λεπίδα τεμαχισμού | 51. Ράβδος προώθησης |
| 9. Βέλος δείκτη | 30. Τμήμα στήριξης του προφυλακτήρα λάμας (υποστήριγμα) | 52. Βοηθητικός οδηγός |
| 10. Χειροκίνητος τροχός | 31. Λάμα | 53. Εμπόδιο προώθησης |
| 11. Ρυθμιστική βίδα 90° | 32. Αυτές οι δύο ανοχές πρέπει να είναι ίσες | 54. ΔΙΑΜΗΚΕΣ ΚΟΨΙΜΟ |
| 12. Ρυθμιστική βίδα 45° | 33. Εξαγωνικά μπουλόνια (Β) | 55. ΑΠΟΚΛΙΣΗ |
| 13. Διακόπτης λειτουργίας | 34. Εξαγωνικά μπουλόνια (Α) | 56. ΛΟΞΟΤΟΜΟ ΚΟΨΙΜΟ |
| 14. Κλειδίωμα | 35. Αγκιστρο | 57. ΣΥΝΘΕΤΗ ΑΠΟΚΛΙΣΗ (ΓΩΝΙΕΣ) |
| 15. Μοχλός | 36. Κουμπί | 58. Μικρή πινακίδα |
| 16. Βοηθητικό τραπέζι (δεξιά) | 37. Οδηγός ράγα | 59. Βίδα για θετικό αναστολέα (θετικό στοπ) |
| 17. Πινακίδα βαθμολογημένης κλίμακας | 38. Βαθμολογημένη κλίμακα | 60. Αυλάκι |
| 18. Βίδα | 39. Εξαγωνικά μπουλόνια | 61. Ένδειξη ορίου |
| 19. Βοηθητικό τραπέζι (πίσω) | 40. Ελευθερωμένη θέση | 62. Καπάκι υποδοχέα για το καρβονάκι |
| 20. Βοηθητικό τραπέζι (αριστερό) | 41. Θέση κίνηση | 63. Κατσαβίδι |
| 21. Κλειδί αντιστηρίγματος (αγκωνώτο) | 42. Θέση κλειδώματ | |
| | 43. Βίδα (Β) | |

ΤΕΧΝΙΚΑ ΧΑΡΑΚΤΗΡΙΣΤΙΚΑ

Μοντέλο	2704	
	(για ευρωπαϊκές χώρες)	(για χώρες εκτός Ευρώπης)
Οπή άξονα	30 mm	25 mm και 25,4 mm
Διάμετρος λάμας	260 mm	255 mm
Μέγιστες δυνατότητες κοπής	90°	93 mm
	45°	64 mm
Ταχύτητα χωρίς φόρτο (min ⁻¹)	4.800	
Διαστάσεις τραπέζιου (Μ x Π)	(665 mm – 1.045 mm) x (753 mm – 1.066 mm) με τα βοηθητικά τραπέζια (δεξιά) και (πίσω)	567 mm x (753 mm – 1.066 mm) με βοηθητικό τραπέζι (δεξιά)
Διαστάσεις (Μ x Π x Υ) χωρίς το τραπέζι ή τα τραπέζια να είναι ανοιχτά	715 mm x 753 mm x 344 mm με τα βοηθητικά τραπέζια (δεξιά) και (πίσω)	665 mm x 753 mm x 344 mm με βοηθητικό τραπέζι (δεξιά)
Καθαρό βάρος	34,9 κιλά	29,5 κιλά
Τάξη ασφάλειας	II/II	

- Λόγω του συνεχόμενου προγράμματος που εφαρμόζουμε για έρευνα και ανάπτυξη, τα τεχνικά χαρακτηριστικά στο παρόν έντυπο υπόκεινται σε αλλαγή χωρίς προειδοποίηση.
- Τα τεχνικά χαρακτηριστικά ενδέχεται να διαφέρουν ανάλογα με τη χώρα.
- Βάρος σύμφωνα με τη διαδικασία ΕΡΤΑ 01/2003

Σύμβολα

Παρακάτω παρουσιάζονται τα σύμβολα που χρησιμοποιούνται για τον εξοπλισμό. Βεβαιωθείτε ότι κατανοείτε τη σημασία τους πριν από τη χρήση.

END215-4



... Φοράτε γυαλιά ασφαλείας.



..... Μην πλησιάζετε τα χέρια και τα δάκτυλα σας κοντά στη λάμα.



... Διαβάστε τις οδηγίες χρήσης.



..... ΔΙΠΛΗ ΜΟΝΩΣΗ



..... Μόνο για τις χώρες της ΕΕ
Μην απορρίπτετε ηλεκτρικές συσκευές στον κάδο οικιακών απορριμάτων!
Σύμφωνα με την ευρωπαϊκή οδηγία 2002/96/ΕΚ περί ηλεκτρικών και ηλεκτρονικών συσκευών και την ενσωμάτωση της στο εθνικό δίκαιο, οι ηλεκτρικές συσκευές πρέπει να συλλέγονται ξεχωριστά και να επιστρέφονται για ανακύκλωση με τρόπο φιλικό προς το περιβάλλον.

Προοριζόμενη χρήση

ENE003-1

Το εργαλείο προορίζεται για το κόψιμο ξύλου.

Παροχή ρεύματος

ENF002-1

Το εργαλείο πρέπει να συνδέεται μόνο σε ηλεκτρική τροφοδοσία της ίδιας τάσης με αυτήν που αναγράφεται στην πινακίδα ονομαστικών τιμών και μπορεί να λειτουργήσει μόνο με εναλλασσόμενο μονοφασικό ρεύμα. Τα εργαλεία αυτά διαθέτουν διπλή μόνωση που συμμορφώνεται με τα ευρωπαϊκά πρότυπα και συνεπώς μπορούν να συνδεθούν με πρίζες χωρίς γείωση.

Γενικές Προειδοποιήσεις Ασφαλείας Του Ηλεκτρικού Εργαλείου

GEA010-1

⚠ ΠΡΟΕΙΔΟΠΟΙΗΣΗ Διαβάστε όλες τις προειδοποιήσεις ασφαλείας και όλες τις οδηγίες. Αν δεν ακολουθήσετε όλες τις προειδοποιήσεις και τις οδηγίες, υπάρχει κίνδυνος ηλεκτροπληξίας, πυρκαγιάς ή/και σοβαρού τραυματισμού.

Φυλάξτε όλες τις προειδοποιήσεις και τις οδηγίες για μελλοντική αναφορά.

ΠΡΟΣΘΕΤΟΙ ΚΑΝΟΝΕΣ ΑΣΦΑΛΕΙΑΣ ΓΙΑ ΤΟ ΕΡΓΑΛΕΙΟ

ENB095-1

ΦΥΛΑΞΤΕ ΑΥΤΕΣ ΤΙΣ ΟΔΗΓΙΕΣ.

1. Να φοράτε προστασία ματιών.
2. Μη χρησιμοποιείτε το εργαλείο παρουσία εύφλεκτων υγρών ή αερίων.
3. Μη χρησιμοποιείτε ΠΟΤΕ το εργαλείο με τοποθετημένο ένα λειαντικό δίσκο κοπής.
4. Ελέγχετε προσεκτικά τη λάμα για ρωγμές ή βλάβη πριν από τη λειτουργία. Αντικαταστήστε αμέσως μια λάμα με ρωγιή ή βλάβη.
5. Να χρησιμοποιείτε μόνο πριονωτές λάμες που συνιστώνται από τον κατασκευαστή και που συμμορφώνονται με το πρότυπο EN847-1, και να φροντίζετε η λεπίδα τεμαχισμού να μην είναι πιο παχιά από το πλάτος κοπής της πριονωτής λάμας και να μην είναι πιο λεπτή από το σώμα της λάμας.
6. Να χρησιμοποιείτε πάντοτε εξαρτήματα που συνιστώνται στο παρόν εγχειρίδιο. Αν χρησιμοποιείτε ακατάλληλα εξαρτήματα, όπως λειαντικό δίσκο κοπής, μπορεί να προκληθεί τραυματισμός.

7. Επιλέξτε τη σωστή πριονωτή λάμα για το υλικό που πρόκειται να κοπεί.
8. Μη χρησιμοποιείτε πριονωτές λάμες που είναι κατασκευασμένες από ταχυχάλυβα.
9. Για να μειώσετε το θόρυβο, να βεβαιώνεστε πάντοτε ότι η λάμα είναι αιχμηρή και καθαρή.
10. Χρησιμοποιείτε πριονωτές λάμες που έχουν ακονιστεί σωστά. Παρατηρήστε τη μέγιστη ταχύτητα που είναι σημειωμένη επάνω στην πριονωτή λάμα.
11. Καθαρίστε τον άξονα, τις φλάντζες (ειδικά την επιφάνεια εγκατάστασης) και το εξαγωνικό παξιμάδι πριν τοποθετήσετε τη λάμα. Η κακή εγκατάσταση μπορεί να προκαλέσει δόνηση/ταλάντωση ή γλίστρημα της λάμας.
12. Χρησιμοποιήστε τον προφυλακτήρα της πριονωτής λάμας και τη λεπίδα τεμαχισμού για κάθε κατεργασία όπου μπορούν να χρησιμοποιηθούν, συμπεριλαμβανομένων και όλων των κατεργασιών διαμήκους πριονίσματος. Να τοποθετείτε πάντοτε τον προφυλακτήρα της λάμας ακολουθώντας τις οδηγίες που περιγράφονται στο παρόν εγχειρίδιο. Οι κατεργασίες διαμήκους πριονίσματος είναι οι κατεργασίες όπου η λάμα κόβει εξ' ολοκλήρου από το ένα άκρο του τεμαχίου εργασίας στο άλλο, όπως σε τεμαχισμό ή διαμήκης κόψιμο. Μη χρησιμοποιείτε ΠΟΤΕ το εργαλείο με ελαττωματικό προφυλακτήρα λάμας και μην ασφαλίζετε τον προφυλακτήρα λάμας με σκοινί, κορδόνι κτλ. Οποιαδήποτε ανώμαλη λειτουργία του προφυλακτήρα λάμας πρέπει να διορθώνεται αμέσως.
13. Να συνδέετε ξανά τον προφυλακτήρα και τη λεπίδα τεμαχισμού όταν ολοκληρώσετε μια κατεργασία η οποία απαιτεί αφαίρεση του προφυλακτήρα.
14. Μην κόβετε μεταλλικά αντικείμενα όπως καρφιά και βίδες. Πριν από τη λειτουργία, ελέγξτε αν υπάρχουν και αφαιρέστε όλα τα καρφιά, τις βίδες και τα άλλα ξένα αντικείμενα από το τεμάχιο εργασίας.
15. Αφαιρέστε τα κλειδιά, τα κομμένα κομμάτια κτλ. από το τραπέζι πριν ενεργοποιηθεί ο διακόπτης λειτουργίας.
16. Μη φοράτε ΠΟΤΕ γάντια κατά τη λειτουργία.
17. Φυλάξτε τα χέρια σας μακριά από την τροχιά της πριονωτής λάμας.
18. Μη στέκεστε και μην επιτρέπετε ΠΟΤΕ σε οποιονδήποτε άλλο να στέκετε στην ευθεία με την τροχιά της πριονωτής λάμας.
19. Βεβαιωθείτε ότι η λάμα δεν ακουμπάει τη λεπίδα τεμαχισμού ή το τεμάχιο εργασίας πριν ενεργοποιήσετε το διακόπτη λειτουργίας.
20. Πριν χρησιμοποιήσετε το εργαλείο στο τεμάχιο εργασίας, αφήστε το να λειτουργήσει για λίγο χρονικό διάστημα. Παρακολουθήστε για δονήσεις ή ταλαντώσεις που θα μπορούσαν να φανερώσουν κακή τοποθέτηση ή ανεπαρκή ζυγοστάθμιση της λάμας.
21. Δεν πρέπει να χρησιμοποιείτε το εργαλείο για να κάνετε σχισμές, να ανοίγετε θέσεις υποδοχών ή να χαράζετε αυλάκια.
22. Αντικαταστήστε το ένθετο τραπεζιού όταν φθαρεί.

23. Μην εκτελείτε ΠΟΤΕ τυχόν ρυθμίσεις ενώ το εργαλείο βρίσκεται σε λειτουργία. Αποσυνδέστε το εργαλείο από την πηγή τροφοδοσίας πριν εκτελέσετε τυχόν ρυθμίσεις.
24. Χρησιμοποιήστε μια ράβδο προώθησης όταν αυτό απαιτείται. Οι ράβδοι προώθησης ΠΡΕΠΕΙ να χρησιμοποιούνται για το πριόνισμα στενών τεμαχίων εργασίας ώστε να μόνουν τα χέρια και τα δάκτυλά σας αρκετά μακριά από τη λάμα.
25. Να αποθηκεύετε πάντοτε τη ράβδο προώθησης όταν δεν τη χρησιμοποιείτε.
26. Δώστε ιδιαίτερη προσοχή ΣΤΙΣ ΟΔΗΓΙΕΣ για τη μείωση του κινδύνου ΚΛΟΤΣΗΜΑΤΟΣ. Το ΚΛΟΤΣΗΜΑ είναι μια ξαφνική αντίδραση όταν η πριονωτή λάμα είναι αποκομμένη, πιασμένη ή ευθυγραμμισμένη λάθος. Το ΚΛΟΤΣΗΜΑ προκαλεί την εκτίναξη του τεμαχίου εργασίας από το εργαλείο προς τα πίσω στη μεριά του χειριστή. ΤΟ ΚΛΟΤΣΗΜΑ ΜΠΟΡΕΙ ΝΑ ΠΡΟΚΑΛΕΣΕΙ ΣΟΒΑΡΟ ΠΡΟΣΩΠΙΚΟ ΤΡΑΥΜΑΤΙΣΜΟ. Να αποφεύγετε τα ΚΛΟΤΣΗΜΑΤΑ διατηρώντας τη λάμα καλά ακονισμένη, διατηρώντας τον οδηγό κομματιού παράλληλο με τη λάμα, διατηρώντας τη λεπίδα τεμαχισμού και τον προφυλακτήρα λάμας στη θέση τους και σε καλή λειτουργία, αποκλείοντας την απελευθέρωση του τεμαχίου εργασίας ώσπου να το έχετε προωθήσει σε όλη τη διαδρομή μέσα από τη λάμα και αποκλείοντας το πριόνισμα ενός τεμαχίου εργασίας το οποίο είναι παραμορφωμένο ή περιτυλιγμένο ή που δεν έχει μια ευθύγραμμη πλευρά για να οδηγηθεί κατά μήκος του οδηγού.
27. Μην πραγματοποιείτε οποιαδήποτε κατεργασία με ελεύθερα χέρια. Ο όρος «ελεύθερα χέρια» σημαίνει να χρησιμοποιείτε τα χέρια σας για να υποστηρίξετε ή να οδηγήσετε το τεμάχιο εργασίας αντί να χρησιμοποιείτε έναν οδηγό κομματιού ή ένα μετρητή απόκλισης.
28. Μην πλησιάζετε ΠΟΤΕ γύρω ή επάνω από την πριονωτή λάμα. Μην προσπαθείτε ΠΟΤΕ να φτάσετε ένα τεμάχιο εργασίας έως ότου η πριονωτή λάμα σταματήσει τελείως.
29. Αποφεύγετε την απότομη, βιαστική τροφοδοσία. Τροφοδοτείτε όσο πιο αργά γίνεται, όταν κόβετε σκληρά τεμάχια εργασίας. Μη λυγίζετε και μην παραμορφώνετε τεμάχια εργασίας ενώ τροφοδοτείτε. Εάν μπλοκάρει η φρακάρετε τη λάμα στο τεμάχιο εργασίας, σβήστε αμέσως το εργαλείο. Αποσυνδέστε το εργαλείο από την παροχή ρεύματος. Μετά απελευθερώστε το φρακάρισμα.
30. Μην απομακρύνετε ΠΟΤΕ κομμένα κομμάτια κοντά στη λάμα και μην ακουμπάτε τον προφυλακτήρα της λάμας ενώ η λάμα περιστρέφεται.
31. Βγάλετε τυχόν χαλαρούς κόμπους από το τεμάχιο εργασίας ΠΡΙΝ ξεκινήσετε να κόβετε.
32. Μην κακομεταχειρίζεστε το ηλεκτρικό καλώδιο. Ποτέ να μην τραβάτε το καλώδιο για να το αποσυνδέσετε από τη πρίζα. Να διατηρείτε το ηλεκτρικό καλώδιο μακριά από τη θερμότητα, τα λάδια και τις αιχμηρές άκρες.
33. Κάποια σωματίδια σκόνης που δημιουργούνται κατά τη λειτουργία περιέχουν χημικές ουσίες για

τις οποίες είναι γνωστό ότι προκαλούν καρκίνο, γενετικές ανωμαλίες και άλλες αναπαραγωγικές βλάβες. Μερικά παραδείγματα τέτοιων χημικών ουσιών είναι:

- ο μόλυβδος από υλικά βαμμένα με χρώμα που έχει ως βάση το μόλυβδο,
 - το αρσενικό και το χρώμιο από ξυλεία που έχει υποστεί χημική επεξεργασία.
 - Ο κίνδυνος από την έκθεση σας στα παραπάνω ποικίλλει ανάλογα με τη συχνότητα με την οποία εκτελείτε αυτού του είδους εργασίες. Για να μειώσετε την έκθεση σας σε αυτές τις χημικές ουσίες: Να εργάζεστε σε χώρο με καλό εξαερισμό και να εργάζεστε με εγκεκριμένο εξοπλισμό ασφάλειας, όπως προσωπίδα κατά της σκόνης που είναι ειδικά σχεδιασμένη να φιλτράρει μικροσκοπικά σωματίδια.
34. Συνδέστε το εργαλείο με συσκευή συλλογής σκόνης όταν πριονίζετε.
 35. Μπορείτε να ανυψώσετε τον προφυλακτήρα κατά τη ρύθμιση του τεμαχίου εργασίας, αλλά και για εύκολο καθάρισμα. Να βεβαιώνετε πάντοτε ότι το κάλυμμα του προφυλακτήρα είναι κατεβασμένο και επίπεδο με το τραπέζι πριονισμού πριν βάλετε το φως του εργαλείου στην πρίζα.

ΦΥΛΑΞΤΕ ΑΥΤΕΣ ΤΙΣ ΟΔΗΓΙΕΣ.

ΤΟΠΟΘΕΤΗΣΗ

Καθορισμός της θέσης του τραπέζιου πριονισμού (Εικ. 1 – 3)

Εγκαταστήστε το τραπέζι πριονισμού σε μια καλά φωτισμένη και επίπεδη επιφάνεια όπου μπορείτε να επιτύχετε καλό πάτημα και ισορροπία. Πρέπει να τοποθετηθεί σε μια περιοχή η οποία αφήνει αρκετό χώρο για τον εύκολο χειρισμό του μεγέθους των τεμαχίων εργασίας. Το τραπέζι πριονισμού θα πρέπει να είναι στερεωμένο με τέσσερις βίδες ή μπουλόνια στον πάγκο εργασίας ή στη βάση του τραπέζιου πριονισμού χρησιμοποιώντας τις οπές που βρίσκονται στο κάτω μέρος του τραπέζιου πριονισμού. Όταν στερεώνετε το τραπέζι πριονισμού στον πάγκο εργασίας, βεβαιωθείτε ότι υπάρχει ένα άνοιγμα στο επάνω μέρος του πάγκου εργασίας ίδιου μεγέθους με το άνοιγμα στο κάτω μέρος του τραπέζιου πριονισμού έτσι ώστε τα πριονίδια να μπορούν να πέφτουν ανάμεσα. Αν κατά τη διάρκεια της λειτουργίας εμφανιστεί κάποια τάση ανατροπής, ολίσθησης ή μετακίνησης του τραπέζιου πριονισμού, ο πάγκος εργασίας ή η βάση του τραπέζιου πριονισμού θα πρέπει να στερεωθούν στο πάτωμα.

Αποθήκευση εξαρτημάτων (Εικ. 4 και 5)

Ο μετρητής απόκλισης, η λεπίδα και τα κλειδιά μπορούν να αποθηκευτούν στην αριστερή πλευρά της βάσης και ο οδηγός κομματιού μπορεί να αποθηκευτεί στη δεξιά πλευρά της βάσης.

ΠΕΡΙΓΡΑΦΗ ΛΕΙΤΟΥΡΓΙΑΣ

ΠΡΟΣΟΧΗ:

- Να βεβαιώνετε πάντοτε ότι το εργαλείο είναι σβηστό και αποσυνδεδεμένο από το ρεύμα πριν ρυθμίσετε ή ελέγξετε κάποια λειτουργία του.

Ρύθμιση του βάθους κοπής (Εικ. 6)

Το βάθος κοπής μπορεί να ρυθμιστεί με περιστροφή της λαβής. Περιστρέψτε τη λαβή δεξιόστροφα για να αυυώσετε τη λάμα ή αριστερόστροφα για να τη χαμηλώσετε.

ΠΑΡΑΤΗΡΗΣΗ:

- Χρησιμοποιήστε ρύθμιση μικρού βάθους όταν κόβετε λεπτά υλικά ώστε να επιτυγχάνετε πιο καθαρό κόψιμο.

Ρύθμιση της γωνίας λοξοτομής (Εικ. 7)

Ξεσφίξτε το μοχλό ασφάλισης αριστερόστροφα και περιστρέψτε το χειροκίνητο τροχό ώσπου να επιτευχθεί η επιθυμητή γωνία ($0^\circ - 45^\circ$). Η γωνία λοξοτομής προσδιορίζεται από το βέλος δείκτη.

Μετά την επίτευξη της επιθυμητής γωνίας, σφίξτε το μοχλό ασφάλισης δεξιόστροφα για να ασφαλίσετε τη ρύθμιση.

ΠΡΟΣΟΧΗ:

- Αφού ρυθμίσετε τη γωνία λοξοτομής, βεβαιωθείτε να σφίξετε καλά το μοχλό ασφάλισης.

Ρύθμιση των θετικών αναστολέων (θετικά στοπ) (Εικ. 8 και 9)

Το εργαλείο διαθέτει θετικά στοπ σε 90° και 45° από την επιφάνεια του τραπέζιού. Για να ελέγξετε και να ρυθμίσετε τα θετικά στοπ, εργαστείτε ως εξής:

Μετακινήστε το χειροκίνητο τροχό όσο πιο πολύ γίνεται περιστρέφοντάς τον. Τοποθετήστε έναν τριγωνικό χάρακα επάνω στο τραπέζι και ελέγξτε να δείτε αν η λάμα βρίσκεται σε 90° ή 45° από την επιφάνεια του τραπέζιού. Εάν η λάμα βρίσκεται υπό γωνία όπως φαίνεται στην Εικ. Α, περιστρέψτε τις ρυθμιστικές βίδες δεξιόστροφα. Εάν βρίσκεται υπό γωνία όπως φαίνεται στην Εικ. Β, περιστρέψτε τις ρυθμιστικές βίδες αριστερόστροφα για να ρυθμίσετε τα θετικά στοπ.

Αφού ρυθμίσετε τα θετικά στοπ, ρυθμίστε τη λάμα στις 90° με την επιφάνεια του τραπέζιού. Κατόπιν, ρυθμίστε το βέλος δείκτη έτσι ώστε η δεξιά του άκρη να είναι ευθυγραμμισμένη με τις 0° της βαθμολογημένης κλίμακας. (Εικ. 10)

Δράση διακόπτη

Για το διακόπτη τύπου μοχλού (Εικ. 11)

ΠΡΟΣΟΧΗ:

- Πριν βάλετε το φως του εργαλείου στην πρίζα, να βεβαιώσετε πάντοτε ότι το εργαλείο είναι απενεργοποιημένο.

Για να ξεκινήσετε το εργαλείο, σηκώστε το μοχλό διακόπτη. Για να το σταματήσετε, χαμηλώστε το μοχλό διακόπτη.

Μπορείτε να ασφαλίσετε τον εύκαμπτο μοχλό διακόπτη της πλάκας αν περάσετε το κλειδίωμα μέσα από την κλάπα στο δεξιό μέρος. (Εικ. 12)

Για το διακόπτη τύπου κουμπιού (Εικ. 13)

ΠΡΟΣΟΧΗ:

- Πριν από τη λειτουργία, βεβαιωθείτε ότι το εργαλείο ενεργοποιείται και απενεργοποιείται.

Για να ξεκινήσετε το εργαλείο, πιέστε το πλήκτρο ON (I). Για να το σταματήσετε, πιέστε το πλήκτρο OFF (O).

Βοηθητικό τραπέζι (δεξιά) (Εικ. 14 και 15)

Το εργαλείο αυτό διατίθεται με βοηθητικό τραπέζι (δεξιά) στη δεξιά πλευρά του κύριου τραπέζιού. Για να χρησιμοποιήσετε το βοηθητικό τραπέζι (δεξιά), σηκώστε και τους δύο μοχλούς στην μπροστινή δεξιά πλευρά, τραβήξτε εντελώς προς τα έξω το τραπέζι (δεξιά) και μετά χαμηλώστε τους μοχλούς για να το ασφαλίσετε.

Όταν χρησιμοποιείτε το βοηθητικό τραπέζι (δεξιά), εντοπίστε την πινακίδα βαθμολογημένης κλίμακας στο βοηθητικό τραπέζι, αφού ξεσφίξετε τη βίδα που βρίσκεται σε αυτό με το κατσαβίδι, ώστε να γίνει συνεχόμενο με την πινακίδα βαθμολογημένης κλίμακας στο κύριο τραπέζι. (Εικ. 16)

Βοηθητική πλάκα (πίσω)

(προαιρετικό εξάρτημα για άλλες χώρες εκτός των Ευρωπαϊκών) (Εικ. 17)

Για να χρησιμοποιήσετε το βοηθητικό τραπέζι (πίσω) ξεσφίξτε τις βίδες στην αριστερή και στη δεξιά πλευρά κάτω από το τραπέζι και τραβήξτε το πίσω προς τα έξω στο επιθυμητό μήκος. Στο επιθυμητό μήκος, σφίξτε τις βίδες καλά.

ΠΑΡΑΤΗΡΗΣΗ:

- Όταν χρησιμοποιείτε το βοηθητικό τραπέζι (πίσω) ταυτόχρονα με τη χρήση του οδηγού κομματιού, τραβήξτε προς τα έξω το βοηθητικό τραπέζι (πίσω) περισσότερο από 50 mm ώστε να μη χτυπά στην επάνω άκρη του οδηγού κομματιού.

Βοηθητικό τραπέζι (αριστερό)

(προαιρετικό εξάρτημα) (Εικ. 18)

Μπορείτε να τοποθετήσετε το βοηθητικό τραπέζι (αριστερό) (προαιρετικό εξάρτημα) στην αριστερή πλευρά του τραπέζιού για να έχετε περισσότερο χώρο.

ΣΥΝΑΡΜΟΛΟΓΗΣΗ

ΠΡΟΣΟΧΗ:

- Να βεβαιώνετε πάντοτε ότι το εργαλείο είναι σβηστό και αποσυνδεδεμένο από το ηλεκτρικό ρεύμα πριν εκτελέσετε οποιαδήποτε εργασία σε αυτό.

Το εργαλείο αποστέλλεται από το εργοστάσιο χωρίς να είναι τοποθετημένη η πριονωτή λάμα και ο προφυλακτικής λάμας. Συναρμολογήστε ως εξής:

Τοποθέτηση ή αφαίρεση της πριονωτής λάμας

ΠΡΟΣΟΧΗ:

- Να βεβαιώνετε πάντοτε ότι το εργαλείο είναι σβηστό και αποσυνδεδεμένο από το ρεύμα πριν τοποθετήσετε ή αφαιρέσετε τη λάμα.
- Χρησιμοποιείτε μόνο το παρεχόμενο κλειδί της Makita για να τοποθετήσετε ή για να αφαιρέσετε τη λάμα. Αν δεν το κάνουν αυτό, μπορεί να σφίξετε υπερβολικά ή να

μη σφίξετε αρκετά το εξαγωνικό μπουλόνι. Κάτι τέτοιο μπορεί να προκαλέσει τραυματισμό.

- Χρησιμοποιήστε την ακόλουθη πριονωτή λάμα. Μη χρησιμοποιείτε πριονωτές λάμες που δεν συμμορφώνονται με τα χαρακτηριστικά που καθορίζονται σε αυτό το εγχειρίδιο οδηγιών.

Για το μοντέλο	Μέγιστη διάμετρος	Ελάχιστη διάμετρος	Πάχος λάμας	Εντομή
2704	260 mm	230 mm	1,8 mm ή λιγότερο	2 mm ή περισσότερο

ΠΡΟΣΟΧΗ:

- Ελέγξτε τη διάμετρο της οπής άξονα της λάμας πριν τοποθετήσετε τη λάμα. Να χρησιμοποιείτε πάντοτε το σωστό δακτύλιο για την οπή άξονα της λάμας που σκοπεύετε να χρησιμοποιήσετε. **(Εικ. 19)**

Αφαιρέστε το ένθετο τραπέζιού στο τραπέζι. Κρατήστε την εξωτερική φλάντζα με το κλειδί αντιστηρίγματος και ξεσφίξτε το εξαγωνικό παξιμάδι αριστερόστροφα με το κλειδί. Κατόπιν, αφαιρέστε την εξωτερική φλάντζα. Συναρμολογήστε την εσωτερική φλάντζα, το δακτύλιο, την πριονωτή λάμα, την εξωτερική φλάντζα και το εξαγωνικό παξιμάδι στον άξονα, αφού βεβαιωθείτε ότι τα δόντια της λάμας είναι στραμμένα προς τα κάτω μπροστά από το τραπέζι. Να τοποθετείτε πάντοτε το εξαγωνικό παξιμάδι ώστε η πλευρά με την εσοχή να είναι στραμμένη προς την εξωτερική φλάντζα. **(Εικ. 20)**

Για όλες τις χώρες εκτός Ευρώπης

ΠΡΟΣΟΧΗ:

- Ο ασπηνόσιος δακτύλιος με εξωτερική διάμετρο 25,4 mm είναι εργοστασιακά τοποθετημένος στον άξονα. Ο μαύρος δακτύλιος με εξωτερική διάμετρο 25 mm συμπεριλαμβάνεται ως στάνταρ εξοπλισμός. Πριν στερεώσετε τη λάμα επάνω στον άξονα, να βεβαιώνετε πάντοτε ότι ο σωστός δακτύλιος για την οπή άξονα της λάμας που σκοπεύετε να χρησιμοποιήσετε είναι τοποθετημένος στον άξονα.

Για ευρωπαϊκές χώρες

ΠΡΟΣΟΧΗ:

- Ο δακτύλιος με εξωτερική διάμετρο 30 mm είναι εργοστασιακά τοποθετημένος ανάμεσα από τις εσωτερικές και εξωτερικές φλάντζες.
- Διατηρείτε την επιφάνεια των φλαντζών καθαρή από σκόνη και άλλα σώματα που προσκολλώνται επειδή μπορεί να γλιστρήσει η λάμα. Βεβαιωθείτε ότι έχετε τοποθετήσει τη λάμα με τα δόντια ευθυγραμμισμένα με την κατεύθυνση κοπής (περιστροφική).

Για να ασφαλίσετε τη λάμα στη θέση της, κρατήστε την εξωτερική φλάντζα με το κλειδί αντιστηρίγματος και κατόπιν σφίξτε το εξαγωνικό παξιμάδι δεξιόστροφα με το κλειδί. **ΒΕΒΑΙΩΘΕΙΤΕ ΝΑ ΣΦΙΞΕΤΕ ΚΑΛΑ ΤΟ ΕΞΑΓΩΝΙΚΟ ΠΑΞΙΜΑΔΙ. (Εικ. 21)**

ΠΡΟΣΟΧΗ:

- Να βεβαιώνετε ότι κρατάτε προσεχτικά το εξαγωνικό παξιμάδι με το κλειδί. Αν σας γλιστρήσει η λαβή από το χέρι, μπορεί το κλειδί να βγει από το εξαγωνικό παξιμάδι και το χέρι σας να χτυπήσει επάνω στα αιχμηρά άκρα της λάμας.

Τοποθέτηση προφυλακτήρα λάμας (Εικ. 22 και 23)

ΠΡΟΣΟΧΗ:

- Πριν τοποθετήσετε τον προφυλακτήρα λάμας, ρυθμίστε το βάθος κοπής στη μέγιστη ανύψωση.

Για προφυλακτήρα λάμας τύπου χωρών εκτός Ευρώπης

Αφαιρέστε το κεντρικό κάλυμμα. Τοποθετήστε τη λεπίδα τεμαχισμού στο τμήμα στήριξης του προφυλακτήρα λάμας (υποστήριγμα). Σφίξτε τα εξαγωνικά μπουλόνια (Α) με το κλειδί που παρέχεται.

Για προφυλακτήρα λάμας τύπου Ευρώπης (Εικ. 24 και 25)

Αφαιρέστε το κεντρικό κάλυμμα. Τοποθετήστε τη λεπίδα τεμαχισμού στο τμήμα στήριξης του προφυλακτήρα λάμας (υποστήριγμα). Σφίξτε τα εξαγωνικά μπουλόνια (Α) με το κλειδί που παρέχεται.

Τοποθετήστε τον προφυλακτήρα λάμας στο αυλάκι επάνω στη λεπίδα τεμαχισμού. Ασφαλίστε τον προφυλακτήρα λάμας στρέφοντας το μοχλό στον προφυλακτήρα λάμας.

Για Ευρωπαϊκούς και μη Ευρωπαϊκούς τύπους προφυλακτικών δίσκων

Η θέση τοποθέτησης της λεπίδας τεμαχισμού είναι ρυθμισμένη εργοστασιακά ώστε η λάμα και η λεπίδα τεμαχισμού να βρίσκονται στην ίδια ευθεία. Ωστόσο, αν δεν βρίσκονται στην ίδια ευθεία, ξεσφίξτε τα εξαγωνικά μπουλόνια (Β) και ρυθμίστε το τμήμα στερέωσης του προφυλακτήρα λάμας (υποστήριγμα) ώστε η λεπίδα τεμαχισμού να είναι ευθυγραμμισμένη απευθείας πίσω από τη λάμα. Κατόπιν, σφίξτε τα εξαγωνικά μπουλόνια (Β) για να ασφαλίσει τη βάση. **(Εικ. 26)**

ΠΡΟΣΟΧΗ:

- Εάν η λάμα και η λεπίδα τεμαχισμού δεν είναι ευθυγραμμισμένες σωστά, μπορεί να προκύψει επικίνδυνη κατάσταση αποκοπής κατά τη λειτουργία. Βεβαιωθείτε ότι είναι ευθυγραμμισμένες σωστά. Μπορεί να υποστείτε σοβαρό προσωπικό τραυματισμό όταν χρησιμοποιείτε το εργαλείο χωρίς σωστά ευθυγραμμισμένη λεπίδα τεμαχισμού.
- Μην εκτελείτε ΠΟΤΕ τυχόν ρυθμίσεις ενώ το εργαλείο βρίσκεται σε λειτουργία. Αποσυνδέστε το εργαλείο από την πηγή τροφοδοσίας πριν εκτελέσετε τυχόν ρυθμίσεις.
- Μην αφαιρέσετε το μαχαίρι σχισίματος.

Θα πρέπει να υπάρχει μια απόσταση περίπου 4 - 5 mm μεταξύ του μαχαίριου σχισίματος και του δοντιού του δίσκου. Ξεσφίξτε τα εξάγωνα μπουλόνια (Α), ρυθμίστε το μαχαίρι σχισίματος κατάλληλα και σφίξτε καλά τα εξάγωνα μπουλόνια (Α). Συνδέστε το πρόσθετο της πλάκας στην πλάκα και μετά ελέγξτε να δείτε εάν ο προφυλακτήρας του δίσκου λειτουργεί ομαλά πριν από την κοπή. **(Εικ. 27)**

Τοποθέτηση και ρύθμιση του οδηγού κομματιού (Εικ. 28)

- 1) Προσαρμόστε το άγκιστρο στο επάνω μέρος του οδηγού κομματιού μέσα στο απομακρυσμένο οδηγό ράγας στο τραπέζι ή στο βοηθητικό τραπέζι (Δ) και τοποθετήστε και σπρώξτε τον οδηγό κομματιού προς τα εμπρός έτσι ώστε ο συγκρατητής οδηγού να συνδέεται με τον πιο κοντινό οδηγό ράγας.

Για να γλιστρήσετε τον οδηγό κομματιού πλαγίως επάνω στον οδηγό ράγας, στρέψτε το κουμπί επάνω στο συγκρατητή οδηγού κατά το μισό της διαδρομής του.

Για να ασφαλίσετε τον οδηγό κομματιού, στρέψτε πλήρως το κουμπί στο συγκρατητή οδηγού.

- 2) Για να γλιστρήσετε τον οδηγό κομματιού πλαγίως επάνω στον οδηγό ράγας, επιστρέψτε πλήρως το κουμπί επάνω στο συγκρατητή οδηγού χωρίς να τραβήξετε το μοχλό στο κουμπί.
- 3) Για να τον βγάλετε, τραβήξτε το μοχλό στο κουμπί και στρέψτε το κουμπί πλήρως προς τα εμπρός ενώ τραβάτε το μοχλό.

Για να ελέγξετε με βεβαιότητα ότι ο οδηγός κομματιού είναι παράλληλος με τη λάμα, ασφαλίστε τον οδηγό πριν ορισματος 2 έως 3 mm μακριά από τη λάμα. Ανυψώστε τη λάμα μέχρι τη μέγιστη ανύψωση. Σημαδεύστε ένα από τα δόντια της λάμας με ένα μαρκαδόρο. Μετρήστε την απόσταση (Α) και (Β) ανάμεσα από τον οδηγό κομματιού και τη λάμα. Πάρτε και τις δύο μετρήσεις χρησιμοποιώντας το δόντι που είναι σημειωμένο με το μαρκαδόρο. Αυτές οι δύο μετρήσεις θα πρέπει να είναι ίδιες. Εάν ο οδηγός κομματιού δεν είναι παράλληλος με τη λάμα, συνεχίστε ως εξής: **(Εικ. 29 και 30)**

1. Τοποθετήστε τον οδηγό κομματιού στη θέση ολίσθησης.
2. Ξεσφίξτε τα δύο εξαγωνικά μπουλόνια επάνω στον οδηγό κομματιού με το εξαγωνικό άλεν που παρέχεται.
3. Ρυθμίστε τον οδηγό κομματιού έως ότου να είναι παράλληλος με τη λάμα.
4. Στρέψτε προς τα κάτω το κουμπί στον οδηγό κομματιού προς τη μεριά του χειριστή.
5. Σφίξτε τα δύο εξαγωνικά μπουλόνια στον οδηγό κομματιού. **(Εικ. 31)**

ΠΡΟΣΟΧΗ:

- Βεβαιωθείτε να ρυθμίσετε τον οδηγό κομματιού ώστε να είναι παράλληλος με τη λάμα, διαφορετικά μπορεί να προκύψει επικίνδυνη κατάσταση κλοστήματος. Τη δηγ κμμάτιυ δεν μπρεί να στερεωθεί με ασφάλεια, ρυθμίστε τν σύμφωνα με την ακλυθη διαδικασια.
- (1) Τηθετήστε τν δηγ κμμάτιυ στ τραπέι και κατιπν περιστρέψτε τ κυμπί έω τα μέσα τη διαδρμή τ (θέση κίνηση). Σφίτε τη ίδα (Α) έω τυ ακινητηηθεί δηγ κμμάτιυ. Κατιπν εσφίτε κατά 1/4 έω 1/2 τη στρφή. **(Εικ. 32 και 33)**
 - (2) Σφίτε τη ίδα (Β) πλήρω και κατιπν εσφίτε περιπτυ 2 πλήρει στρφέ.
 - (3) Κλειδώστε τν δηγ κμμάτιυ περιστρέφντα πλήρω τ κυμπί στν συγκρατητή δηγύ (θέση κλειδώματ).
 - (4) Βεαιωθείτε τι δηγ κμμάτιυ μπρεί να πθητηθεί και να αφαιρεθεί απ την αρικη θέση (ελευθερωμένη θέση).
 - (5) Βεαιωθείτε τι δηγ κμμάτιυ μπρεί να λισθήσει μαλά ωφι να ταλαντώνεται ταν τ κυμπί ρίσκεται στα μέσα τη διαδρμή τυ.

ΠΡΟΣΟΧΗ:

- Πρσέτε να μη σφίτε τι ίδε περισστερ απ τ αθμ σφίματ πυ καθρίεται στι ανωτέρω δηγιέ. Αν δεν τηρείτε αυτήν την δηγια, μπρεί να πρκληθεί ημία στα στερεωμένα μέρη.

Φέρτε τον οδηγό κομματιού ώστε να εφαρμοστεί επάνω στην πλευρά της λάμας. Βεβαιωθείτε ότι η οδηγός γραμμή στο συγκρατητή του οδηγού δείχνει τις 0° της βαθμολογημένης κλίμακας. Αν η οδηγός γραμμή δεν δείχνει στις 0° της βαθμολογημένης κλίμακας, ξεσφίξτε τη

βίδα στην πινακίδα βαθμολογημένης κλίμακας και ρυθμίστε την πινακίδα βαθμολογημένης κλίμακας. **(Εικ. 34)**

Σύνδεση με μηχανή απορρόφησης υπό ΚΕΝΟ

Οι λειτουργίες μπορεί να είναι πιο καθαρές όταν εκτελούνται με συνδεδεμένο το εργαλείο με τη μηχανή απορρόφησης υπό κενό ή το συλλέκτη σκόνης της Makita. **(Εικ. 35)**

ΛΕΙΤΟΥΡΓΙΑ

ΠΡΟΣΟΧΗ:

- Να χρησιμοποιείτε πάντοτε «βοηθήματα εργασίας» όπως ράβδους προώθησης και εμπόδια προώθησης όταν υπάρχει κίνδυνος να βρεθούν κοντά στη λάμα τα χέρια ή τα δάκτυλά σας.
- Να κρατάτε πάντοτε το τεμάχιο εργασίας σταθερά με το τραπέζι και τον οδηγό κομματιού ή το μετρητή απόκλισης. Μην το λυγίζετε ούτε να το παραμορφώνετε ενώ τροφοδοτείτε. Εάν το τεμάχιο εργασίας είναι λυγισμένο ή παραμορφωμένο, μπορεί να παρουσιαστούν επικίνδυνα κλοστήματα.
- Μην αποσύρετε ΠΟΤΕ το τεμάχιο εργασίας ενώ η λάμα περιστρέφεται. Εάν πρέπει να αποσύρετε το τεμάχιο εργασίας πριν ολοκληρώσετε την κοπή, σβήστε πρώτα το εργαλείο ενώ κρατάτε το τεμάχιο εργασίας σταθερά. Περιμένετε έως ότου η λάμα να σταματήσει εντελώς πριν αποσύρετε το τεμάχιο εργασίας. Αν δεν το κάνετε αυτό, μπορεί να προκληθεί επικίνδυνο κλότσημα.
- Μην αφαιρείτε ΠΟΤΕ κομμένα κομμάτια ενώ η λάμα περιστρέφεται.
- Μη βάζετε ΠΟΤΕ τα χέρια ή τα δάκτυλα σας στην τροχιά της λάμας πριν ορισματος. Να είστε ιδιαίτερα προσεχτικοί στις λοξοτομές.
- Να ασφαλίσετε πάντοτε σταθερά τον οδηγό κομματιού, διαφορετικά μπορεί να παρουσιαστούν επικίνδυνα κλοστήματα.
- Πάντοτε να χρησιμοποιείτε βοηθήματα όπως ράβδους ώθησης και τεμάχια ώθησης όταν κόβετε μικρά ή στενά τεμάχια εργασίας.

Βοηθήματα εργασίας

Οι ράβδοι προώθησης, τα εμπόδια προώθησης και οι βοηθητικοί οδηγοί είναι τύποι «βοηθημάτων εργασίας». Να τους χρησιμοποιείτε ώστε να πριονίζετε με ασφάλεια και σιγουριά χωρίς την ανάγκη να έρθει οποιοδήποτε μέρος του χειριστή σε επαφή με τη λάμα.

Εμπόδιο προώθησης (Εικ. 36)

Χρησιμοποιείτε ένα κομμάτι κοντραπλακέ μεγέθους 19 mm.

Η λαβή θα πρέπει να είναι στο κέντρο του κομματιού κοντραπλακέ. Ασφαλίστε με κόλλα και ξυλόβιδες, όπως φαίνεται. Θα πρέπει πάντοτε να είναι κολλημένο στο κοντραπλακέ ένα μικρό κομμάτι ξύλου με διαστάσεις 9,5 mm x 8 mm x 50 mm για να μην αμβλύνεται η λάμα αν ο χειριστής πριονίζει κατά λάθος το εμπόδιο προώθησης. (Μη χρησιμοποιείτε ποτέ καρφιά μέσα σε εμπόδια προώθησης).

Βοηθητικός οδηγός (Εικ. 37)

Κατασκευάστε βοηθητικό οδηγό από κομμάτια κοντραπλακέ με διαστάσεις 9,5 mm και 19 mm.

Επένδυση ξύλου (οδηγός κομματιού) (Εικ. 38)

Θα πρέπει να χρησιμοποιείτε μια επένδυση ξύλου για κατεργασίες στις οποίες η λάμα πλησιάζει πολύ κοντά στον οδηγό κομματιού. Η επένδυση ξύλου του οδηγού κομματιού θα πρέπει να είναι ίδιου μεγέθους με τον οδηγό κομματιού. Βεβαιωθείτε ότι το κάτω μέρος της επένδυσης εφαρμόζει με την επιφάνεια του τραπεζιού.

Τεμαχισμός

ΠΡΟΣΟΧΗ:

- Όταν τεμαχίζετε, αφαιρέστε το μετρητή απόκλισης από το τραπέζι.
 - Όταν κόβετε μακριά ή μεγάλα τεμάχια εργασίας, πάντοτε να δίνετε την απαιτούμενη υποστήριξη πίσω από το τραπέζι. ΜΗΝ επιτρέπετε σε ένα μακρύ καθρόνι να μετακινείται ή να μεταβάλλει τη θέση του επάνω στο τραπέζι. Με αυτό το τρόπο θα προκληθεί δόσμευση της λάμας και αύξηση της πιθανότητας κλοστήματος και προσωπικού τραυματισμού. Η υποστήριξη θα πρέπει να είναι στο ίδιο ύψος με το ύψος του τραπεζιού.
- Ρυθμίστε το βάθος κοπής λίγο πιο πάνω από το πάχος του τεμαχίου εργασίας. (Εικ. 39)
 - Τοποθετήστε τον οδηγό κομματιού στο επιθυμητό πάχος τεμαχισμού και ασφαλίστε στη θέση αυτή στέφοντας τη λαβή. Πριν τεμαχίσετε, βεβαιωθείτε ότι το πίσω μέρος του οδηγού κομματιού είναι ασφαλισμένο σταθερά. Εάν δεν είναι ασφαλισμένο καλά, ακολουθήστε τις διαδικασίες στην ενότητα με τίτλο «Τοποθέτηση και ρύθμιση οδηγού κομματιού».
 - Θέστε το εργαλείο σε λειτουργία και τροφοδοτήστε αργά το τεμάχιο εργασίας προς τη λάμα μαζί με τον οδηγό κομματιού.

(1) Όταν το πλάτος τεμαχισμού είναι πλατύτερο από 150 mm, να χρησιμοποιείτε προσεκτικά το δεξί σας χέρι για να τροφοδοτείτε το τεμάχιο εργασίας. Να χρησιμοποιείτε το αριστερό σας χέρι για να κρατάτε το τεμάχιο εργασίας στη θέση δίπλα στον οδηγό κομματιού. (Εικ. 40)

(2) Όταν το πλάτος τεμαχισμού είναι 65 mm έως 150 mm, να χρησιμοποιείτε τη ράβδο προώθησης για να τροφοδοτείτε το τεμάχιο εργασίας. (Εικ. 41)

(3) Όταν το πλάτος τεμαχισμού είναι στενότερο από 65 mm, δεν μπορείτε να χρησιμοποιείτε τη ράβδο προώθησης επειδή θα χτυπήσει τον προφυλακτήρα λάμας. Να χρησιμοποιείτε το βοηθητικό οδηγό και το εμπόδιο προώθησης. Προσδέστε το βοηθητικό οδηγό στον οδηγό κομματιού με τους δύο σφιγκτήρες σε σχήμα C. (Εικ. 42)

Να τροφοδοτείτε το τεμάχιο εργασίας με το χέρι μέχρι το άκρο να απέχει 25 mm από το μπροστινό άκρο του τραπεζιού. Συνεχίστε την τροφοδοσία χρησιμοποιώντας το εμπόδιο προώθησης στο πάνω μέρος του βοηθητικού οδηγού έως ότου ολοκληρώσετε το κόψιμο. (Εικ. 43)

Διαμήκης κόψιμο

ΠΡΟΣΟΧΗ:

- Όταν εκτελείτε διαμήκη κόψιμο, αφαιρέστε τον οδηγό κομματιού από το τραπέζι.
- Όταν κόβετε μακριά ή μεγάλα τεμάχια εργασίας, πάντοτε να δίνετε την απαιτούμενη υποστήριξη στις

πλευρές του τραπεζιού. Η υποστήριξη θα πρέπει να είναι στο ίδιο ύψος με το ύψος του τραπεζιού.

- Να κρατάτε πάντοτε τα χέρια σας μακριά από την τροχιά της λάμας.

Μετρητής απόκλισης (Εικ. 44)

Χρησιμοποιείτε το μετρητή απόκλισης για τους 4 τύπους κοψίματος που απεικονίζονται στην εικόνα.

ΠΡΟΣΟΧΗ:

- Ασφαλίστε προσεκτικά το κουμπί στο μετρητή απόκλισης.
- Αποφύγετε το γλίστρημα του τεμαχίου εργασίας και του μέτρητη με κάποια διάταξη σταθερής συγκράτησης τεμαχίου, ειδικά εάν κόβετε υπό γωνία.
- Μην κρατάτε και μη σφίγγετε ΠΟΤΕ το τμήμα του τεμαχίου εργασίας που προορίζεται για κόψιμο.
- Να ρυθμίζετε πάντα την απόσταση μεταξύ του άκρου του μετρητή απόκλισης και της προιονωτής λάμας ώστε να μην υπερβαίνει τα 15 mm.

Θετικό στοπ μετρητή απόκλισης (Εικ. 45)

Ο μετρητής απόκλισης παρέχεται με θετικά στοπ στις 90° και 45° δεξιά και αριστερά των γωνιών απόκλισης για γρήγορη ρύθμιση των γωνιών απόκλισης.

Για να ρυθμίσετε τη γωνία απόκλισης, ξεσφίξτε το κουμπί στο μετρητή απόκλισης.

Ανυψώστε τη μικρή πλάκα του μετρητή απόκλισης για ελεύθερη ρύθμιση. Περιστρέψτε το μετρητή απόκλισης στην επιθυμητή γωνία απόκλισης. Επιστρέψτε τη μικρή πλάκα του μετρητή απόκλισης στην αρχική θέση και σφίξτε καλά το κουμπί δεξιόστροφα.

Χρήση μετρητή απόκλισης (Εικ. 46)

Περάστε το μετρητή απόκλισης μέσα στα μεγάλα αυλάκια του τραπεζιού. Ξεσφίξτε το κουμπί στο μετρητή και ευθυγραμμίστε στην επιθυμητή γωνία (0° έως 60°). Φέρτε το κομμάτι ώστε να εφαρμόζει εντελώς επάνω στο επίπεδο του οδηγού και προωθήστε απαλά προς τη λάμα.

Βοηθητική επένδυση ξύλου (μετρητής απόκλισης) (Εικ. 47)

Για να μην τρεμοπαίζει ένα μακρύ καθρόνι, προσαρμόστε το μετρητή απόκλισης με μια βοηθητική επένδυση ξύλου. Ασφαλίστε με μπουλόνια/παξιμόδια αφού ανοίξετε οπές με τρυπάνι. Όμως, τα εξαρτήματα σύνδεσης δεν θα πρέπει να προεξέχουν από την πρόσοψη του ξύλου.

Μεταφορά εργαλείου (Εικ. 48)

Μεταφέρετε το εργαλείο κρατώντας το μέρος του εργαλείου όπως απεικονίζεται στην εικόνα.

ΠΡΟΣΟΧΗ:

- Πάντα να στερεώνετε όλα τα κινητά μέρη προτού μεταφέρετε το εργαλείο.
- Να ελέγχετε πάντα εάν το προστατευτικό λεπίδας βρίσκεται στη θέση του πριν μεταφέρετε το εργαλείο.

ΣΥΝΤΗΡΗΣΗ

ΠΡΟΣΟΧΗ:

- Να βεβαιώνετε πάντοτε ότι το εργαλείο είναι σβηστό και αποσυνδεδεμένο από το ηλεκτρικό ρεύμα πριν εκτελέσετε οποιαδήποτε εργασία ελέγχου ή συντήρησης σε αυτό.

- Μην χρησιμοποιήσετε βενζίνη, βενζόλη, διαλυτικό, αλκοόλη ή κάτι παρόμοιο. Μπορεί να προκληθεί αποχρωματισμός, παραμόρφωση ή ρωγμές.

Καθαρισμός

Καθαρίστε τη σκόνη πρινόσματος και τα πρινόνια από καιρό σε καιρό. Καθαρίστε προσεκτικά τον προφυλακτήρα της λάμας και τα κινούμενα μέρη μέσα στο τραπέζι πρινόσματος.

Λίπανση

Για να κρατάτε το τραπέζι πρινόσματος στη βέλτιστη κατάσταση λειτουργίας και για να εξασφαλίσετε τη μέγιστη ζωή λειτουργίας, να λιπαίνετε με λάδι ή γράσο τα κινούμενα και περιστρεφόμενα μέρη από καιρό σε καιρό. Μέρη για λίπανση:

- Αξονίσκος με σπείρωμα για ανύψωση της λάμας
- Εύκαμπτος σύνδεσμος για την περιστροφή του πλαισίου
- Αξονες οδηγών ανύψωσης στο μοτέρ
- Μηχανισμός ανύψωσης λάμας
- Οδηγός ράγας για τον οδηγό κομματιού
- Αξονας των μοχλών ασφάλισης του βοηθητικού τραπέζιου (δεξιό)
- Τμήμα ολίσθησης του βοηθητικού τραπέζιου (δεξιό)

Αλλαγή καρβουνακίων (Εικ. 49)

Αφαιρείτε και ελέγχετε τα καρβουνακία τακτικά. Αντικαταστήστε τα όταν έχουν φθαρεί έως την ένδειξη ορίου. Να διατηρείτε τα καρβουνακία καθαρά και ελεύθερα για να γλιστρούν στις υποδοχές. Πρέπει να αλλάζετε ταυτόχρονα και τα δύο καρβουνακία. Να χρησιμοποιείτε μόνο καρβουνακία ίδιου τύπου.

Με τη βοήθεια ενός κατασβιδιού, βγάλτε τα καπάκια της υποδοχής για τα καρβουνακία. Για να αλλάξετε τα καρβουνακία, αφαιρέστε το προφυλακτήρα λάμας και τη λάμα και κατόπιν ξεσφίξτε το μοχλό ασφάλισης, γείρετε την κεφαλή πρινόσματος και ασφαλίστε την υπό γωνία λοξοτομής 45°. Ακουμπήστε το εργαλείο επάνω στον εαυτό του ανάποδα. Κατόπιν, ξεσφίξτε το καπάκι της υποδοχής για τα καρβουνακία. Βγάλτε τα φθαρμένα καρβουνακία, τοποθετήστε τα καινούργια και ασφαλίστε τα καπάκια της υποδοχής για τα καρβουνακία. (Εικ. 50) Για να διατηρείται η ΑΣΦΑΛΕΙΑ και η ΑΞΙΟΠΙΣΤΙΑ του προϊόντος, οι εργασίες επισκευής, καθώς και οποιαδήποτε άλλη εργασία συντήρησης ή ρύθμισης, θα πρέπει να εκτελούνται σε εξουσιοδοτημένα κέντρα εξυπηρέτησης της Makita, και πάντοτε με τη χρήση ανταλλακτικών της Makita.

ΕΞΑΡΤΗΜΑΤΑ

ΠΡΟΣΟΧΗ:

- Συνιστάται η χρήση των παρακάτω αξεσουάρ και εξαρτημάτων με το εργαλείο της Makita μόνο όπως καθορίζεται στο παρόν εγχειρίδιο. Αν χρησιμοποιήσετε άλλα αξεσουάρ ή εξαρτήματα μπορεί να παρουσιαστεί κίνδυνος για πρόκληση ατομικού τραυματισμού. Να χρησιμοποιείτε τα αξεσουάρ και τα εξαρτήματα μόνο για το σκοπό για τον οποίο προορίζονται.

Αν χρειάζεστε κάποια βοήθεια ή περισσότερες πληροφορίες σχετικά με τα αξεσουάρ αυτά, απευθυνθείτε στο πλησιέστερο κέντρο εξυπηρέτησης της Makita.

Βάση τραπέζιου (προαιρετικό εξάρτημα)

Ανατρέξτε στο εγχειρίδιο οδηγιών για τη βάση τραπέζιου πρινόσματος που συνοδεύει τη βάση τραπέζιου πρινόσματος ως προαιρετικό εξάρτημα.

- Πριονωτές λάμες με μύτες από αστάλι και καρβίδιο
- Βοηθητικό τραπέζι (αριστερό)
- Βοηθητικό τραπέζι (πίσω)
- Οδηγός κομματιού
- Μετρητής απόκλισης
- Κλειδί αντιστηρίγματος 13 – 22
- Κλειδί 19
- Εξαγωνικό άλεν 5
- Σύνδεσμος (για σύνδεση με τη μηχανή συλλογής σκόνης)
- Βοηθητική πλάκα
- βάση
- Κυλιόμενος οδηγός

Θόρυβος

ENG905-1

Το σύνθετες σταθμισμένο επίπεδο θορύβου που έχει καθοριστεί σύμφωνα με την EN61029:

Επίπεδο ηχητικής πίεσης (L_{PA}): 94 dB (A)
Επίπεδο ηχητικής ισχύος (L_{WA}): 107 dB (A)
Αβεβαιότητα (K): 3 dB (A)

Να φοράτε ωτοασπίδες.

Για Ευρωπαϊκές χώρες μόνο

ENH003-13

ΕΚ – Δήλωση συμμόρφωσης

Η Εταιρία Makita ως υπεύθυνος κατασκευαστής, δηλώνει ότι το παρακάτω μηχάνημα ή μηχανήματα της Makita:

Όνομασία Μηχανήματος:

Τραπέζι πρινόσματος

Αρ. Μοντέλου/ Τύπος: 2704

αποτελεί παραγωγή σε σειρά και

Συμμορφώνεται με τις ακόλουθες Ευρωπαϊκές Οδηγίες:

2006/42/EK

Και κατασκευάζεται σύμφωνα με τα παρακάτω πρότυπα ή τυποποιημένα έγγραφα:

EN61029

Ο εξουσιοδοτημένος μας αντιπρόσωπος στην Ευρώπη διατηρεί τα τεχνικά έγγραφα, ο οποίος είναι:

Makita International Europe Ltd.,
Michigan Drive, Tongwell,
Milton Keynes, Bucks MK15 8JD, England

21. 4. 2010



Tomoyasu Kato

Διευθυντής

Makita Corporation

3-11-8, Sumiyoshi-cho,

Anjo, Aichi, 446-8502, JAPAN

Makita Corporation
Anjo, Aichi, Japan

www.makita.com

884599F998

ALA